

Katalog - Okov za vrata

2021



VABIS[®]



VABIS D.O.O. Aleksinac je nastao 1987 godine u Aleksincu, kao mala zanatska radionica, čija je hronologija razvoja sledeća:

- 1992 godine počinje da se bavi proizvodnjom okretnog okova za vrata i prozore,
- 1995 godine počinje da osvaja proizvodnju okretno-nagibnog okova za drvo,
- 2000 godine počinje sa osvajanjem i proizvodnjom okretno nagibnog okova za PVC profile,
- 2007godine počinje osvajanje, a krajem godine i proizvodnju okova za Aluminijske prozore novije generacije,
- 2008 godine dobija TUV-NORD certifikat za sistem menadžmenta na osnovu EN ISO 9001:2000.
- 2011 Resertifikacija sistema kvaliteta i dobijanje sertifikata EN ISO 9001:2008.
- 2011 Dobija atest za okov prema EN 12400 i EN 13115 u renomiranom institutu if ROSENHEIM
- 2015 Dobija atest za okov prema EN 13126-16 u renomiranom institutu if ROSENHEIM.

VABIS D.O.O. je danas jedno ozbiljno preduzeće koje upošljava ukupno preko 80 radnika, od kojih jedan broj radi neposredno u VABIS-U a ostali su kooperanti, koji učestvuju u izradi pojedinih komponenti za VABIS-ove proizvode. Proizvodnja se obavlja u nekoliko različitih odeljenja: preseraj, livnica, mašinska obrada, gde se vrši izrada pozicija koji se ugrađuju u okov, zatim svi elementi odlaze u galvanizaciju, na površinsku zaštitu. Zaštićeni elementi se transportuju u magacin poluproizvoda, a odatle na montažnu liniju gde se vrši sklapanje elemenata, uz 100% kontrolu svih elemenata koji silaze sa monta ne trake. VABIS poseduje sopstvenu razvojnu službu i sopstvenu laboratoriju za ispitivanje okova u kojima se svaki pojedinačni deo okovapažljivo konstruiše, a zatim dugotrajno ispituje u simuliranim najtežim uslovima eksploatacije koje okov može da ima na terenu.

Takođe posedujemo veoma dobro opremljenu alatnicu za izradu alata za sopstvene potrebe, sa CNC mašinama, koje nam omogućavaju izradu kvalitetnih alata, a samim tim i gotovih proizvoda.



VABIS D.O.O. Aleksinac is founded in 1987 in Aleksinac as a small workshop and developed in several phases

- In 1992 started to produce turn door and window fittings
- In 1995 started to produce tilt and turn window fittings for wooden windows
- In 2000 started to produce tilt and turn window fittings for PVC windows
- In 2007 Started to produce tilt and turn window fittings for Aluminium windows
- In 2008 gains TUV-NORD certificate for QMS according to EN ISO 9001:2000
- In 2011 resertification of quality management system and gaining new certificate EN ISO 9001:2008
- In 2011 we gain the certificate according to EN 12400 and EN 13115 from one of the famous institute IFT Rosenheim
- In 2015 we gain the certificate according to EN 13126-16 for lift and slide window hardware, from one of the famous institute IFT Rosenheim



VABIS D.O.O. today is widely respected firm with more than 80 employees of which one part works directly in VABIS D.O.O. and others are cooperants. We produce our elements in several departments: diecasting department, department with presses, galvanizing department, department of automatic lathes, special tools department... Vabis D.O.O has his own development department and his own testing laboratory where every single part is tested in every possible condition. All elements are passing 100% control all along production line.

POLITIKA KVALITETA za 2020. god.

Politika kvaliteta se zasniva na marketinški orijentisanom poslovnom sistemu čiji je osnovni zadatak, kontinuirano zadovoljenje kupaca.

U tom pogledu utvrđeni su sledeći principi:

- 1. Kvalitet proizvoda koji u potpunosti zadovoljavaju zahteve, potrebe i očekivanja zainteresovanih strana su prvi poslovni prioriteti u svim našim procesima.*
- 2. Ispunjavanje zahteva sistema upravljanja kvalitetom, i poboljšanje njegove efektivnosti je stalan zadatak svih zaposlenih u Vabis-u.*
- 3. Neprekidan razvoj novih proizvoda, usavršavanje postojećih i njihovo usaglašavanje sa pripadajućim standardima je jedna od osnova razvoja Vabis-a. Podizanje nivoa produktivnosti proizvodnje i kvaliteta izrade proizvoda i alata se odvija u kontinuitetu što se postiže i obezbeđenjem potrebnih resursa.*
- 4. Unapređenje i poboljšanje partnerskih odnosa sa kupcima i isporučiocima je trajna orijentacija Vabis-a u okviru svog poslovanja.*
- 5. Cilj je povećanje udela na postojećim tržištima, kao i osvajanje novih, što bi donelo u ovoj godini povećanje prodaje za 10%.*
- 6. Sprovođenje zaštite životne sredine u Vabis-u se vrši u skladu sa važećim zakonskim propisima.*
- 7. Naš cilj u 2020. godini je da podignemo broj urađenih garnitura po jednom radniku na mesečnom nivou za 5%.*
- 8. Automatizacija procesa montaže delova je prioritet u investicijama, kao i instalacija nove opreme u livnici i farbari.*
- 9. Maksimalna zaštita zdravlja i bezbednosti na radu zaposlenih je jedno od opredeljenja rukovodstva Vabis-a, što podrazumeva poštovanje zakonskih odredbi. Stalno unapređenje zdravlja i bezbednosti zaposlenih sa neprekidnim preduzimanjem preventivnih mera radi sprečavanja opasnosti i rizika svih vrsta, je osnovni cilj rukovodstva Vabis-a.*
- 10. Redovno pratimo i analiziramo efektivnost naših procesa troškove kvaliteta, zdravlja i informišemo zaposlene o ukupno ostvarenim poslovnim rezultatima.*

29.12.2019. god.

Generalni direktor
Vanko Stošić



CERTIFICATE

Management system as per
ISO 9001 : 2015

In accordance with TÜV NORD CERT procedures, it is hereby certified that

VABIS D.O.O.
18220 Aleksinac
Tihomira Djordjevica strasse bb
Serbia



applies a management system in line with the above standard for the following scope

**Design, development, manufacture and distribution of builders
hardware for doors and windows**

Certificate Registration No. 44 100 080241
Audit Report No. 3526 2285

End of validity of previous certificate: 2020-02-21
Valid from 2020-04-05
Valid until 2023-02-21
Initial certification 2008


Certification Body
at TÜV NORD CERT GmbH

Essen, 2020-04-05

This certification was conducted in accordance with the TÜV NORD CERT auditing and certification procedures and is subject to regular surveillance audits.

TÜV NORD CERT GmbH

Langemarckstraße 20

45141 Essen

www.tuev-nord-cert.com



Deutsche
Akkreditierungsstelle
D-ZM-12007-01-00



**INSTITUTE OF PRECISION MECHANICS
CERTIFICATION DEPARTMENT**

01-796 Warszawa, ul. Duchnicka 3

phone 22 663-43-24, 22 560-28-00 e-mail: certyfikacja.imp@imp.edu.pl
<http://www.imp.edu.pl>



AC 041

CERTIFICATE OF CONFORMITY
No. P41/024/2020 (7960)
ENGLISH EDITION

Name and address of the certificate owner:

Vabis d.o.o.
Tihomira Djordjevica bb 18220 Aleksinac, Serbia

Name and address of the manufacturer:

Vabis d.o.o.
Tihomira Djordjevica bb 18220 Aleksinac, Serbia

Product name:

Mortice lock

Type (variants):

70610

Main features:

Class of protection: **- 2 -** PN-EN 12209:2016-04

1	2	3	4	5	6	7	8
Category of use	No of test cycles/ durability	Door mass	Fire resistance	Safety in use	Corrosion resistance	Protection requirements	Key identification
2	C	1	0	0	C	2	0

The product fulfills requirements of:

PN-EN 12209: 2016-04

Date of expiration: **February 26, 2023**

This certificate is valid **from February 27, 2020 until February 26, 2023** only for products covered by application No. 231/W/2018, provided that the technical specification is valid, item fulfills its requirements and there were no major changes in: product type, system, conditions and the place of the production .

Certification of conformity Type „ 3” acc. to PN-EN ISO/IEC 17067: 2014-01.

Certificate of conformity issued acc. to the program PC-03 (IMP)

**MANAGER
CERTIFICATION DEPARTMENT**

Marek ZIĘTAŁA M.Sc. Eng.



DIRECTOR OF THE INSTITUTE

Tomasz BABUL Ph.D. D.Sc. Eng. prof. IMP

Certificate can be published only by Certificate Owner without comments, abbreviations and changes.
Warsaw, February 27, 2020

14000 KRAGUEVAC
 Trg Topoljska br 4
 Telefon: (043)23-220
 Lokal: 28-34
 Tel/Fax: (034) 335-636
 e-mail: cenlab@zastava.net

12 100 20566 TMS

IZVEŠTAJ O ISPITIVANJU
 EVIDENCIONI BROJ
 001579/2004-0

DATUM IZDAVANJA
 07.12.2004
 KRAGUEVAC

ИСПИТИВАЊЕ ЛМС Д.О.О
 19000 Београд, Пастерова бр. 634
 Контакт: Милош Милошевић, Контакт: 011 361 641 530

IMS INSTITUTE
 11000 Београд, Подвиздрга П.Б. 634
 Контакт: Јелена Милошевић, Контакт: 011 360 822 или 011 361 641 533

Предмет: Испитивање квалитета garniture универзалног оква "VABIS" који се уградње на дрвене и PVC-профиле

Naručilac: "VABIS", Aleksina, Tibomira Đorđevića б.б.

Zahlev broj: IMS 2021-143 od 08.09.2003.

Na osnovu Izveštaja broj GS-47003 Laboratorije TMS otkriveno se sledeće

OCENA REZULTATA ISPITIVANJA

Na osnovu rezultata ispitivanja zaključuje se da univerzalna garnitura okvira "VABIS" sa staničnim mehanikim otpornosti okvira pismu deklinaciji vetra i trajnosti (održljivosti) u upotrebi, kao i potpuno nije za stvaranje i zatvaranje zračnog ZABOVLJAVIA zaključke iz standarda DIN 18855:1981 za kategoriju prozora "C", kao i zaključke iz standarda JEN D.8.193:1982 za kategoriju prozora "T".

Beograd, 15.10.2003.

INSTITUT IMS, A.D.
 Direktor Centra za analitičku iftku, drvo i sintetičke materijale,
 Leposava Đorđević
 Stručnjak Novosokoljević

11000 Београд, Подвиздрга П.Б. 634
 Контакт: Милош Милошевић, Контакт: 011 361 641 530
 E-MAIL: IMS@IMS.A.D.

11000 Београд, Подвиздрга П.Б. 634
 Контакт: Јелена Милошевић, Контакт: 011 360 822 или 011 361 641 533
 E-MAIL: IMS@IMS.A.D.

КОПИЈА
 ГОССТАНДАРТ
 № 0278227
 Сертификат А

СЕРТИФИКАТ СООТВЕТСТВИЯ

Зарегистрирован в реестре
 № ВУ112.04.01.031.0028
 Срок действия с 10.01.2013 г. по 09.01.2018 г.

Аккредитованный орган по сертификации продукции и услуг ЗАО "Технический институт сертификации и испытаний" 220114 г. Минск, ул. Минина, 15, комн. 1, тел. 219-00-70, факс 226-36-71.

Настоящий сертификат удостоверяет, что идентифицированная должным образом продукция, изготовленная Обществом с ограниченной ответственностью "Минский Дом Окно", Республика Беларусь, и представленная на сертификацию под наименованием Окна и балконные двери из ПВХ, профиля "VABIS", системы "VABIS" окна и в (PVC) со стекломатом СТД 415-14А-4-16А-14 для жилых и общественных зданий по СТБ 1108-98 "Окна и балконные двери из поливинилхлоридного профиля. ПВХ. Серийное производство" код ОКР РБ - 25.23.14 код ТН ВЕД ЕА - 9525.20.000.0

Соответствует требованиям технических нормативных правовых актов: ТУ 2009/013187 "Здания и сооружения, строительные материалы и изделия. Безопасность", СТБ 1108-98, ил. 4.2, 4.3, 4.4, 4.5, 4.6, 4.7, 4.8, 4.9, 4.10, 4.11, 4.12, 4.13, 4.14, 4.15, 4.16, 4.17, 4.18, 4.19, 4.20, 4.21, 4.22, 4.23, 4.24, 4.25, 4.26, 4.27, 4.28, 4.29, 4.30, 4.31, 4.32, 4.33, 4.34, 4.35, 4.36, 4.37, 4.38, 4.39, 4.40, 4.41, 4.42, 4.43, 4.44, 4.45, 4.46, 4.47, 4.48, 4.49, 4.50, 4.51, 4.52, 4.53, 4.54, 4.55, 4.56, 4.57, 4.58, 4.59, 4.60, 4.61, 4.62, 4.63, 4.64, 4.65, 4.66, 4.67, 4.68, 4.69, 4.70, 4.71, 4.72, 4.73, 4.74, 4.75, 4.76, 4.77, 4.78, 4.79, 4.80, 4.81, 4.82, 4.83, 4.84, 4.85, 4.86, 4.87, 4.88, 4.89, 4.90, 4.91, 4.92, 4.93, 4.94, 4.95, 4.96, 4.97, 4.98, 4.99, 5.00, 5.01, 5.02, 5.03, 5.04, 5.05, 5.06, 5.07, 5.08, 5.09, 5.10, 5.11, 5.12, 5.13, 5.14, 5.15, 5.16, 5.17, 5.18, 5.19, 5.20, 5.21, 5.22, 5.23, 5.24, 5.25, 5.26, 5.27, 5.28, 5.29, 5.30, 5.31, 5.32, 5.33, 5.34, 5.35, 5.36, 5.37, 5.38, 5.39, 5.40, 5.41, 5.42, 5.43, 5.44, 5.45, 5.46, 5.47, 5.48, 5.49, 5.50, 5.51, 5.52, 5.53, 5.54, 5.55, 5.56, 5.57, 5.58, 5.59, 5.60, 5.61, 5.62, 5.63, 5.64, 5.65, 5.66, 5.67, 5.68, 5.69, 5.70, 5.71, 5.72, 5.73, 5.74, 5.75, 5.76, 5.77, 5.78, 5.79, 5.80, 5.81, 5.82, 5.83, 5.84, 5.85, 5.86, 5.87, 5.88, 5.89, 5.90, 5.91, 5.92, 5.93, 5.94, 5.95, 5.96, 5.97, 5.98, 5.99, 6.00, 6.01, 6.02, 6.03, 6.04, 6.05, 6.06, 6.07, 6.08, 6.09, 6.10, 6.11, 6.12, 6.13, 6.14, 6.15, 6.16, 6.17, 6.18, 6.19, 6.20, 6.21, 6.22, 6.23, 6.24, 6.25, 6.26, 6.27, 6.28, 6.29, 6.30, 6.31, 6.32, 6.33, 6.34, 6.35, 6.36, 6.37, 6.38, 6.39, 6.40, 6.41, 6.42, 6.43, 6.44, 6.45, 6.46, 6.47, 6.48, 6.49, 6.50, 6.51, 6.52, 6.53, 6.54, 6.55, 6.56, 6.57, 6.58, 6.59, 6.60, 6.61, 6.62, 6.63, 6.64, 6.65, 6.66, 6.67, 6.68, 6.69, 6.70, 6.71, 6.72, 6.73, 6.74, 6.75, 6.76, 6.77, 6.78, 6.79, 6.80, 6.81, 6.82, 6.83, 6.84, 6.85, 6.86, 6.87, 6.88, 6.89, 6.90, 6.91, 6.92, 6.93, 6.94, 6.95, 6.96, 6.97, 6.98, 6.99, 7.00, 7.01, 7.02, 7.03, 7.04, 7.05, 7.06, 7.07, 7.08, 7.09, 7.10, 7.11, 7.12, 7.13, 7.14, 7.15, 7.16, 7.17, 7.18, 7.19, 7.20, 7.21, 7.22, 7.23, 7.24, 7.25, 7.26, 7.27, 7.28, 7.29, 7.30, 7.31, 7.32, 7.33, 7.34, 7.35, 7.36, 7.37, 7.38, 7.39, 7.40, 7.41, 7.42, 7.43, 7.44, 7.45, 7.46, 7.47, 7.48, 7.49, 7.50, 7.51, 7.52, 7.53, 7.54, 7.55, 7.56, 7.57, 7.58, 7.59, 7.60, 7.61, 7.62, 7.63, 7.64, 7.65, 7.66, 7.67, 7.68, 7.69, 7.70, 7.71, 7.72, 7.73, 7.74, 7.75, 7.76, 7.77, 7.78, 7.79, 7.80, 7.81, 7.82, 7.83, 7.84, 7.85, 7.86, 7.87, 7.88, 7.89, 7.90, 7.91, 7.92, 7.93, 7.94, 7.95, 7.96, 7.97, 7.98, 7.99, 8.00, 8.01, 8.02, 8.03, 8.04, 8.05, 8.06, 8.07, 8.08, 8.09, 8.10, 8.11, 8.12, 8.13, 8.14, 8.15, 8.16, 8.17, 8.18, 8.19, 8.20, 8.21, 8.22, 8.23, 8.24, 8.25, 8.26, 8.27, 8.28, 8.29, 8.30, 8.31, 8.32, 8.33, 8.34, 8.35, 8.36, 8.37, 8.38, 8.39, 8.40, 8.41, 8.42, 8.43, 8.44, 8.45, 8.46, 8.47, 8.48, 8.49, 8.50, 8.51, 8.52, 8.53, 8.54, 8.55, 8.56, 8.57, 8.58, 8.59, 8.60, 8.61, 8.62, 8.63, 8.64, 8.65, 8.66, 8.67, 8.68, 8.69, 8.70, 8.71, 8.72, 8.73, 8.74, 8.75, 8.76, 8.77, 8.78, 8.79, 8.80, 8.81, 8.82, 8.83, 8.84, 8.85, 8.86, 8.87, 8.88, 8.89, 8.90, 8.91, 8.92, 8.93, 8.94, 8.95, 8.96, 8.97, 8.98, 8.99, 9.00, 9.01, 9.02, 9.03, 9.04, 9.05, 9.06, 9.07, 9.08, 9.09, 9.10, 9.11, 9.12, 9.13, 9.14, 9.15, 9.16, 9.17, 9.18, 9.19, 9.20, 9.21, 9.22, 9.23, 9.24, 9.25, 9.26, 9.27, 9.28, 9.29, 9.30, 9.31, 9.32, 9.33, 9.34, 9.35, 9.36, 9.37, 9.38, 9.39, 9.40, 9.41, 9.42, 9.43, 9.44, 9.45, 9.46, 9.47, 9.48, 9.49, 9.50, 9.51, 9.52, 9.53, 9.54, 9.55, 9.56, 9.57, 9.58, 9.59, 9.60, 9.61, 9.62, 9.63, 9.64, 9.65, 9.66, 9.67, 9.68, 9.69, 9.70, 9.71, 9.72, 9.73, 9.74, 9.75, 9.76, 9.77, 9.78, 9.79, 9.80, 9.81, 9.82, 9.83, 9.84, 9.85, 9.86, 9.87, 9.88, 9.89, 9.90, 9.91, 9.92, 9.93, 9.94, 9.95, 9.96, 9.97, 9.98, 9.99, 10.00, 10.01, 10.02, 10.03, 10.04, 10.05, 10.06, 10.07, 10.08, 10.09, 10.10, 10.11, 10.12, 10.13, 10.14, 10.15, 10.16, 10.17, 10.18, 10.19, 10.20, 10.21, 10.22, 10.23, 10.24, 10.25, 10.26, 10.27, 10.28, 10.29, 10.30, 10.31, 10.32, 10.33, 10.34, 10.35, 10.36, 10.37, 10.38, 10.39, 10.40, 10.41, 10.42, 10.43, 10.44, 10.45, 10.46, 10.47, 10.48, 10.49, 10.50, 10.51, 10.52, 10.53, 10.54, 10.55, 10.56, 10.57, 10.58, 10.59, 10.60, 10.61, 10.62, 10.63, 10.64, 10.65, 10.66, 10.67, 10.68, 10.69, 10.70, 10.71, 10.72, 10.73, 10.74, 10.75, 10.76, 10.77, 10.78, 10.79, 10.80, 10.81, 10.82, 10.83, 10.84, 10.85, 10.86, 10.87, 10.88, 10.89, 10.90, 10.91, 10.92, 10.93, 10.94, 10.95, 10.96, 10.97, 10.98, 10.99, 11.00, 11.01, 11.02, 11.03, 11.04, 11.05, 11.06, 11.07, 11.08, 11.09, 11.10, 11.11, 11.12, 11.13, 11.14, 11.15, 11.16, 11.17, 11.18, 11.19, 11.20, 11.21, 11.22, 11.23, 11.24, 11.25, 11.26, 11.27, 11.28, 11.29, 11.30, 11.31, 11.32, 11.33, 11.34, 11.35, 11.36, 11.37, 11.38, 11.39, 11.40, 11.41, 11.42, 11.43, 11.44, 11.45, 11.46, 11.47, 11.48, 11.49, 11.50, 11.51, 11.52, 11.53, 11.54, 11.55, 11.56, 11.57, 11.58, 11.59, 11.60, 11.61, 11.62, 11.63, 11.64, 11.65, 11.66, 11.67, 11.68, 11.69, 11.70, 11.71, 11.72, 11.73, 11.74, 11.75, 11.76, 11.77, 11.78, 11.79, 11.80, 11.81, 11.82, 11.83, 11.84, 11.85, 11.86, 11.87, 11.88, 11.89, 11.90, 11.91, 11.92, 11.93, 11.94, 11.95, 11.96, 11.97, 11.98, 11.99, 12.00, 12.01, 12.02, 12.03, 12.04, 12.05, 12.06, 12.07, 12.08, 12.09, 12.10, 12.11, 12.12, 12.13, 12.14, 12.15, 12.16, 12.17, 12.18, 12.19, 12.20, 12.21, 12.22, 12.23, 12.24, 12.25, 12.26, 12.27, 12.28, 12.29, 12.30, 12.31, 12.32, 12.33, 12.34, 12.35, 12.36, 12.37, 12.38, 12.39, 12.40, 12.41, 12.42, 12.43, 12.44, 12.45, 12.46, 12.47, 12.48, 12.49, 12.50, 12.51, 12.52, 12.53, 12.54, 12.55, 12.56, 12.57, 12.58, 12.59, 12.60, 12.61, 12.62, 12.63, 12.64, 12.65, 12.66, 12.67, 12.68, 12.69, 12.70, 12.71, 12.72, 12.73, 12.74, 12.75, 12.76, 12.77, 12.78, 12.79, 12.80, 12.81, 12.82, 12.83, 12.84, 12.85, 12.86, 12.87, 12.88, 12.89, 12.90, 12.91, 12.92, 12.93, 12.94, 12.95, 12.96, 12.97, 12.98, 12.99, 13.00, 13.01, 13.02, 13.03, 13.04, 13.05, 13.06, 13.07, 13.08, 13.09, 13.10, 13.11, 13.12, 13.13, 13.14, 13.15, 13.16, 13.17, 13.18, 13.19, 13.20, 13.21, 13.22, 13.23, 13.24, 13.25, 13.26, 13.27, 13.28, 13.29, 13.30, 13.31, 13.32, 13.33, 13.34, 13.35, 13.36, 13.37, 13.38, 13.39, 13.40, 13.41, 13.42, 13.43, 13.44, 13.45, 13.46, 13.47, 13.48, 13.49, 13.50, 13.51, 13.52, 13.53, 13.54, 13.55, 13.56, 13.57, 13.58, 13.59, 13.60, 13.61, 13.62, 13.63, 13.64, 13.65, 13.66, 13.67, 13.68, 13.69, 13.70, 13.71, 13.72, 13.73, 13.74, 13.75, 13.76, 13.77, 13.78, 13.79, 13.80, 13.81, 13.82, 13.83, 13.84, 13.85, 13.86, 13.87, 13.88, 13.89, 13.90, 13.91, 13.92, 13.93, 13.94, 13.95, 13.96, 13.97, 13.98, 13.99, 14.00, 14.01, 14.02, 14.03, 14.04, 14.05, 14.06, 14.07, 14.08, 14.09, 14.10, 14.11, 14.12, 14.13, 14.14, 14.15, 14.16, 14.17, 14.18, 14.19, 14.20, 14.21, 14.22, 14.23, 14.24, 14.25, 14.26, 14.27, 14.28, 14.29, 14.30, 14.31, 14.32, 14.33, 14.34, 14.35, 14.36, 14.37, 14.38, 14.39, 14.40, 14.41, 14.42, 14.43, 14.44, 14.45, 14.46, 14.47, 14.48, 14.49, 14.50, 14.51, 14.52, 14.53, 14.54, 14.55, 14.56, 14.57, 14.58, 14.59, 14.60, 14.61, 14.62, 14.63, 14.64, 14.65, 14.66, 14.67, 14.68, 14.69, 14.70, 14.71, 14.72, 14.73, 14.74, 14.75, 14.76, 14.77, 14.78, 14.79, 14.80, 14.81, 14.82, 14.83, 14.84, 14.85, 14.86, 14.87, 14.88, 14.89, 14.90, 14.91, 14.92, 14.93, 14.94, 14.95, 14.96, 14.97, 14.98, 14.99, 15.00, 15.01, 15.02, 15.03, 15.04, 15.05, 15.06, 15.07, 15.08, 15.09, 15.10, 15.11, 15.12, 15.13, 15.14, 15.15, 15.16, 15.17, 15.18, 15.19, 15.20, 15.21, 15.22, 15.23, 15.24, 15.25, 15.26, 15.27, 15.28, 15.29, 15.30, 15.31, 15.32, 15.33, 15.34, 15.35, 15.36, 15.37, 15.38, 15.39, 15.40, 15.41, 15.42, 15.43, 15.44, 15.45, 15.46, 15.47, 15.48, 15.49, 15.50, 15.51, 15.52, 15.53, 15.54, 15.55, 15.56, 15.57, 15.58, 15.59, 15.60, 15.61, 15.62, 15.63, 15.64, 15.65, 15.66, 15.67, 15.68, 15.69, 15.70, 15.71, 15.72, 15.73, 15.74, 15.75, 15.76, 15.77, 15.78, 15.79, 15.80, 15.81, 15.82, 15.83, 15.84, 15.85, 15.86, 15.87, 15.88, 15.89, 15.90, 15.91, 15.92, 15.93, 15.94, 15.95, 15.96, 15.97, 15.98, 15.99, 16.00, 16.01, 16.02, 16.03, 16.04, 16.05, 16.06, 16.07, 16.08, 16.09, 16.10, 16.11, 16.12, 16.13, 16.14, 16.15, 16.16, 16.17, 16.18, 16.19, 16.20, 16.21, 16.22, 16.23, 16.24, 16.25, 16.26, 16.27, 16.28, 16.29, 16.30, 16.31, 16.32, 16.33, 16.34, 16.35, 16.36, 16.37, 16.38, 16.39, 16.40, 16.41, 16.42, 16.43, 16.44, 16.45, 16.46, 16.47, 16.48, 16.49, 16.50, 16.51, 16.52, 16.53, 16.54, 16.55, 16.56, 16.57, 16.58, 16.59, 16.60, 16.61, 16.62, 16.63, 16.64, 16.65, 16.66, 16.67, 16.68, 16.69, 16.70, 16.71, 16.72, 16.73, 16.74, 16.75, 16.76, 16.77, 16.78, 16.79, 16.80, 16.81, 16.82, 16.83, 16.84, 16.85, 16.86, 16.87, 16.88, 16.89, 16.90, 16.91, 16.92, 16.93, 16.94, 16.95, 16.96, 16.97, 16.98, 16.99, 17.00, 17.01, 17.02, 17.03, 17.04, 17.05, 17.06, 17.07, 17.08, 17.09, 17.10, 17.11, 17.12, 17.13, 17.14, 17.15, 17.16, 17.17, 17.18, 17.19, 17.20, 17.21, 17.22, 17.23, 17.24, 17.25, 17.26, 17.27, 17.28, 17.29, 17.30, 17.31, 17.32, 17.33, 17.34, 17.35, 17.36, 17.37, 17.38, 17.39, 17.40, 17.41, 17.42, 17.43, 17.44, 17.45, 17.46, 17.47, 17.48, 17.49, 17.50, 17.51, 17.52, 17.53, 17.54, 17.55, 17.56, 17.57, 17.58, 17.59, 17.60, 17.61, 17.62, 17.63, 17.64, 17.65, 17.66, 17.67, 17.68, 17.69, 17.70, 17.71, 17.72, 17.73, 17.74, 17.75, 17.76, 17.77, 17.78, 17.79, 17.80, 17.81, 17.82, 17.83, 17.84, 17.85, 17.86, 17.87, 17.88, 17.89, 17.90, 17.91, 17.92, 17.93, 17.94, 17.95, 17.96, 17.97, 17.98, 17.99, 18.00, 18.01, 18.02, 18.03, 18.04, 18.05, 18.06, 18.07, 18.08, 18.09, 18.10, 18.11, 18.12, 18.13, 18.14, 18.15, 18.16, 18.17, 18.18, 18.19, 18.20, 18.21, 18.22, 18.23, 18.24, 18.25, 18.26, 18.27, 18.28, 18.29, 18.30, 18.31, 18.32, 18.33, 18.34, 18.35, 18.36, 18.37, 18.38, 18.39, 18.40, 18.41, 18.42, 18.43, 18.44, 18.45, 18.46, 18.47, 18.48, 18.49, 18.50, 18.51, 18.52, 18.53, 18.54, 18.55, 18.56, 18.57, 18.58, 18.59, 18.60, 18.61, 18.62, 18.63, 18.64, 18.65, 18.66, 18.67, 18.68, 18.69, 18.70, 18.71, 18.72, 18.73, 18.74, 18.75, 18.76, 18.77, 18.78, 18.79, 18.80, 18.81, 18.82, 18.83, 18.84, 18.85, 18.86, 18.87, 18.88, 18.89, 18.90, 18.91, 18.92, 18.93, 18.94, 18.95, 18.96, 18.97, 18.98, 18.99, 19.00, 19.01, 19.02, 19.03, 19.04, 19.05, 19.06, 19.07, 19.08, 19.09, 19.10, 19.11, 19.12, 19.13, 19.14, 19.15, 19.16, 19.17, 19.18, 19.19, 19.20, 19.21, 19.22, 19.23, 19.24, 19.25, 19.26, 19.27, 19.28, 19.29, 19.30, 19.31, 19.32, 19.33, 19.34, 19.35, 19.36, 19.37, 19.38, 19.39, 19.40, 19.41, 19.42, 19.43, 19.44, 19.45, 19.46, 19.47, 19.48, 19.49, 19.50, 19.51, 19.52, 19.53, 19.54, 19.55, 19.56, 19.57, 19.58, 19.59, 19.60, 19.61, 19.62, 19.63, 19.64, 19.65, 19.66, 19.67, 19.68, 19.69, 19.70, 19.71, 19.72, 19.73, 19.74, 19.75, 19.76, 19.77, 19.78, 19.79, 19.80, 19.81, 19.82, 19.83, 19.84, 19.85, 19.86, 19.87, 19.88, 19.89, 19.90, 19.91, 19.92, 19.93, 19.94, 19.95, 19.96, 19.97, 19.98, 19.99, 20.00, 20.01, 20.02, 20.03, 20.04, 20.05, 20.06, 20.07, 20.08, 20.09, 20.10, 20.11, 20.12, 20.13, 20.14, 20.15, 20.16, 20.17, 20.18, 20.19, 20.20, 20.21, 20.22, 20.23, 20.24, 20.25, 20.26, 20.27, 20.28, 20.29, 20.30, 20.31, 20.32, 20.33, 20.34, 20.35, 20.36, 20.37, 20.38, 20.



Uredjaj za ispitivanje okova



Uredjaj za ispitivanje korozijske postojnosti



Uredjaj za testiranje izdržljivosti brave i kvake



Uredjaj za ispitivanje zupčaste letve

Okov za vrata PVC

Door fittings PVC

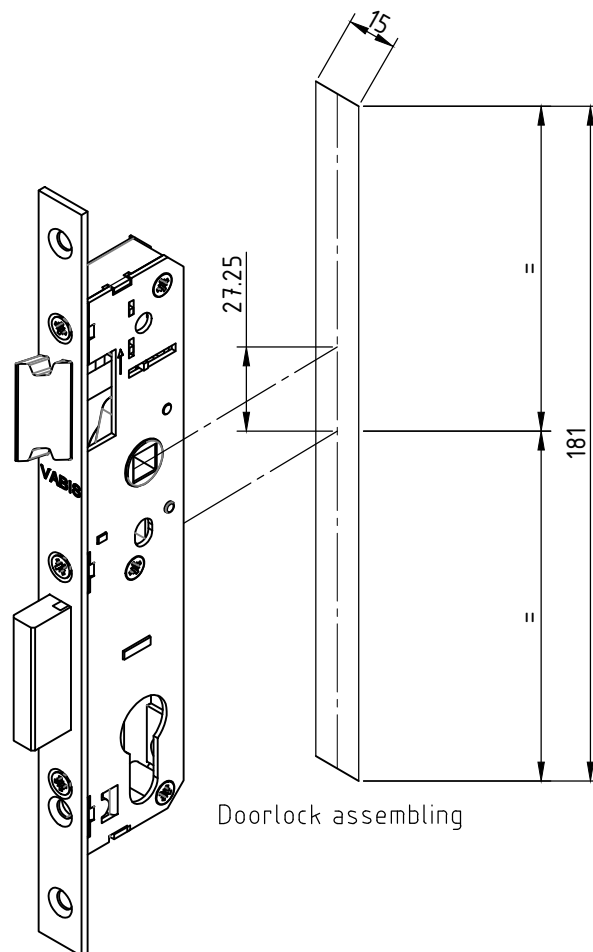
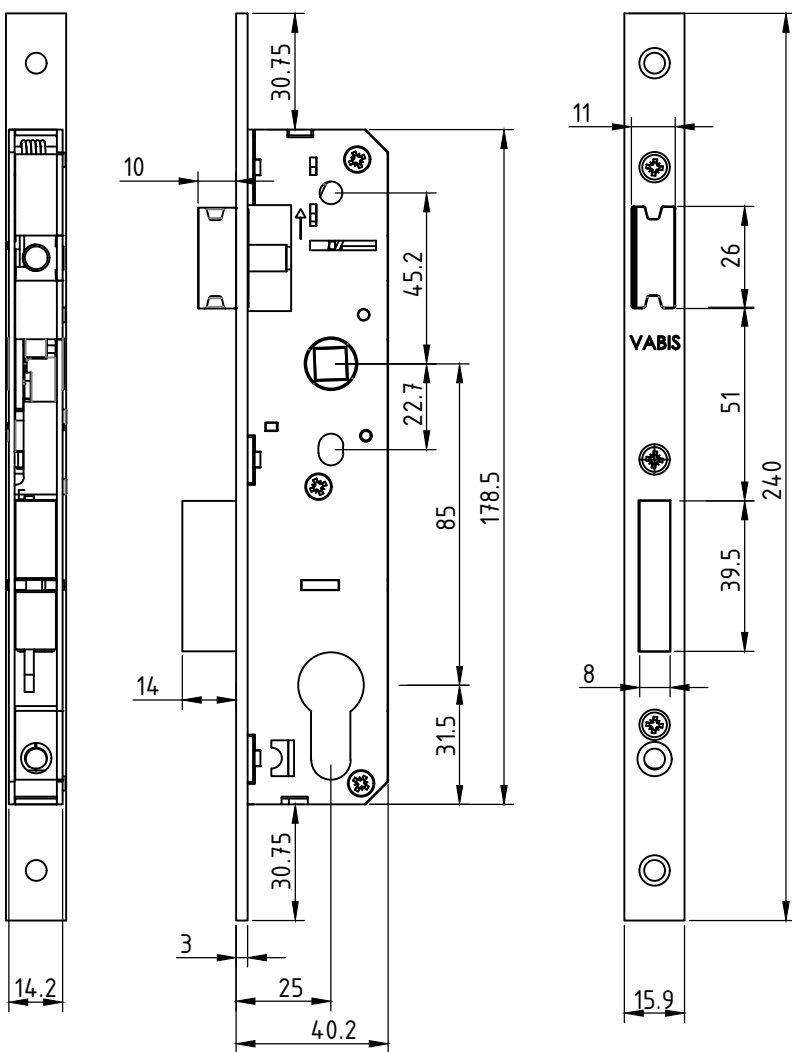
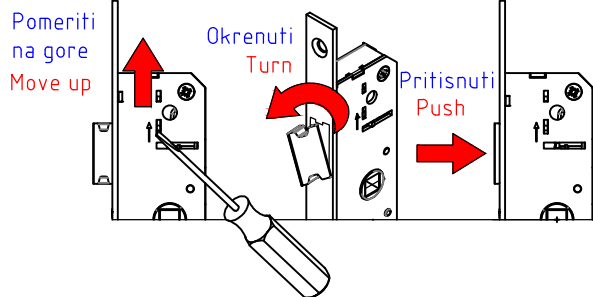
Дверная фурнитура ПВХ

Okov za vrata

Door fittings

Дверная фурнитура

Način okretanja jezička brave
za desna i leva vrata
Doorlock setup - orientation
change for right and left doors








Doorlock assembling

Brava za PVC vrata 25/85/16
Četvrtka 8x8
Pocinkovano celo otporno na
koroziju
Svaka brava upakovana u
specijalno dizajnirane kutije

Door lock PVC 25/85/16 mm
8x8 mm square
Zink plated forehead corrosion
resistance
Every single door lock packed
into a special design carton box

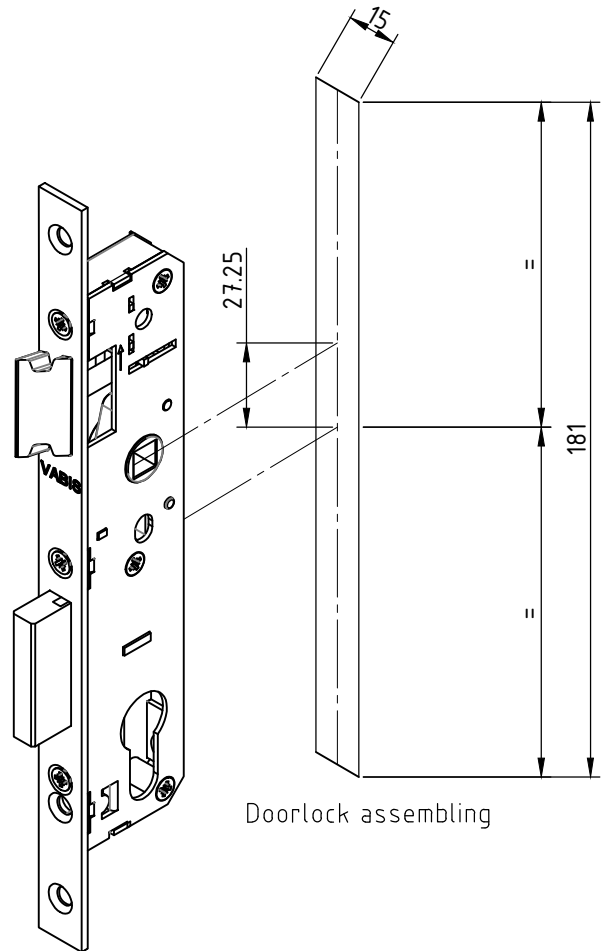
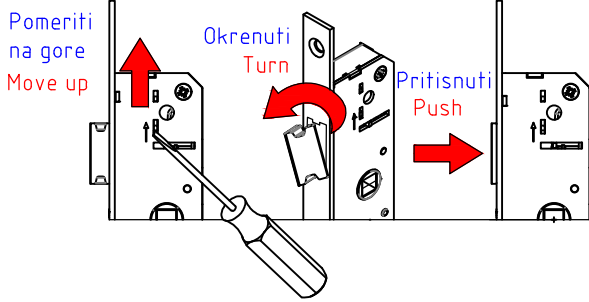
○ Standardna varijanta

○ Standard variant

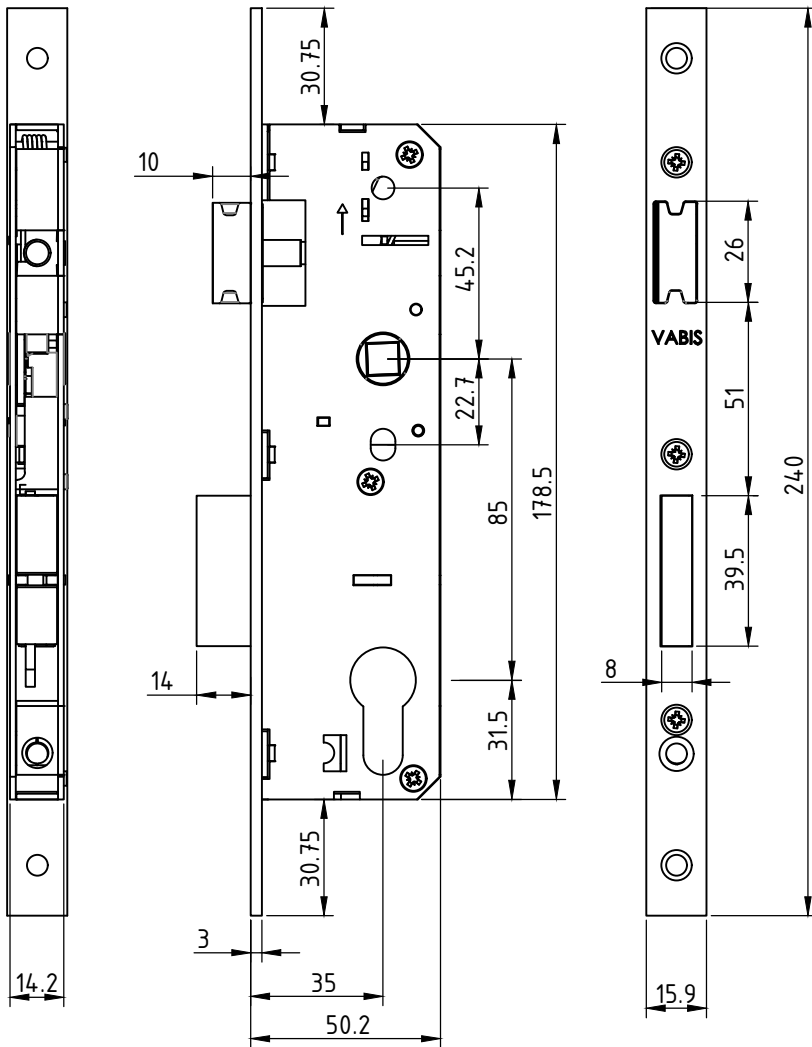
Naziv Name/Название	L (mm)	Artikal Code/Код					
Brava za PVC vrata 25/85/16 mm / Door locks PVC 25/85/16 mm / Дверные замки ПВХ 25/85/16 mm	240	70025	2	/	50/1	0.355	48 kut.

Okov za vrata
 Door fittings
 Дверная фурнитура

Način okretanja jezička brave
 za desna i leva vrata
 Doorlock setup - orientation
 change for right and left doors








Doorlock assembling



Brava za PVC vrata 35/85/16
 Cetvrtka 8x8
 Pocinkovano celo otporno na
 koroziju
 Svaka brava upakovana u
 specijalno dizajnirane kutije
 Door lock PVC 35/85/16 mm
 8x8 mm square
 Zink plated forehead corrosion
 resistance
 Every single door lock packed
 into a special design carton box
 Standard variant

- Standardna varijanta
- Standard variant

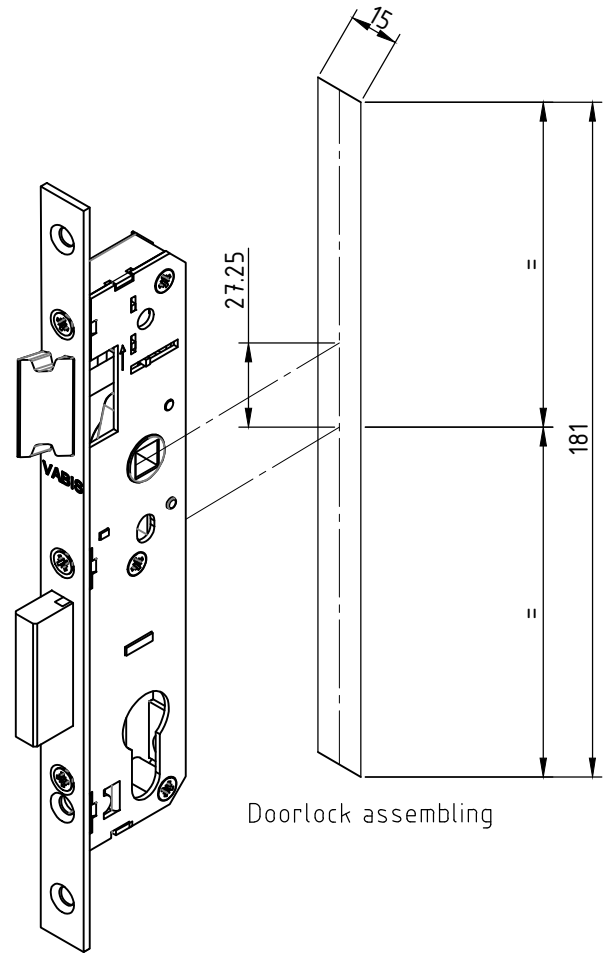
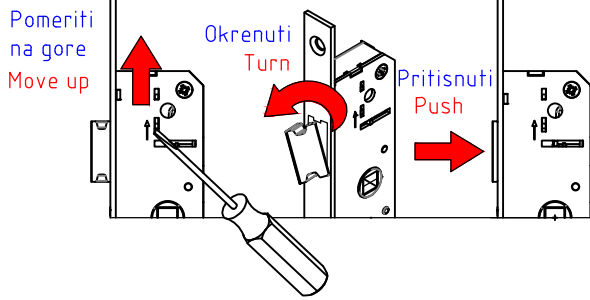
Naziv Name/Название	L (mm)	Artikal Code/Код					
Brava za PVC vrata 35/85/16 mm / Door locks PVC 35/85/16 mm / Дверные замки ПВХ 35/85/16 мм	240	70110	2	/	50/1	0.428	48 kut.

Okov za vrata

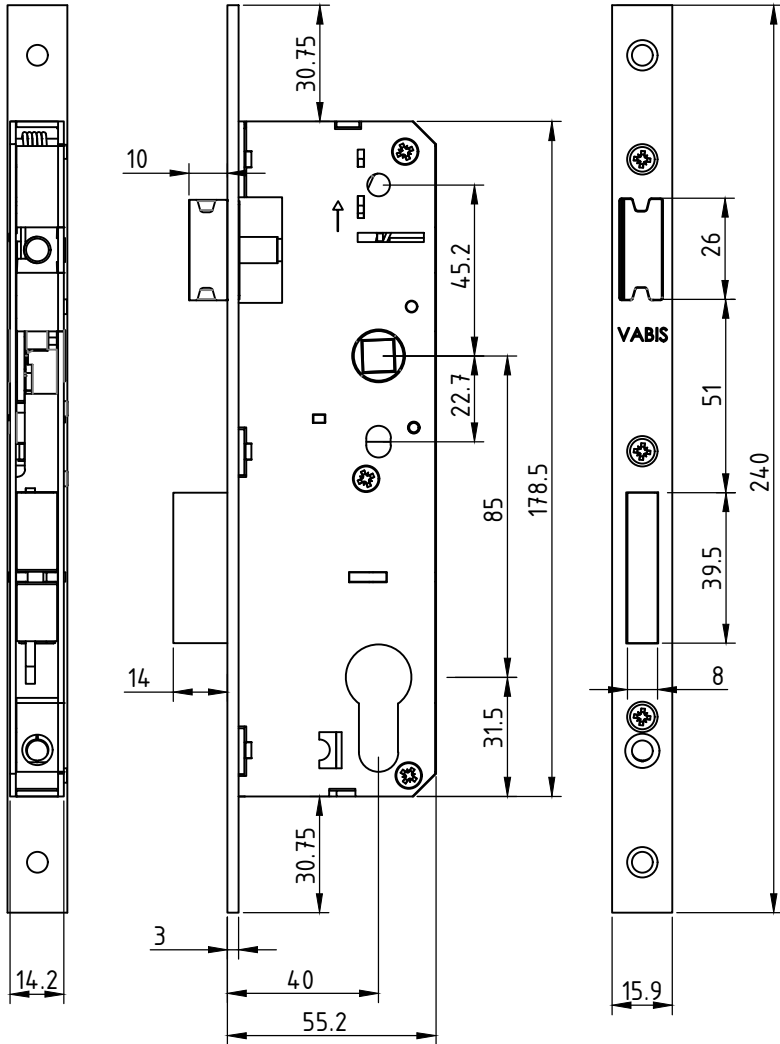
Door fittings

Дверная фурнитура

Način okretanja jezička brave
za desna i leva vrata
Doorlock setup - orientation
change for right and left doors



Doorlock assembling



Brava za PVC vrata 40/85/16
Cetvrtka 8x8
Pocinkovano celo otporno na
koroziju
Svaka brava upakovana u
specijalno dizajnirane kutije
Door lock PVC 40/85/16 mm
8x8 mm square
Zink plated forehead corrosion
resistance
Every single door lock packed
into a special design carton box

Minimalna količina za narucivanje
300 kom

Minimum quantity for order
300 pcs

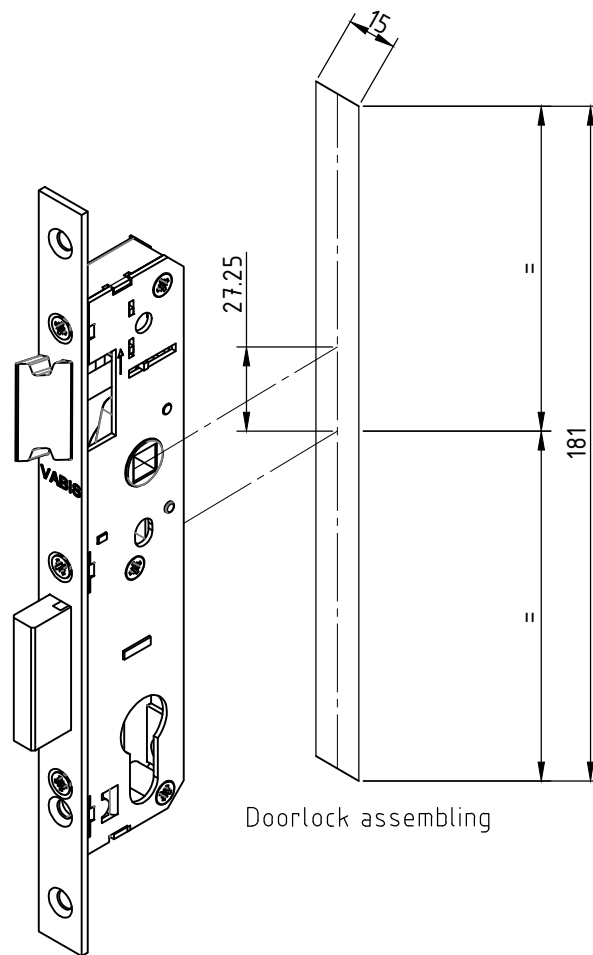
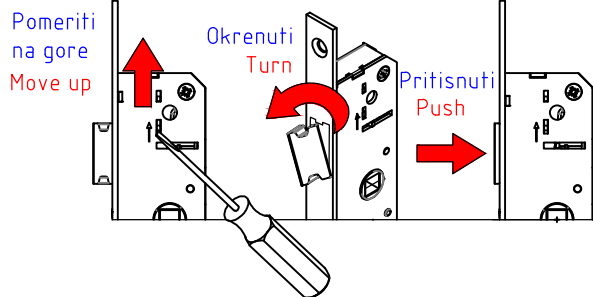
Naziv Name/Название	L (mm)	Artikal Code/Код				kg	
Brava za PVC vrata 40/85/16 mm / Door locks PVC 40/85/16 mm / Дверные замки ПВХ 40/85/16 мм	240	70040	2	/	50/1	0.464	48 kut.

Okov za vrata

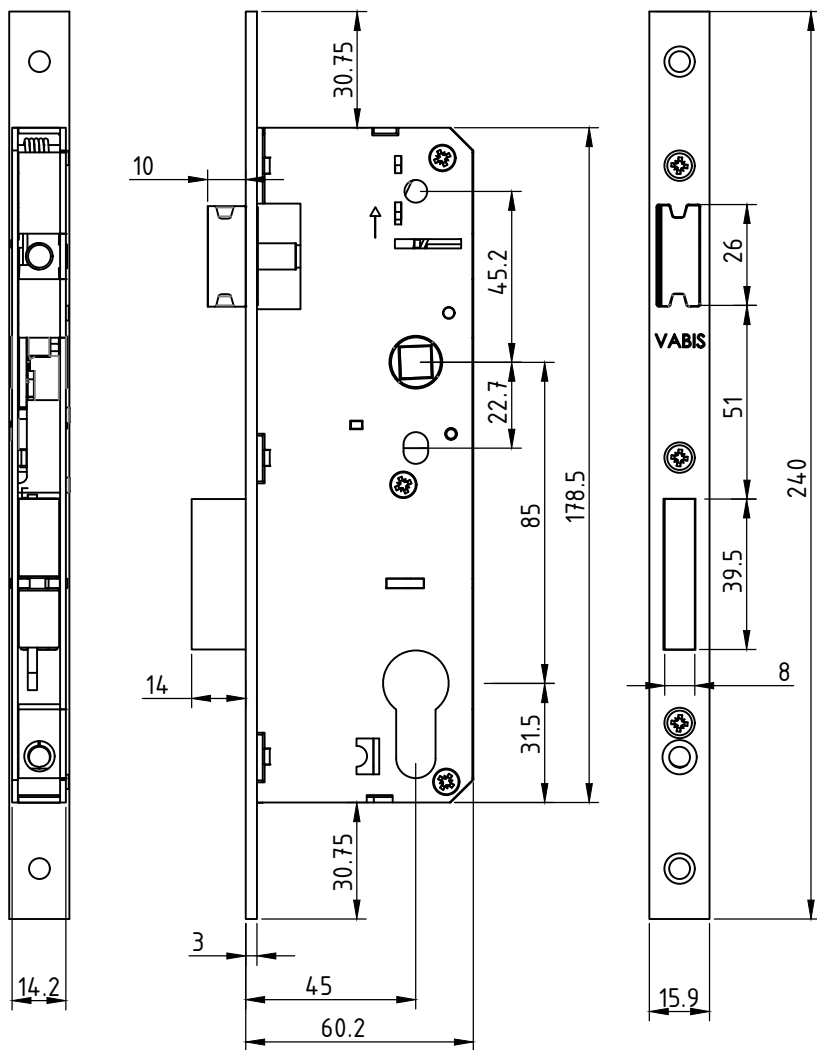
Door fittings

Дверная фурнитура

Način okretanja jezička brave
za desna i leva vrata
Doorlock setup - orientation
change for right and left doors



Doorlock assembling



Brava za PVC vrata 45/85/16
Četvrtka 8x8

Pocinkovano celo otporno na
koroziju

Svaka brava upakovana u
specijalno dizajnirane kutije

Door lock PVC 45/85/16 mm
8x8 mm square

Zink plated forehead corrosion
resistance

Every single door lock packed
into a special design carton box

Minimalna količina za narucivanje
300 kom

Minimum quantity for order
300 pcs

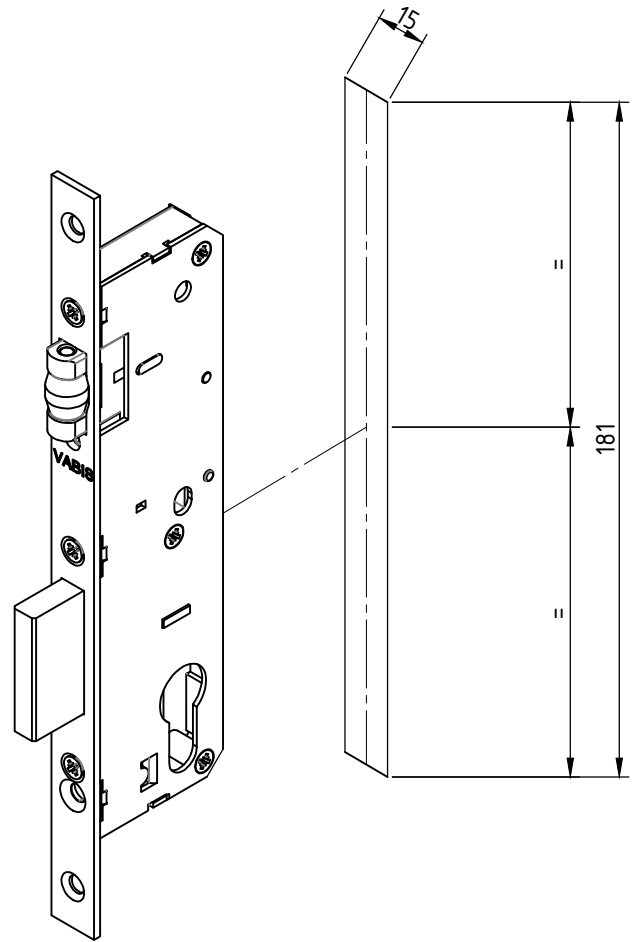
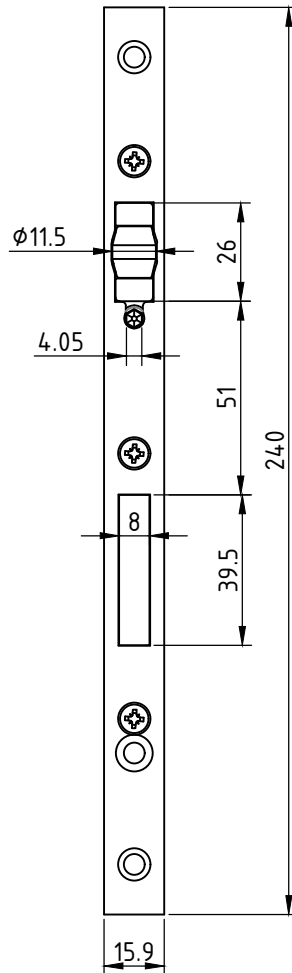
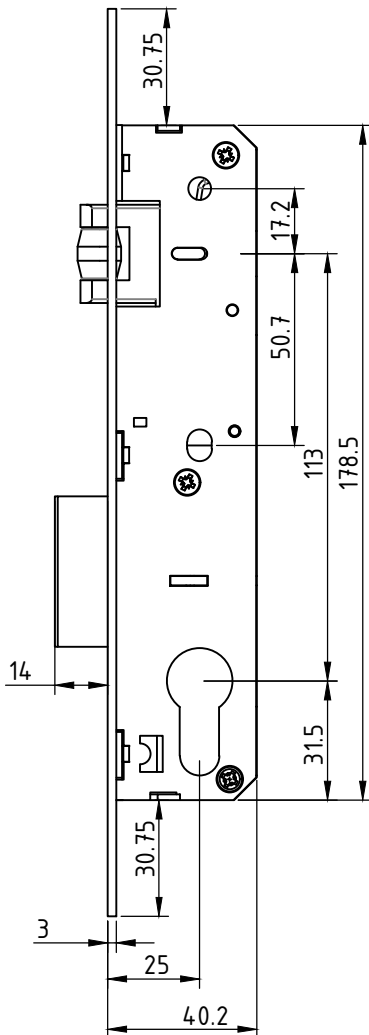
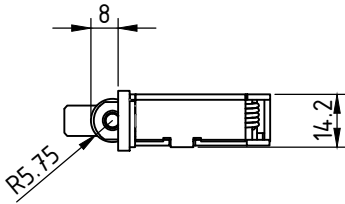
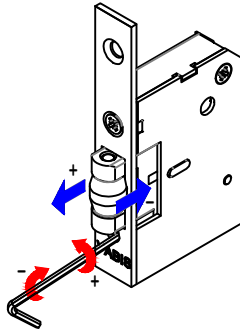
Naziv Name/Название	L (mm)	Artikal Code/Код				kg	
Brava za PVC vrata 45/85/16 mm / Door locks PVC 45/85/16 mm / Дверные замки ПВХ 45/85/16 mm	240	70045	2	/	50/1	0.500	48 kut.

Podesavanje visine valjka

Valjak se podesava Imbus ključem 4, rotirajući levo ili desno valjak menja dužinu

Roller adjust

Allen key 4 - turn left and right to adjust roller length



Brava za PVC sa valjkom
25/85/16

Celo brave pocinkovano
zasticeno od korozije

Svaka brava pakovana u
specijalno dizajnirane kutije
Valjak sa mehanizmom za
podesavanje




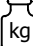

Door lock for PVC with roller
25/85/16 mm

Zink plated forehead corrosion
resistance

Every single door lock packed
into a special design carton box
Roller adjusted mechanism

Minimalna količina za narucivanje
300 kom

Minimum quantity for order
300 pcs

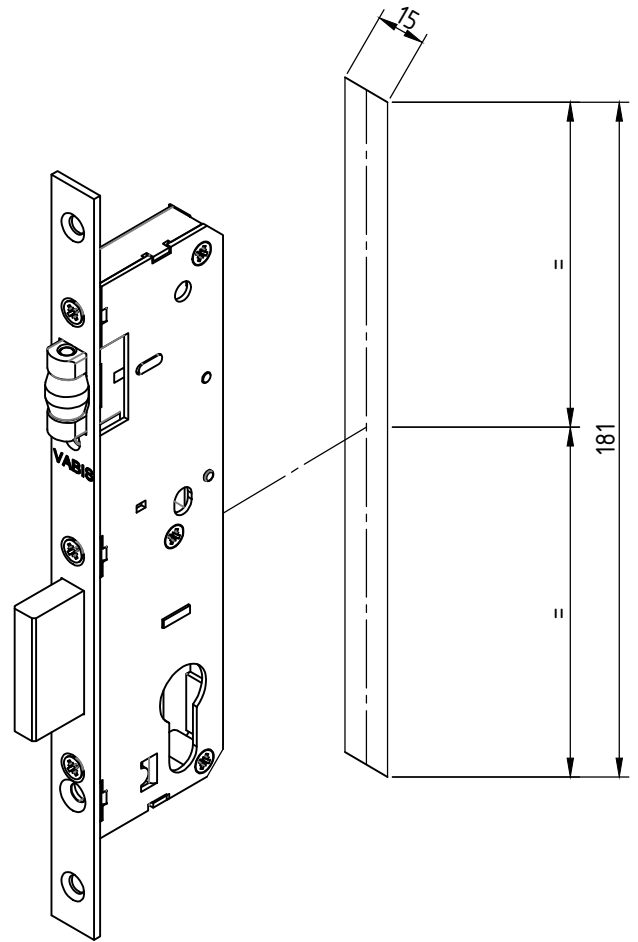
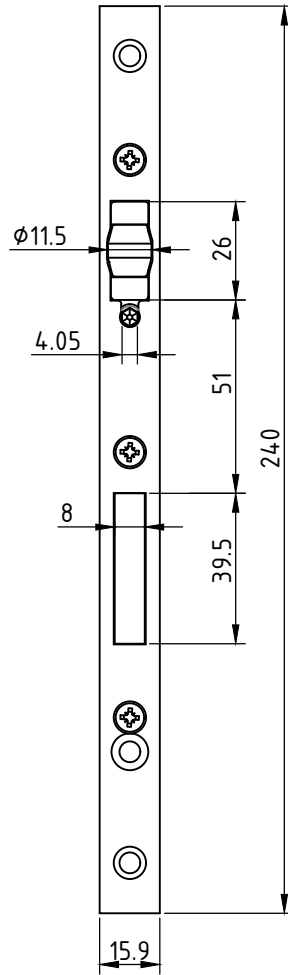
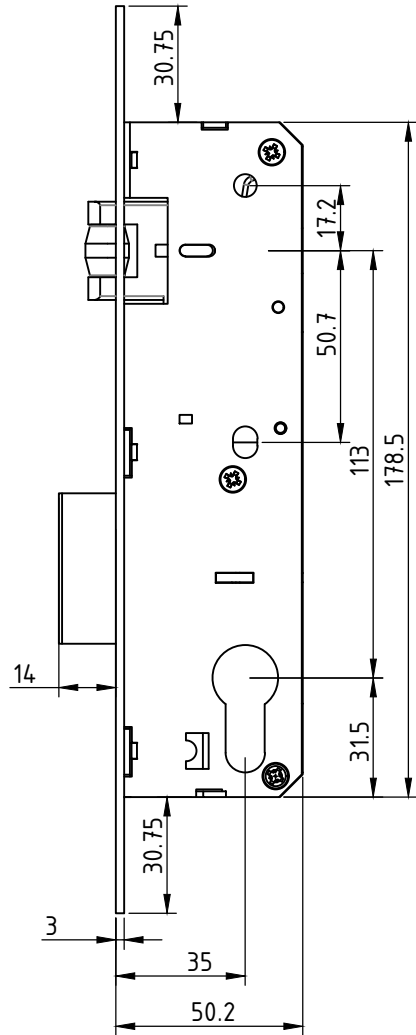
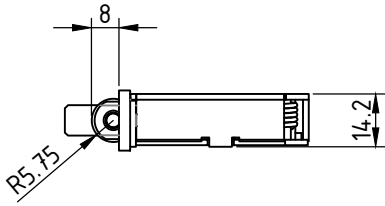
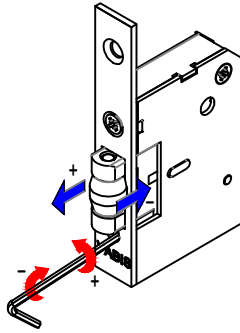
Naziv Name/Название	L (mm)	Artikal Code/Код					
Brava za PVC vrata 25/85/16 mm / Valjak Door locks PVC 25/85/16 mm / Roller Дверные замки ПВХ 25/85/16 mm /	240	70525	2	/	50/1	0.356	48 kut.

Podesavanje visine valjka

Valjak se podesava Imbus ključem 4, rotirajući levo ili desno valjak menja dužinu

Roller adjust

Allen key 4 - turn left and right to adjust roller length



Brava za PVC sa valjkom 35/85/16

Celo brave pocinkovano zasticeno od korozije

Svaka brava pakovana u specijalno dizajnirane kutije

Valjak sa mehanizmom za podesavanje

Door lock for PVC with roller 35/85/16 mm




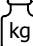

Zink plated forehead corrosion resistance

Every single door lock packed into a special design carton box

Roller adjusted mechanism

~~Minimalna kolicina za narucivanje 300 kom~~

~~Minimum quantity for order 300 pcs~~

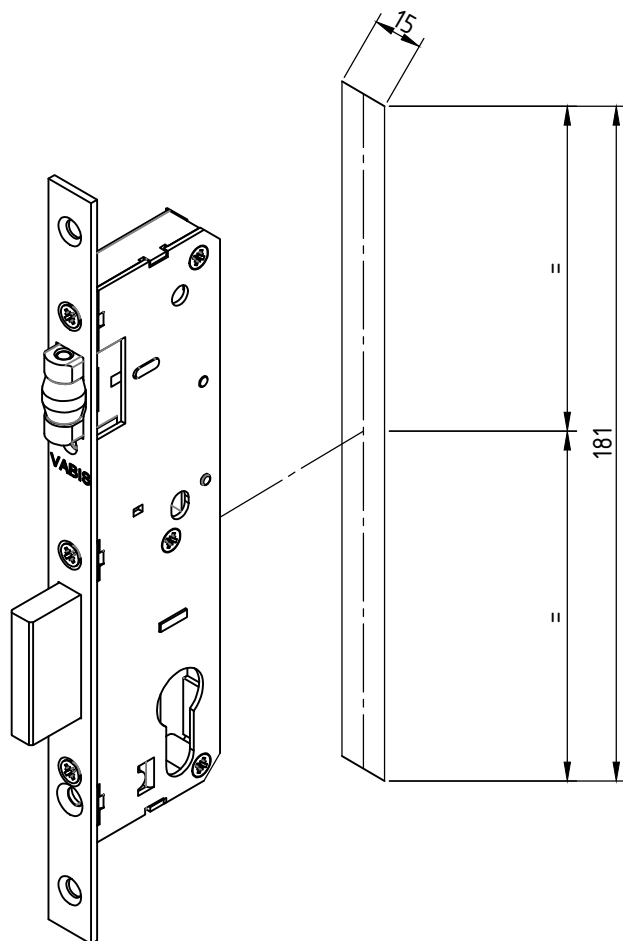
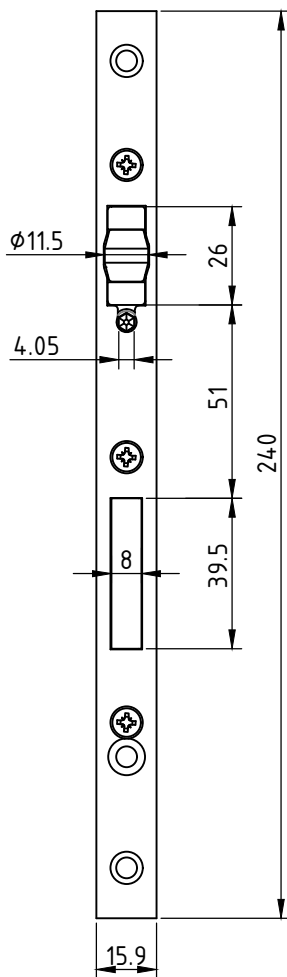
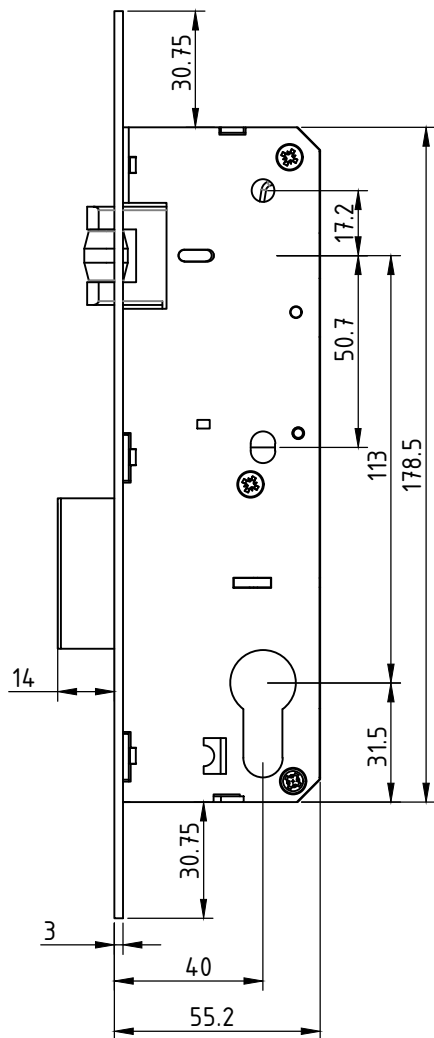
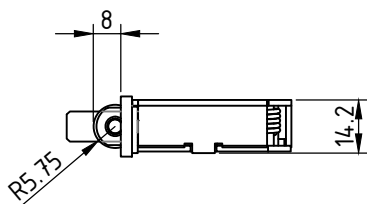
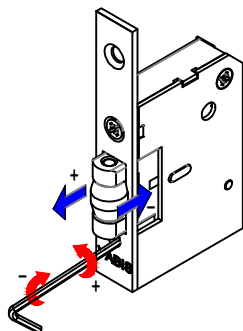
Naziv Name/Название	L (mm)	Artikal Code/Код					
Brava za PVC vrata 35/85/16 mm / Valjak Door locks PVC 35/85/16 mm / Roller Дверные замки ПВХ 35/85/16 mm /	240	70527	2	/	50/1	0.431	48 kut.

Podesavanje visine valjka

Valjak se podesava Imbus ključem 4, rotirajući levo ili desno valjak menja dužinu

Roller adjust

Allen key 4 - turn left and right to adjust roller length



Brava za PVC sa valjkom 40/85/16

Celo brave pocinkovano zasticeno od korozije
Svaka brava pakovana u specijalno dizajnirane kutije
Valjak sa mehanizmom za podesavanje




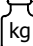

Door lock for PVC with roller 40/85/16 mm

Zink plated forehead corrosion resistance

Every single door lock packed into a special design carton box
Roller adjusted mechanism

~~Minimalna kolicina za narucivanje 300 kom~~

~~Minimum quantity for order 300 pcs~~

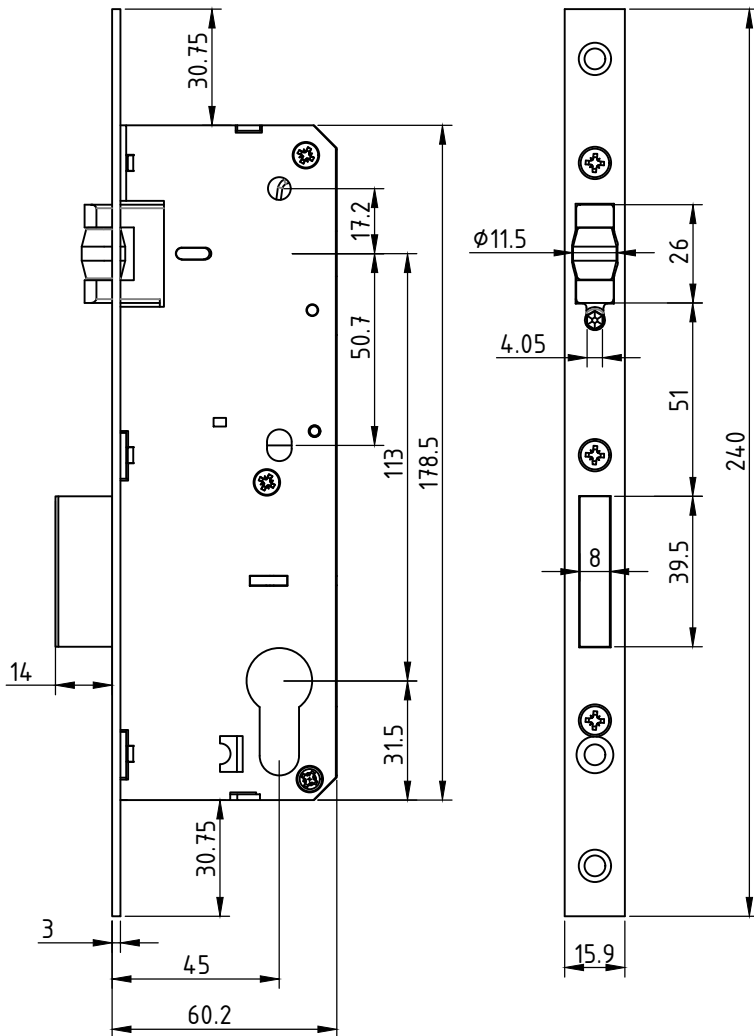
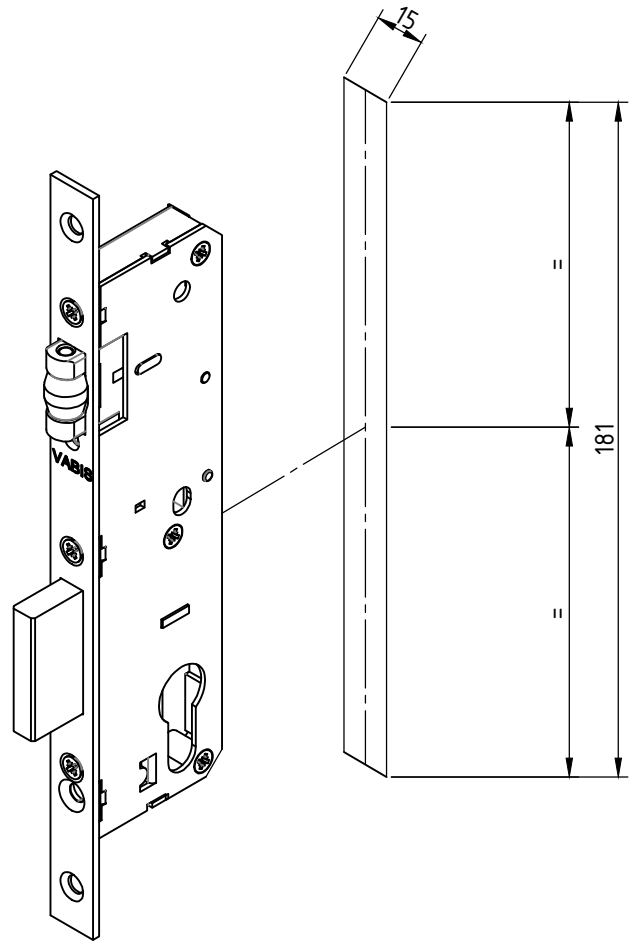
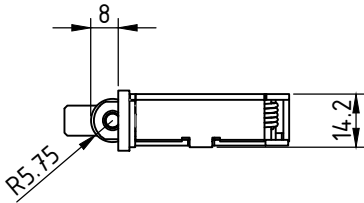
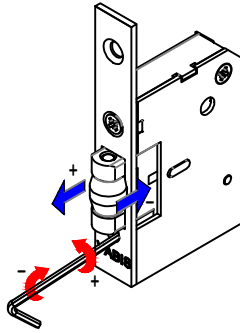
Naziv Name/Название	L (mm)	Artikal Code/Код					
Brava za PVC vrata 40/85/16 mm / Valjak Door locks PVC 40/85/16 mm / Roller Дверные замки ПВХ 40/85/16 mm /	240	70528	2	/	50/1	0.468	48 kut.

Podesavanje visine valjka

Valjak se podesava Imbus ključem 4, rotirajući levo ili desno valjak menja dužinu

Roller adjust

Allen key 4 - turn left and right to adjust roller length






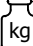

Brava za PVC sa valjkom 45/85/16

Celo brave pocinkovano zasticeno od korozije
Svaka brava pakovana u specijalno dizajnirane kutije
Valjak sa mehanizmom za podesavanje

Door lock for PVC with roller 45/85/16 mm
Zink plated forehead corrosion resistance
Every single door lock packed into a special design carton box
Roller adjusted mechanism

~~Minimalna kolicina za narucivanje 300 kom~~

~~Minimum quantity for order 300 pcs~~

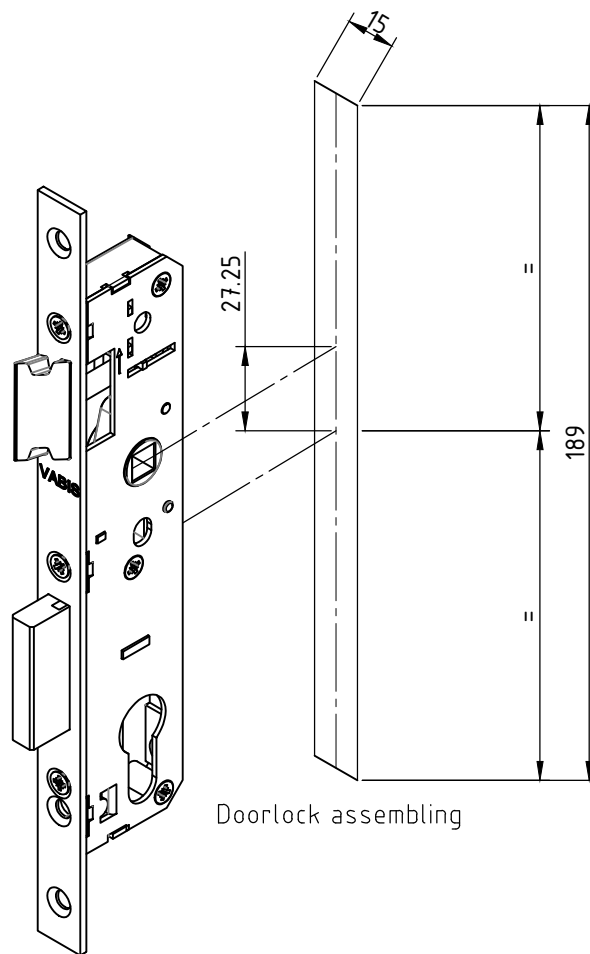
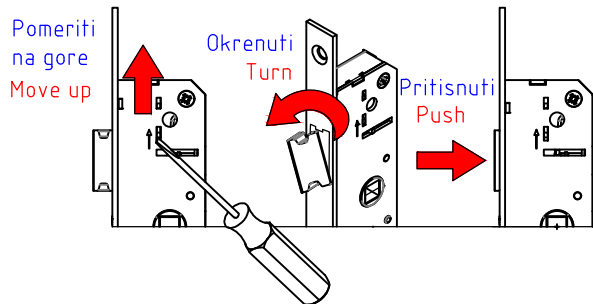
Naziv Name/Название	L (mm)	Artikal Code/Код					
Brava za PVC vrata 45/85/16 mm / Valjak Door locks PVC 45/85/16 mm / Roller Дверные замки ПВХ 45/85/16 mm /	240	70529	2	/	50/1	0.505	48 kut.

Okov za vrata

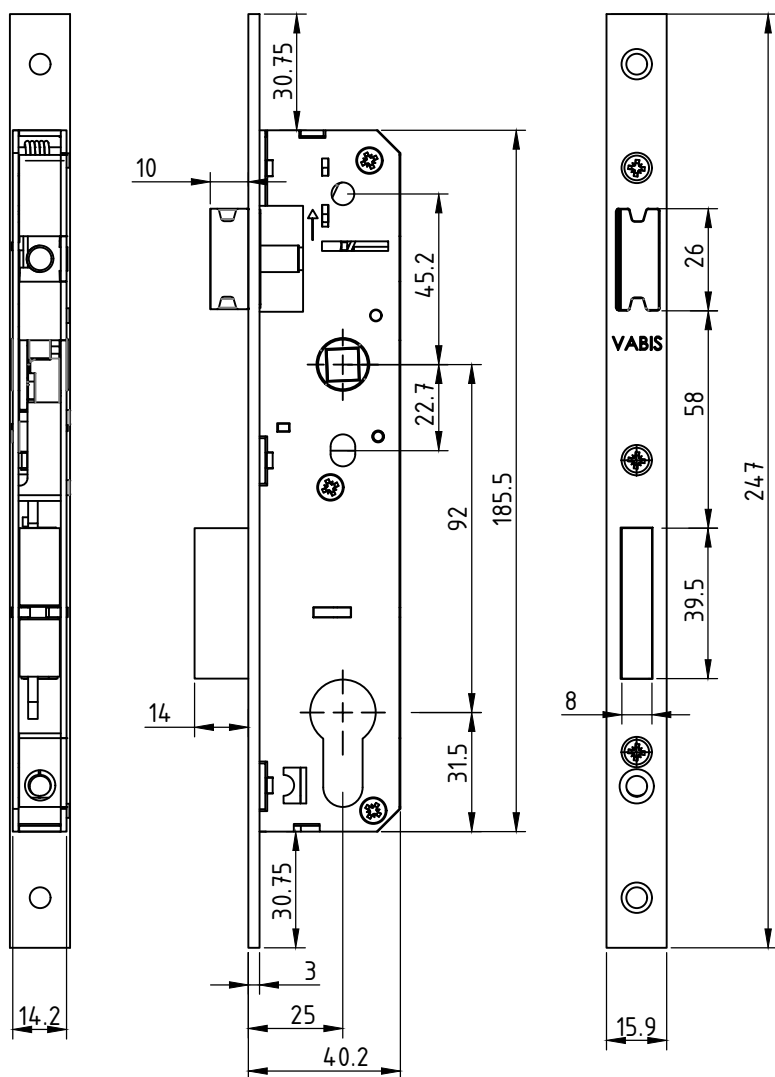
Door fittings

Дверная фурнитура

Način okretanja jezička brave
za desna i leva vrata
Doorlock setup - orientation
change for right and left doors








Doorlock assembling



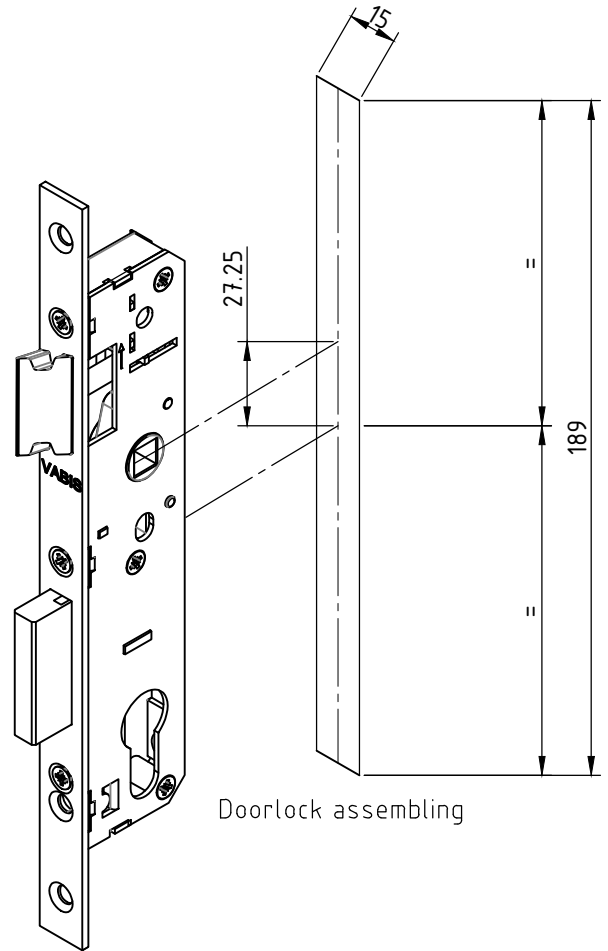
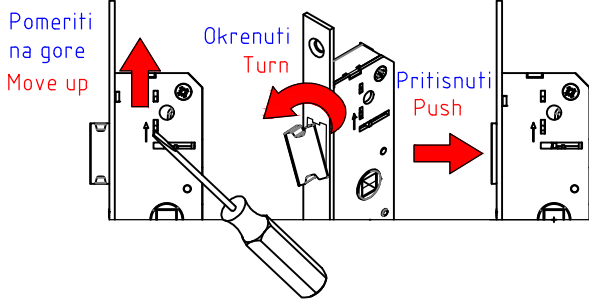
Brava za PVC vrata 25/92/16 mm
Četvrtka 8x8
Pocinkovano celo otporno na
koroziju
Svaka brava upakovana u
specijalno dizajnirane kutije
Door lock PVC 25/92/16 mm
8x8 mm square
Zink plated forehead corrosion
resistance
Every single door lock packed
into a special design carton box

○ Standardna varijanta

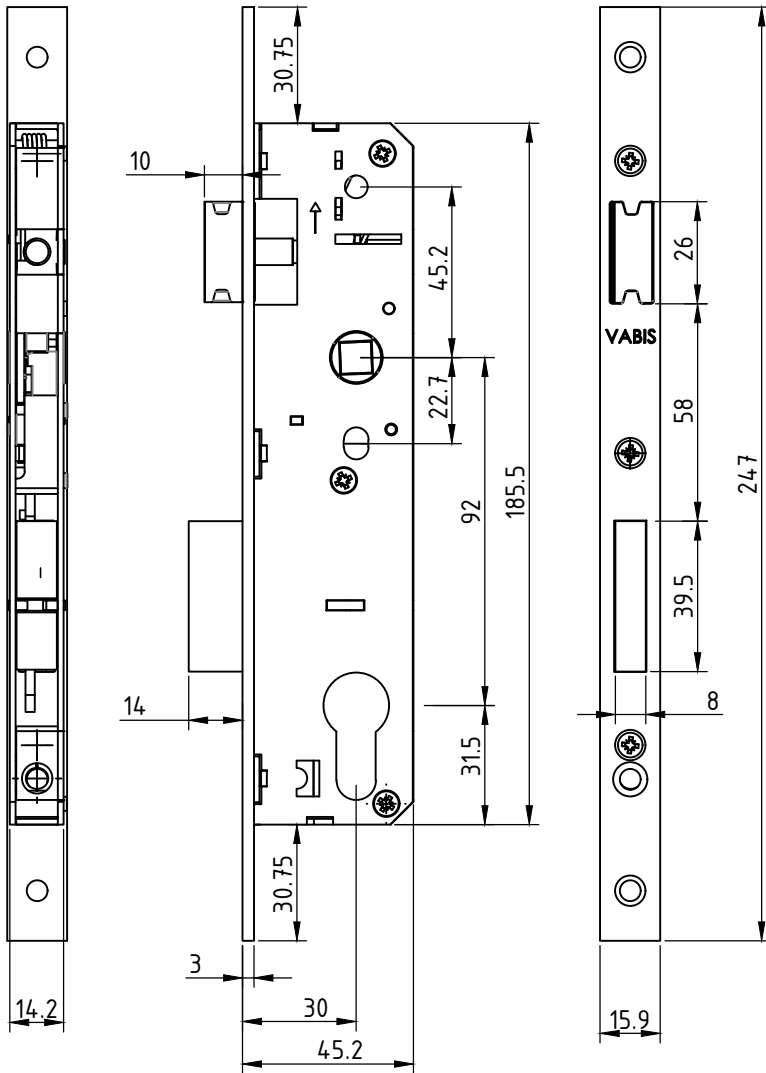
○ Standard variant

Naziv Name/Название	L (mm)	Artikal Code/Код					
Brava za PVC vrata 25/92/16 mm Door locks PVC 25/92/16 mm Дверные замки ПВХ 25/92/16 mm	247	70700	2	/	50/1	0.362	48 kut.

Način okretanja jezička brave
za desna i leva vrata
Doorlock setup - orientation
change for right and left doors



Doorlock assembling








Brava za PVC vrata 30/92/16 mm
Četvrtka 8x8
Pocinkovano celo otporno na
koroziju
Svaka brava upakovana u
specijalno dizajnirane kutije

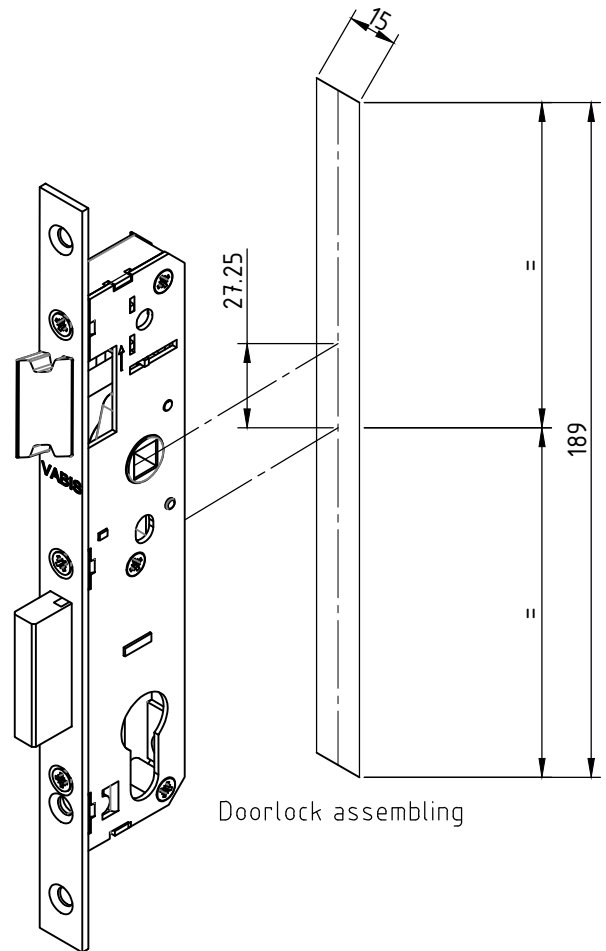
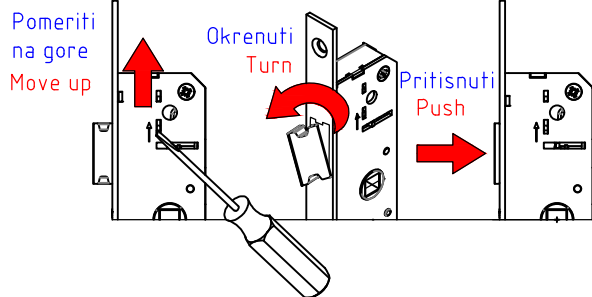
Door lock PVC 30/92/16 mm
8x8 mm square
Zink plated forehead corrosion
resistance
Every single door lock packed
into a special design carton box

Minimalna količina za narucivanje
300 kom

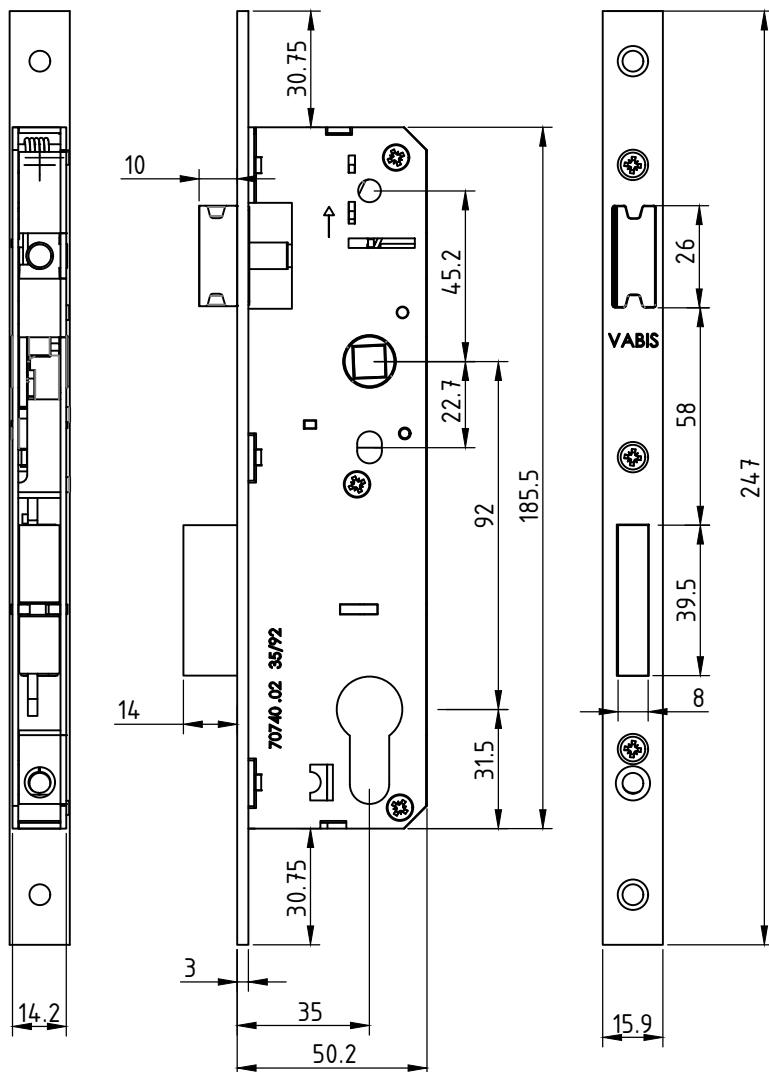
Minimum quantity for order
300 pcs

Naziv Name/Название	L (mm)	Artikal Code/Код					
Brava za PVC vrata 30/92/16 mm / Door locks PVC 30/92/16 mm / Дверные замки ПВХ 30/92/16 mm	247	70720	2	/	1	0.400	48 kut.

Način okretanja jezička brave
za desna i leva vrata
Doorlock setup - orientation
change for right and left doors








Doorlock assembling



Brava za PVC vrata 35/92/16 mm
Četvrtka 8x8
Pocinkovano celo otporno na
koroziju
Svaka brava upakovana u
specijalno dizajnirane kutije
Door lock PVC 35/92/16 mm
8x8 mm square
Zink plated forehead corrosion
resistance
Every single door lock packed
into a special design carton box

○ Standardna varijanta
○ Standard variant

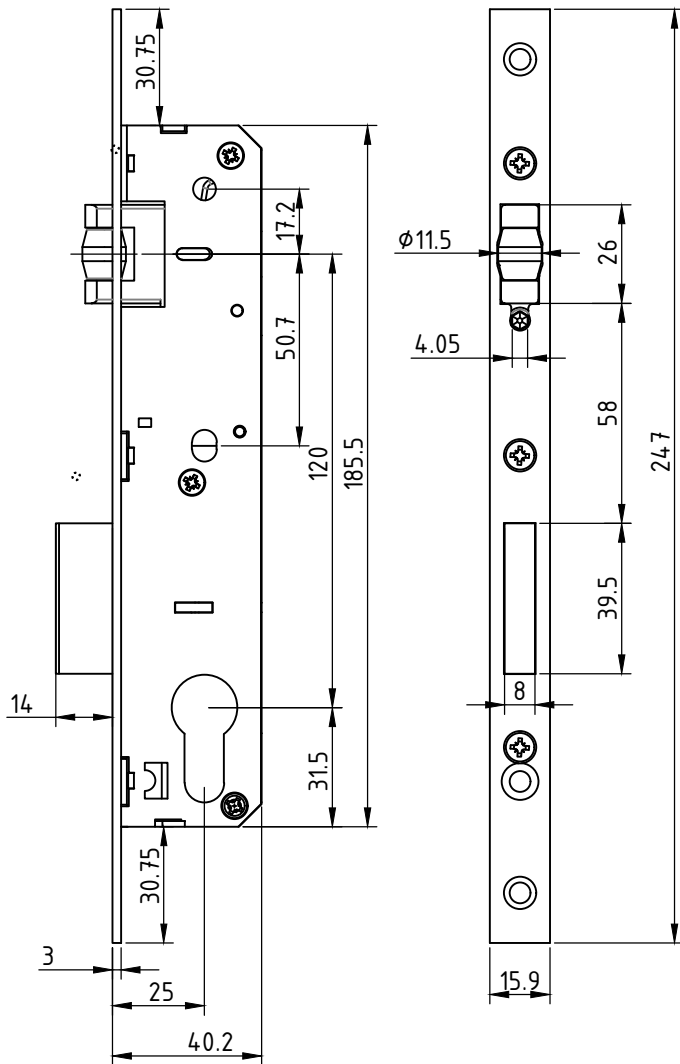
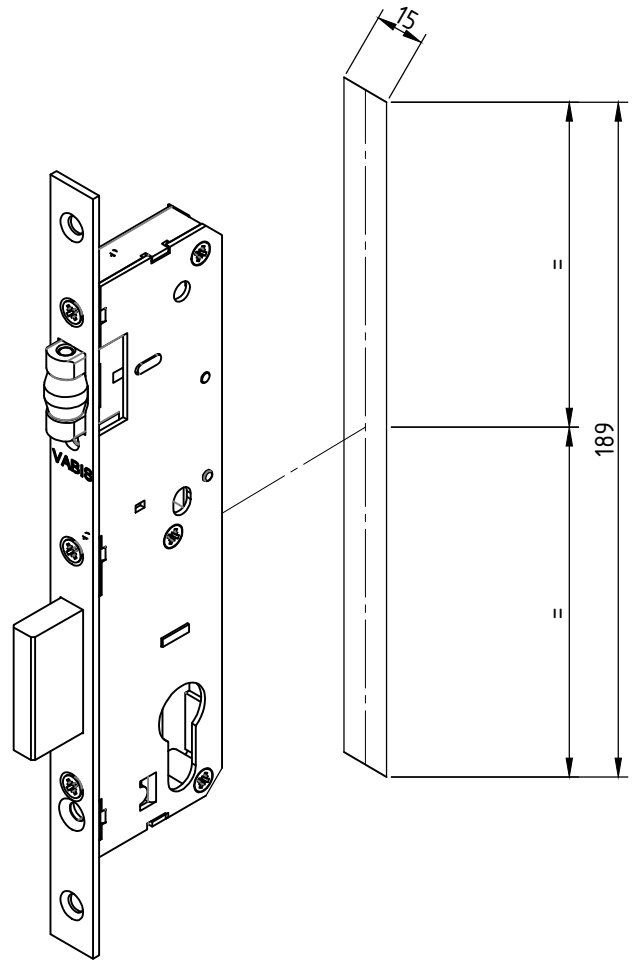
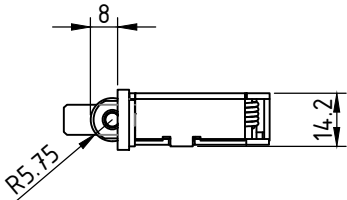
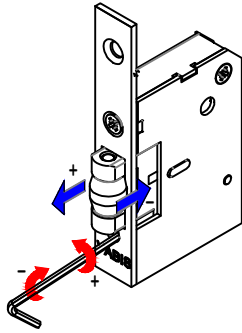
Naziv Name/Название	L (mm)	Artikal Code/Код					
Brava za PVC vrata 35/92/16 mm / Door locks PVC 35/92/16 mm / Дверные замки ПВХ 35/92/16 mm	247	70740	2	/	1	0.438	48 kut.

Podesavanje visine valjka

Valjak se podesava Imbus ključem 4, rotirajući levo ili desno valjak menja dužinu

Roller adjust

Allen key 4 - turn left and right to adjust roller length



Brava za PVC sa valjkom
25/92/16

Celo brave pocinkovano
zasticeno od korozije
Svaka brava pakovana u
specijalno dizajnirane kutije
Valjak sa mehanizmom za
podesavanje




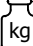

Door lock for PVC with roller
25/92/16 mm

Zink plated forehead corrosion
resistance

Every single door lock packed
into a special design carton box
Roller adjusted mechanism

Minimalna kolicina za narucivanje
300 kom

Minimum quantity for order
300 pcs

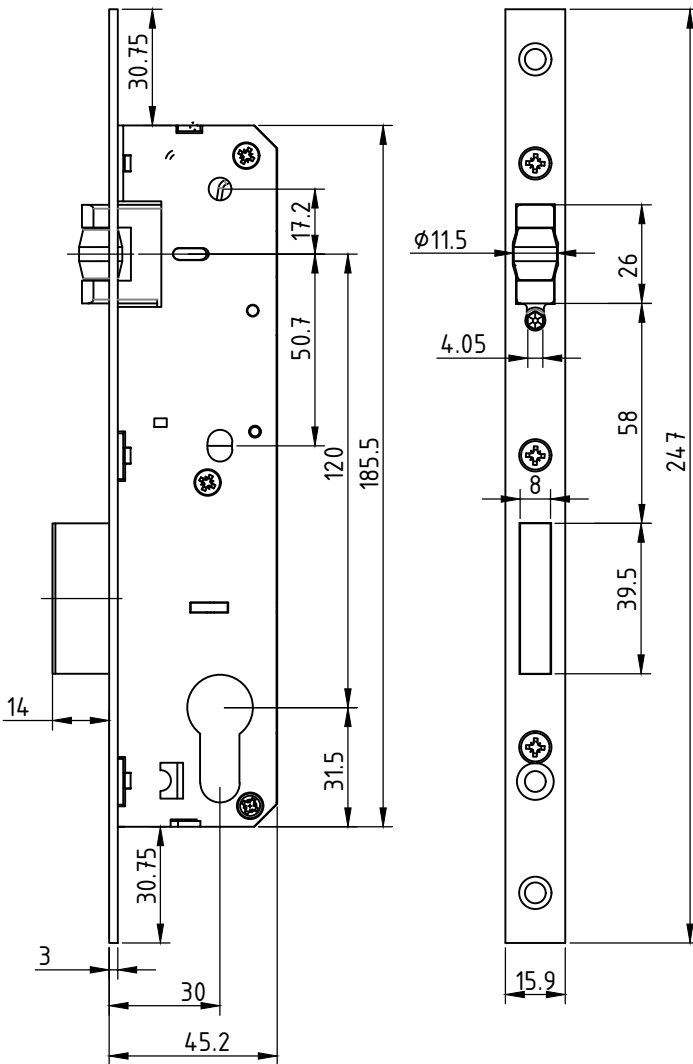
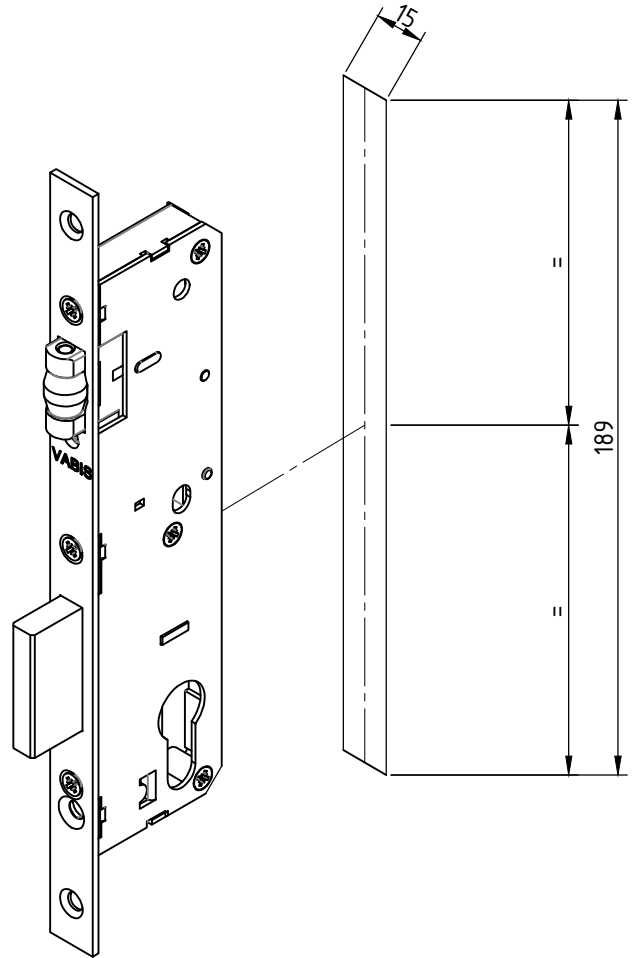
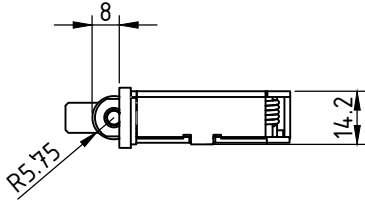
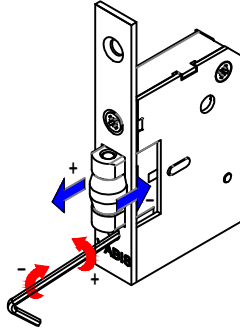
Naziv Name/Название	L (mm)	Artikal Code/Код					
Brava za PVC vrata 25/92/16 mm / Valjak Door locks PVC 25/92/16 mm / Roller Дверные замки ПВХ 25/92/16 mm /	247	70515	2	/	50/1	0.363	48 kut.

Podesavanje visine valjka

Valjak se podesava Imbus ključem 4, rotirajući levo ili desno valjak menja dužinu

Roller adjust

Allen key 4 - turn left and right to adjust roller length



Brava za PVC sa valjkom 35/92/16

Celo brave pocinkovano zasticeno od korozije

Svaka brava pakovana u specijalno dizajnirane kutije

Valjak sa mehanizmom za podesavanje

Door lock for PVC with roller 35/92/16 mm




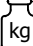

Zink plated forehead corrosion resistance

Every single door lock packed into a special design carton box

Roller adjusted mechanism

~~Minimalna kolicina za narucivanje 300 kom~~

~~Minimum quantity for order 300 pcs~~

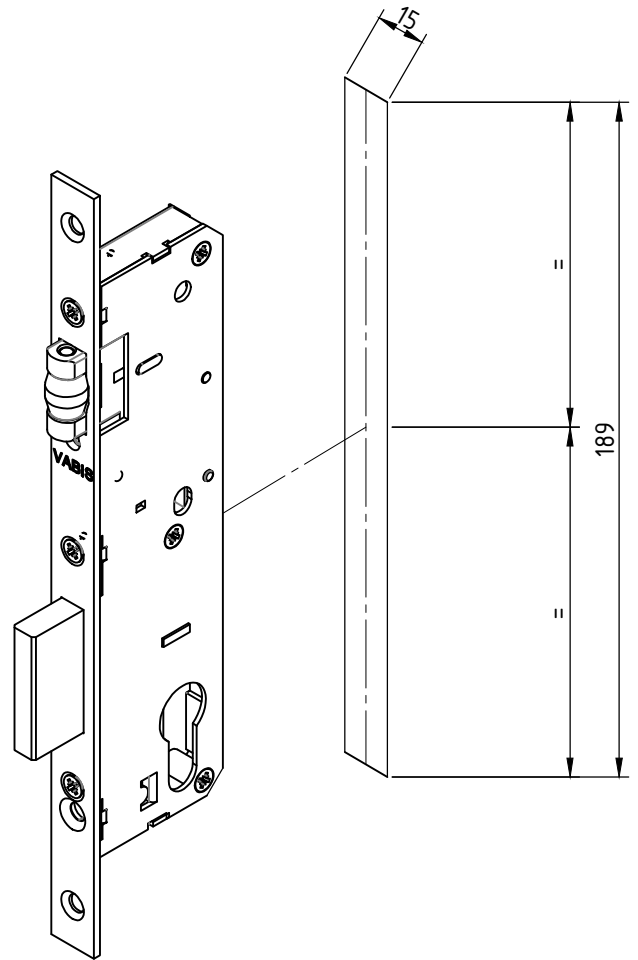
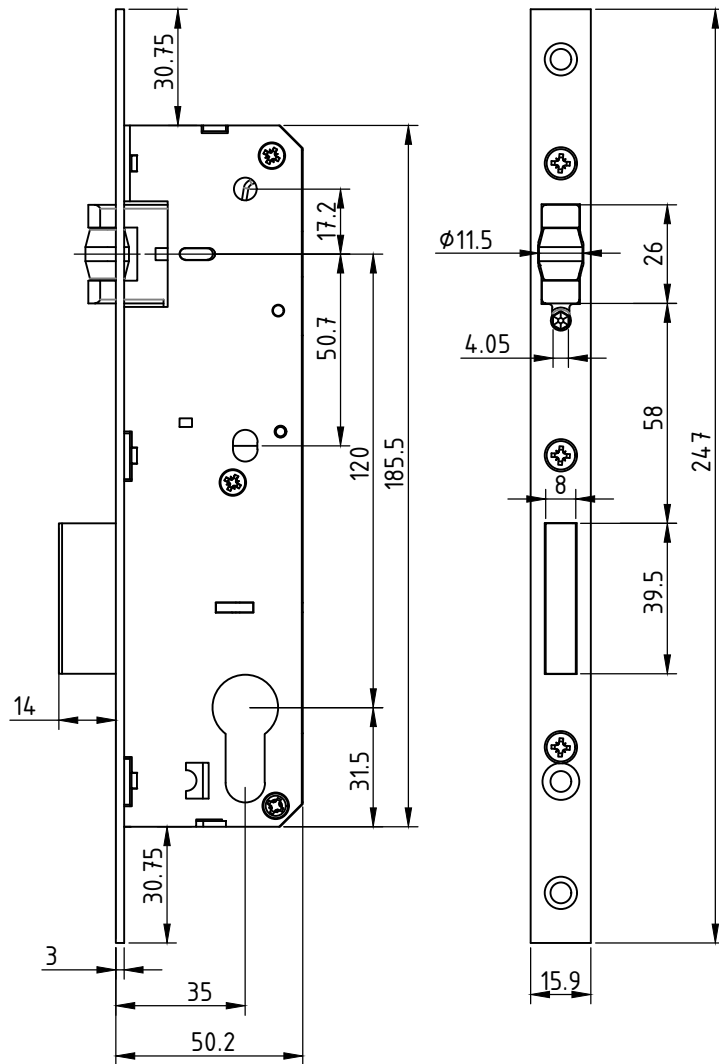
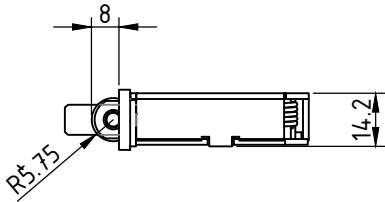
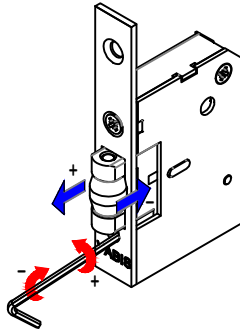
Naziv Name/Название	L (mm)	Artikal Code/Код					
Brava za PVC vrata 30/92/16 mm / Valjak Door locks PVC 30/92/16 mm / Roller Дверные замки ПВХ 30/92/16 mm /	247	70516	2	/	50/1	0.401	48 kut.

Podesavanje visine valjka

Valjak se podesava Imbus ključem 4, rotirajući levo ili desno valjak menja dužinu

Roller adjust

Allen key 4 - turn left and right to adjust roller length



Brava za PVC sa valjkom 35/92/16

Celo brave pocinkovano zasticeno od korozije

Svaka brava pakovana u specijalno dizajnirane kutije

Valjak sa mehanizmom za podesavanje

Door lock for PVC with roller 35/92/16 mm




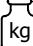

Zink plated forehead corrosion resistance

Every single door lock packed into a special design carton box

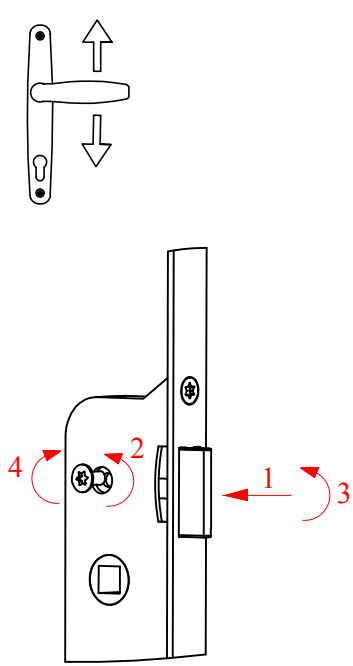
Roller adjusted mechanism

Minimalna količina za narucivanje 300 kom

Minimum quantity for order 300 pcs

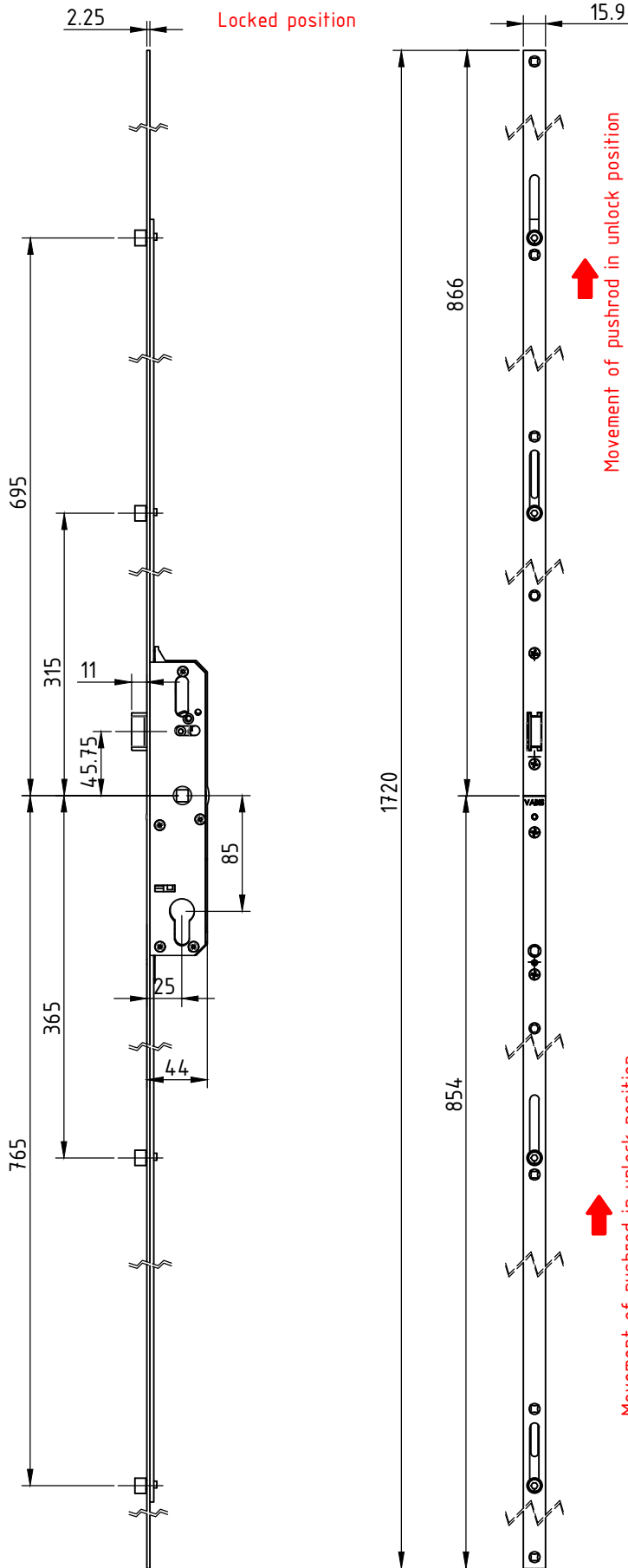
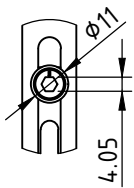
Naziv Name/Название	L (mm)	Artikal Code/Код					
Brava za PVC vrata 35/92/16 mm / Valjak Door locks PVC 35/92/16 mm / Roller Дверные замки ПВХ 35/92/16 mm /	247	70517	2	/	50/1	0.439	48 kut.

Okov za vrata
 Door fittings
 Дверная фурнитура



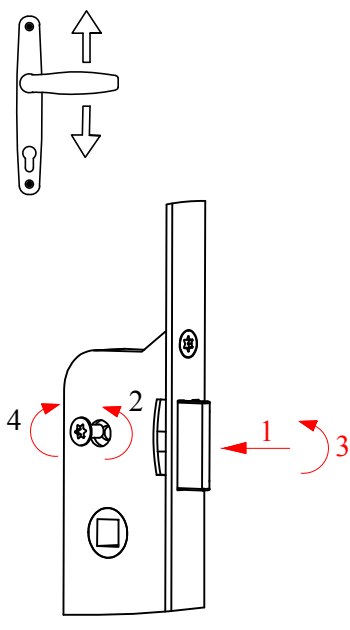
- 1 - Pritisnuti gornji jezičak
- 2 - Odvrteti vijak
- 3 - Povuci jezičak da izadje, okrenuti jezičak, zatim vratiti jezičak u ležište
- 4 - Zavrteti vijak

- 1 - Push latch bolt
- 2 - Unscrew
- 3 - Pull out latch bolt to go out, turn the latch bolt, and push latch bolt
- 4 - Turn the screw



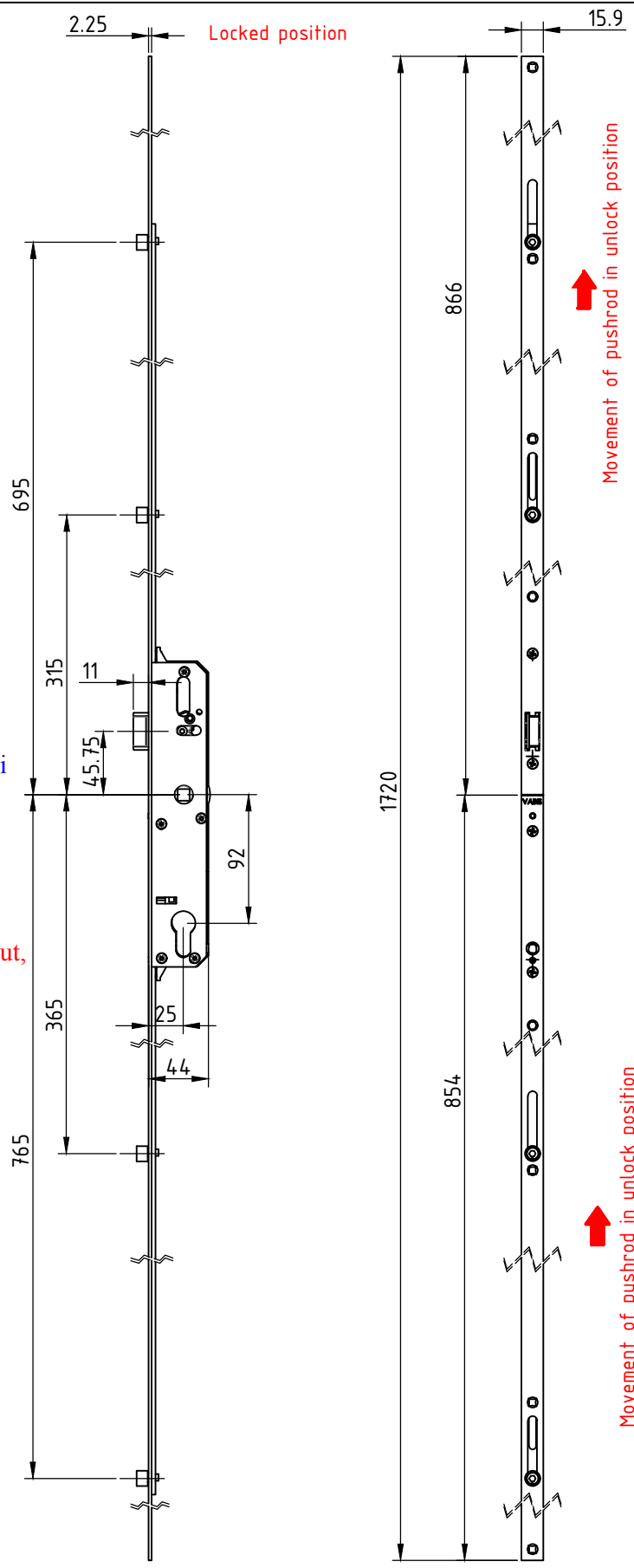
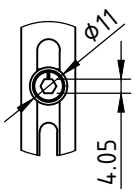
Naziv Name/Название	L (mm)	Artikal Code/Код				kg	
Petozatvorna brava na potez PVC 25/85/16 / Door locks PVC 25/85/16 mm / Дверные замки ПВХ 25/85/16 mm	1720	70555	8	4	1/5/50	0.992	

Okov za vrata
 Door fittings
 Дверная фурнитура



- 1 - Pritisnuti gornji jezičak
- 2 - Odvrteti vijak
- 3 - Povuci jezičak da izadje, okrenuti jezičak, zatim vratiti jezičak u ležište
- 4 - Zavrteti vijak

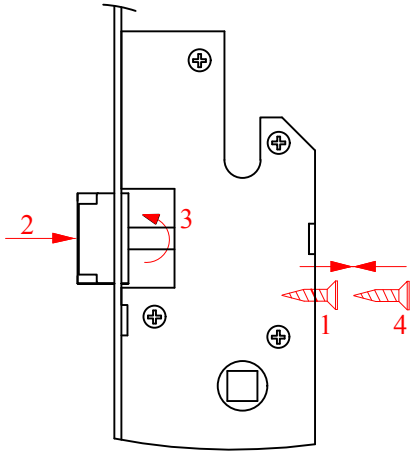
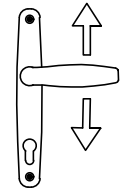
- 1 - Push latch bolt
- 2 - Unscrew
- 3 - Pull out latch bolt to go out, turn the latch bolt, and push latch bolt
- 4 - Turn the screw



Naziv Name/Название	L (mm)	Artikal Code/Код				kg	
Petozatvorna brava na potez PVC 25/92/16 / Door locks PVC 25/92/16 mm / Дверные замки ПВХ 25/92/16 mm	1720	70535	8	4	1/5/50	0.971	

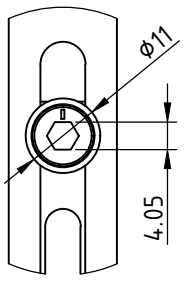


Okov za vrata
 Door fittings
 Дверная фурнитура

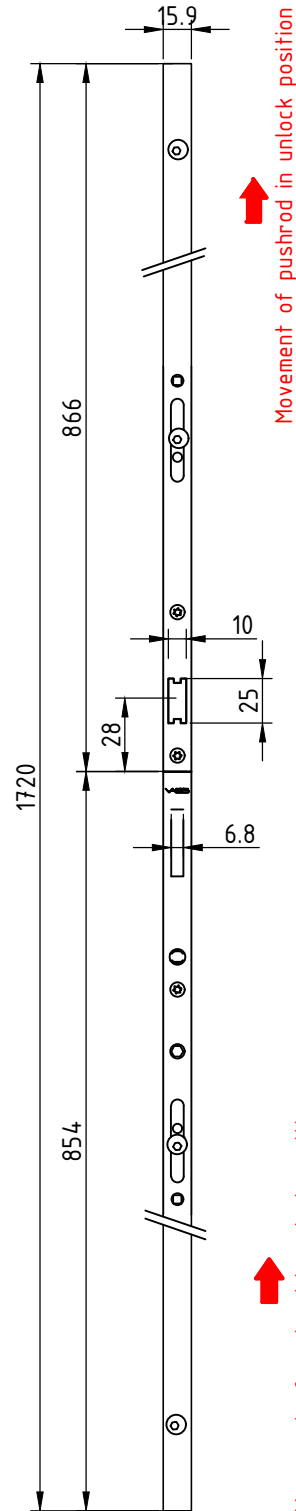
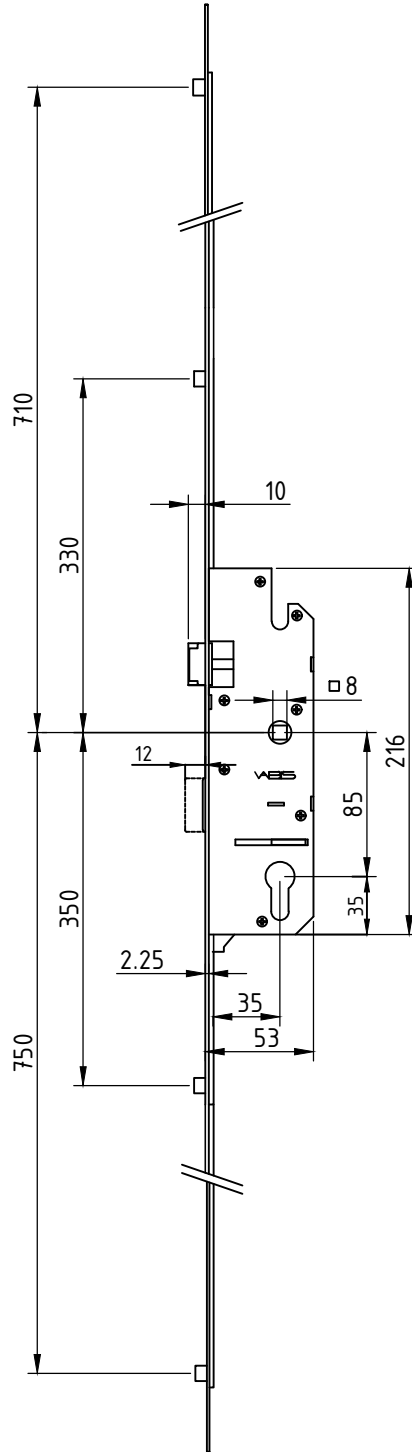


- 1 - Odvrteti vijak
- 2 - Pritisnuti jezičak
- 3 - Rotirati jezičak unutar kućišta
- 4 - Zavrteti vijak

- 1 - Unscrew
- 2 - Push latch bolt
- 3 - Rotate latch bolt inside housing
- 4 - Turn the screw



Locked position

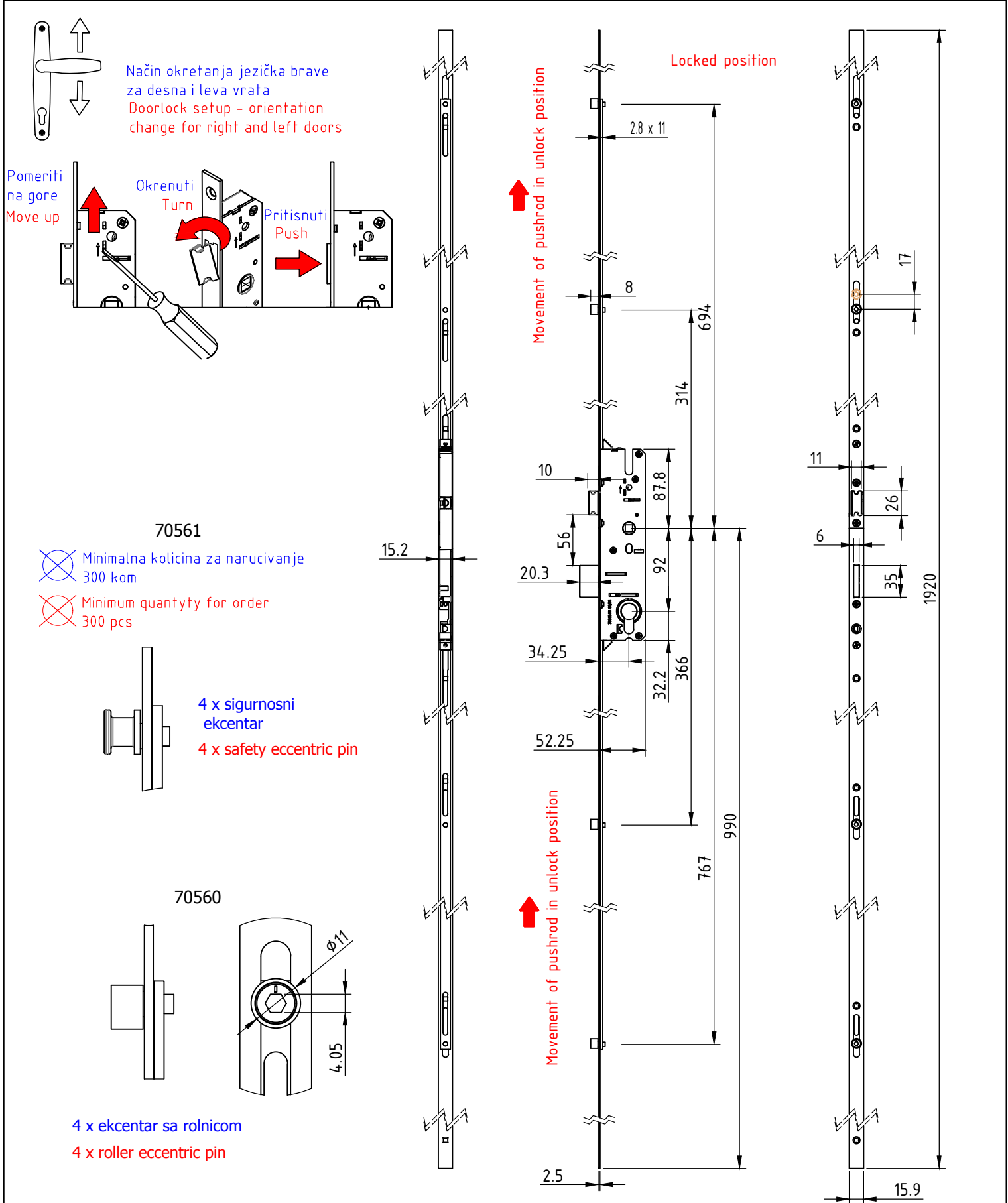


Movement of pushrod in unlock position

Movement of pushrod in unlock position

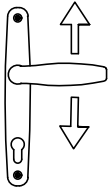
Poz Pos/Поз	Naziv Name/Название	L (mm)	Artikal Code/Код	VFK				
11.25	Petozatvorna brava za PVC vrata 35 mm Espagnolette with lock for doors 35 mm Дверные замки с ячейкой для цилиндра 35 мм	1720	70205	1720-/	8	2	5	1.069

Okov za vrata
Door fittings
Дверная фурнитура

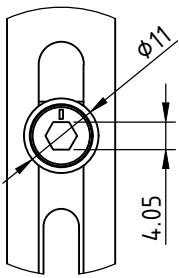
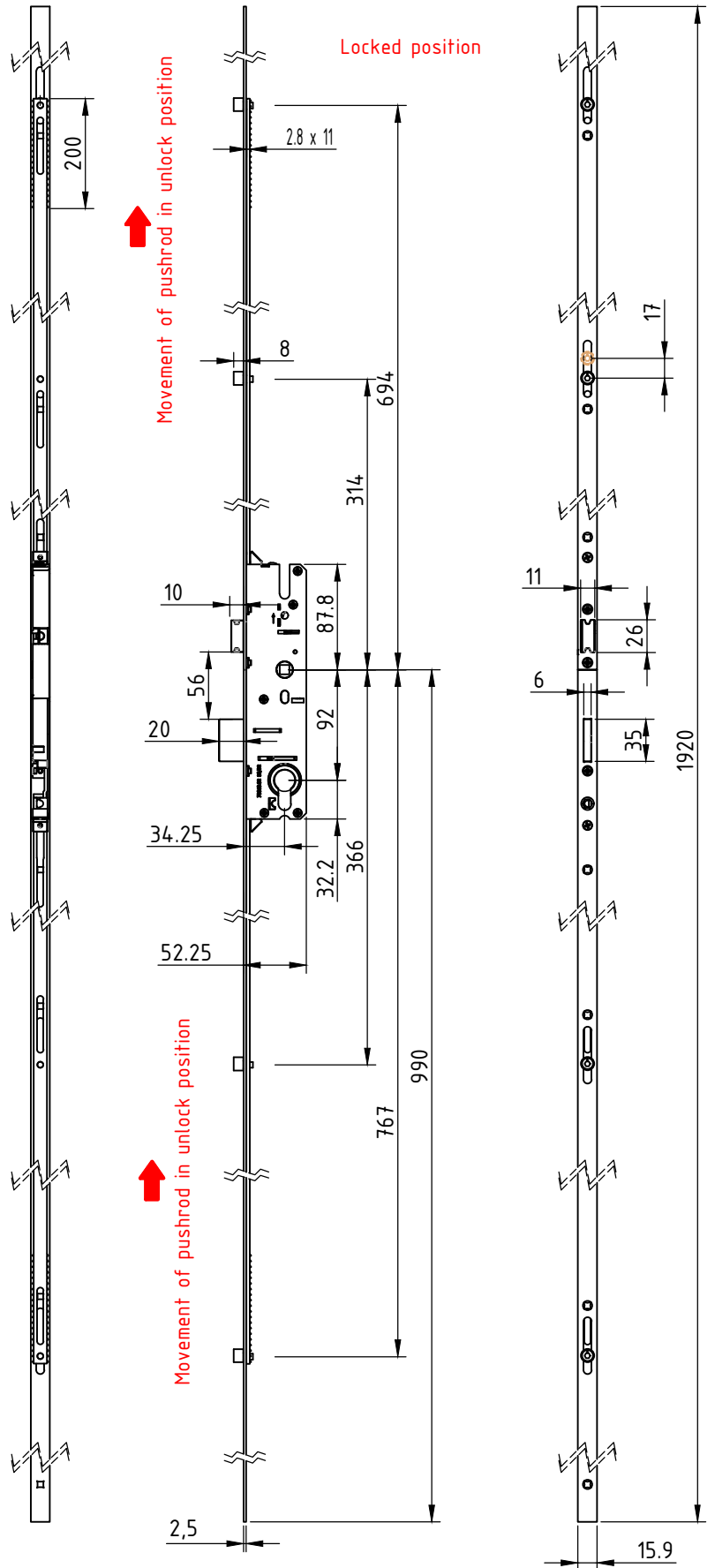
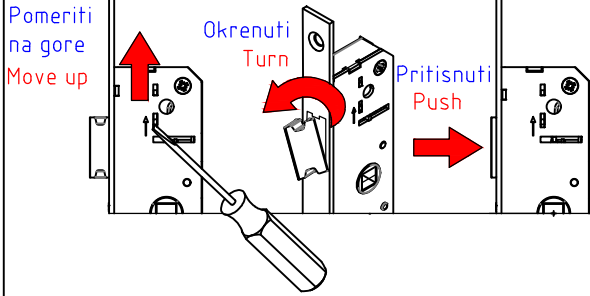


Naziv Name/Название	L (mm)	Artikal Code/Код					
Petozatvorna brava na potez PVC 35/92/16 / Door locks PVC 35/92/16 mm / Дверные замки ПВХ 35/92/16 mm	1920	70560 70561	7	4	200/1	1.257	

Okov za vrata
 Door fittings
 Дверная фурнитура



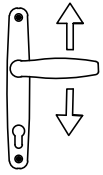
Način okretanja jezička brave
 za desna i leva vrata
 Doorlock setup - orientation
 change for right and left doors



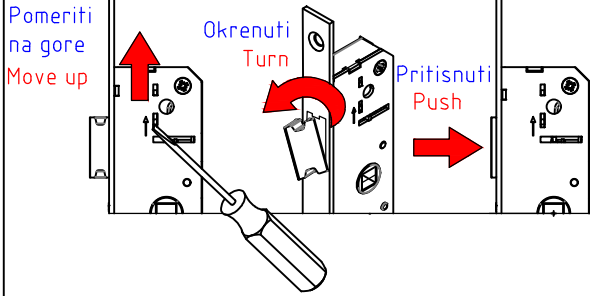
Naziv Name/Название	L (mm)	Artikal Code/Код					
Petozatvorna brava na poŕez sa zupčastom letvom PVC 35/92/16 / Door locks with toothed rack PVC 35/92/16 mm / Дверные замки ПВХ 35/92/16 mm	1920	70565	7	4	200/1	1.297	



Okov za vrata
Door fittings
Дверная фурнитура

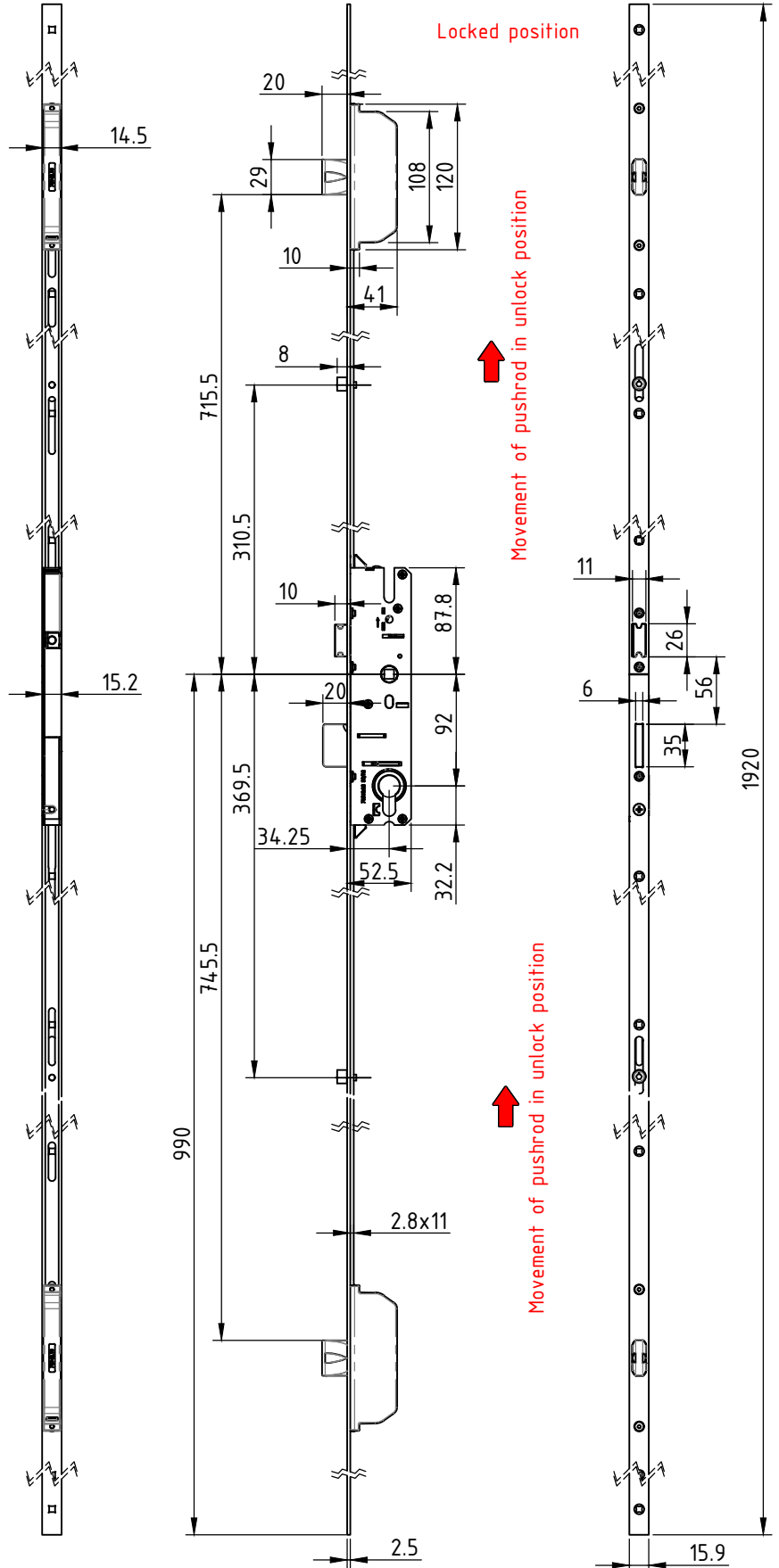
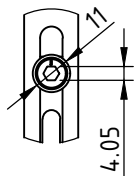
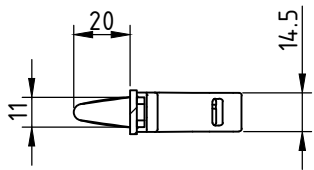


Način okretanja jezička brave
 za desna i leva vrata
 Doorlock setup - orientation
 change for right and left doors



Pocinkovano celo	70570
INOX čelo	70575

Zink forehead	70570
INOX forehead	70575

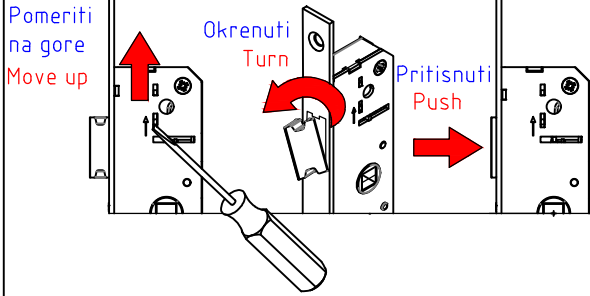


Naziv Name/Название	L (mm)	Artikal Code/Код					
Petozatvorna brava na potez sa jezickom PVC 35/92/16 / Door locks PVC 35/92/16 mm / Дверные замки ПВХ 35/92/16 mm	1920	70570 70575	8	4	50/1	1.297	

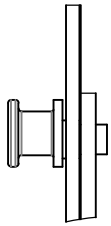
Okov za vrata
 Door fittings
 Дверная фурнитура



Način okretanja jezička brave
 za desna i leva vrata
 Doorlock setup - orientation
 change for right and left doors

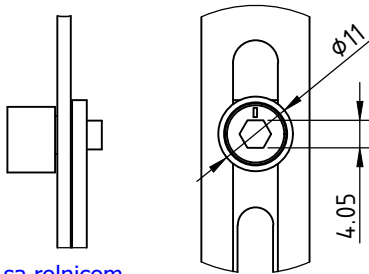


70905 S

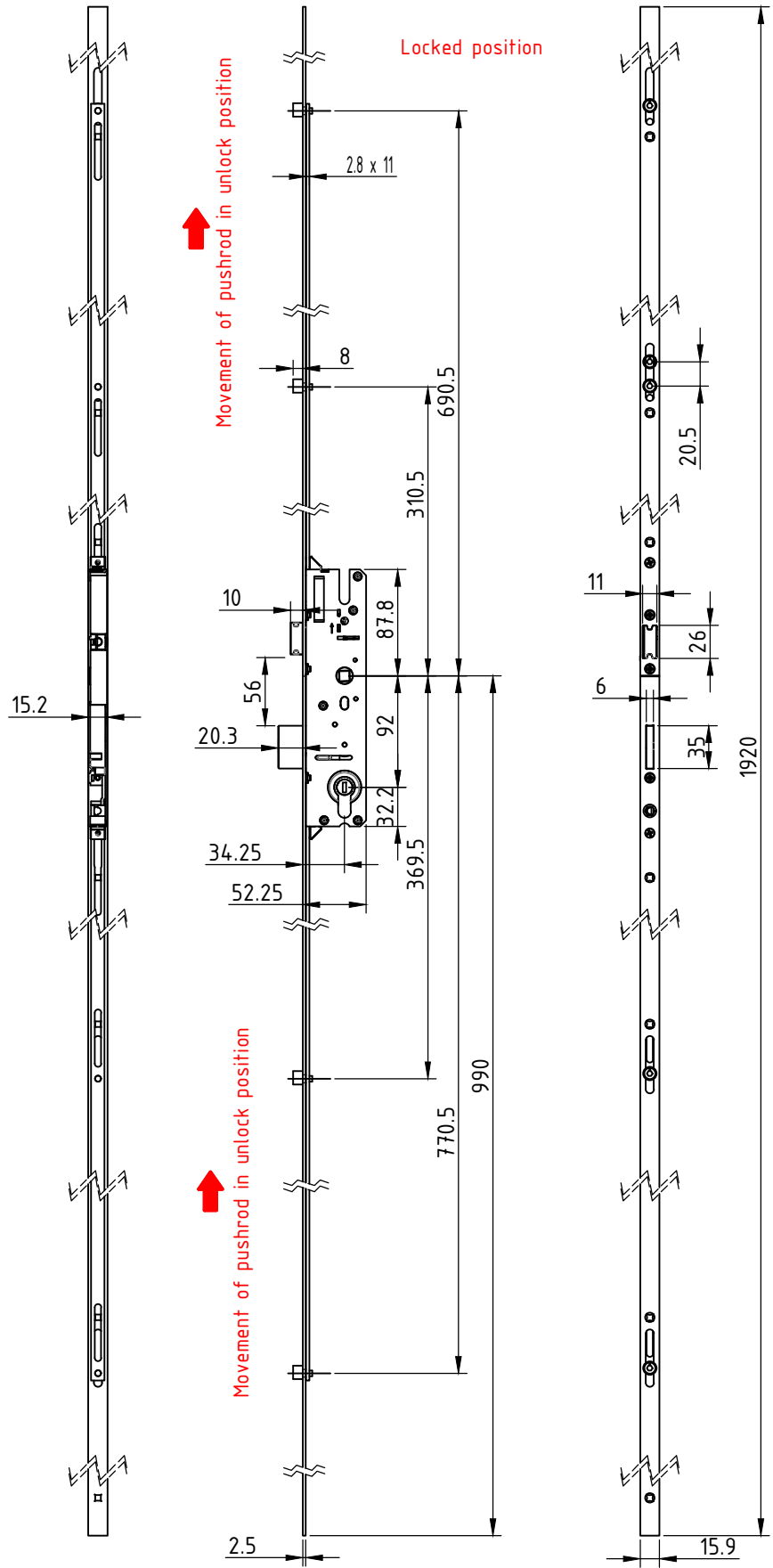


4 x sigurnosni
 ekcentar
 4 x safety eccentric pin

70905



4 x ekcentar sa rolnicom
 4 x roller eccentric pin

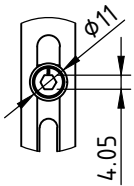
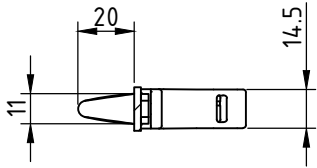
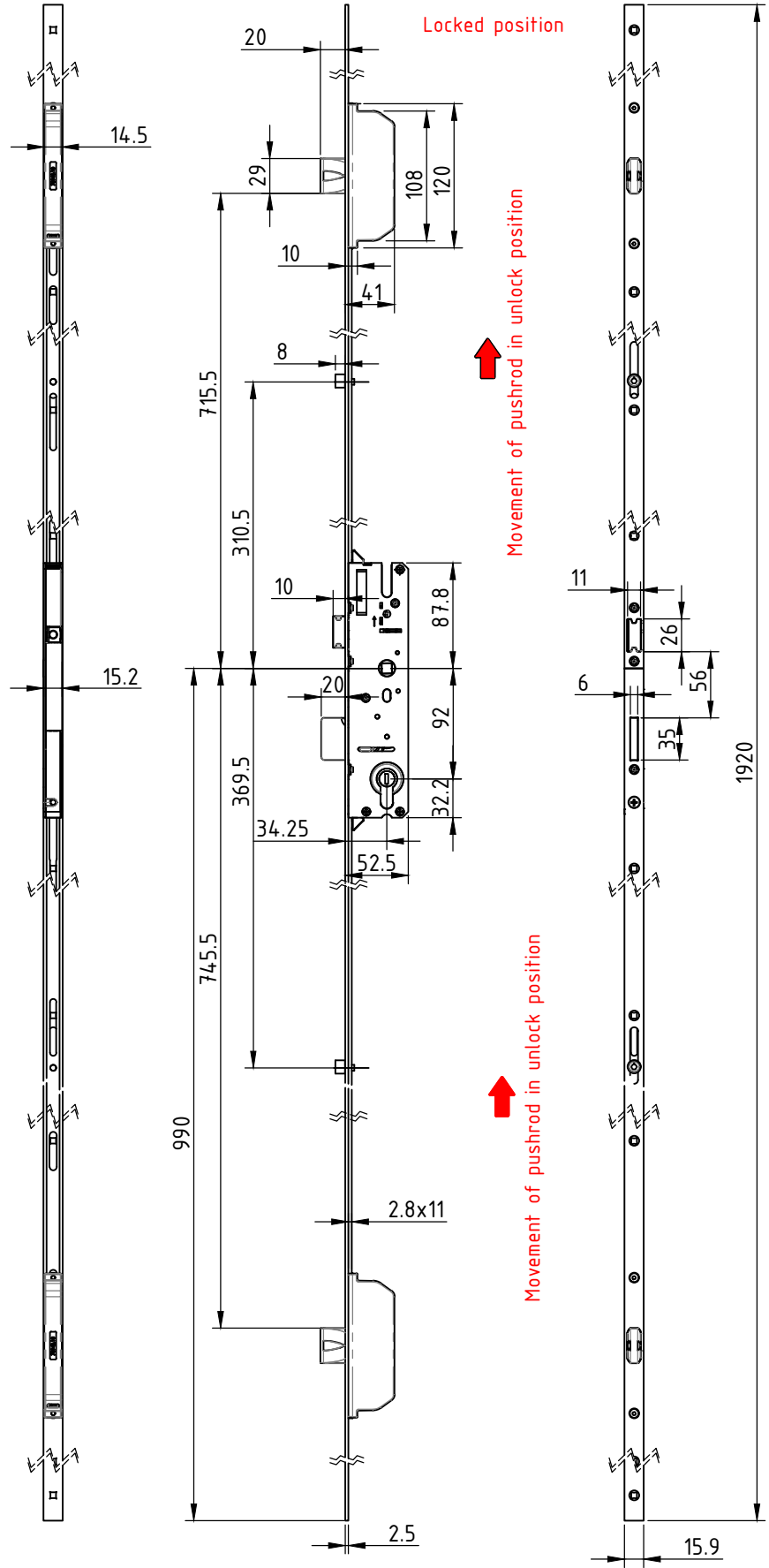
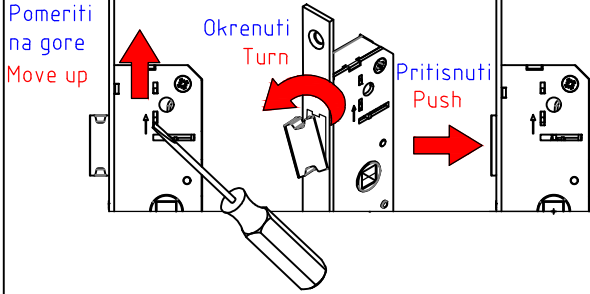


Naziv Name/Название	L (mm)	Artikal Code/Код				kg	
Petozatvorna brava na kljuc PVC 35/92/16 / Door locks PVC 35/92/16 mm / Дверные замки ПВХ 35/92/16 мм	1920	70905 70905 S	7	4	200/1	1.352 1.329	

Okov za vrata
 Door fittings
 Дверная фурнитура

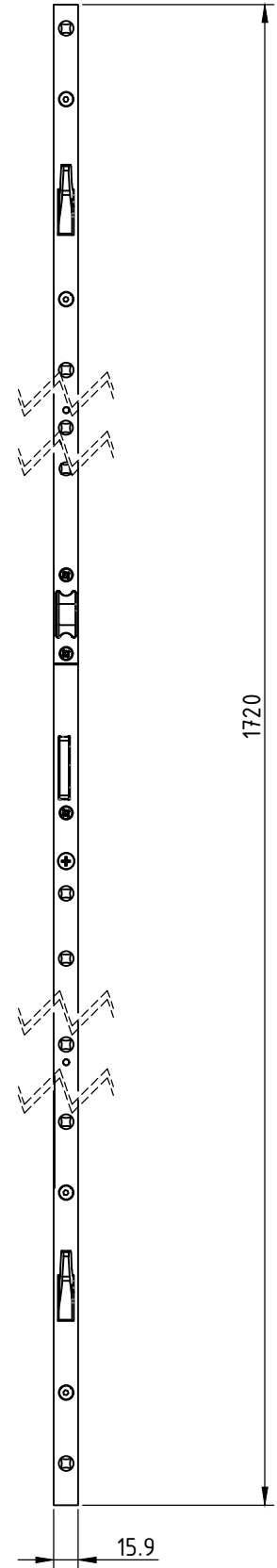
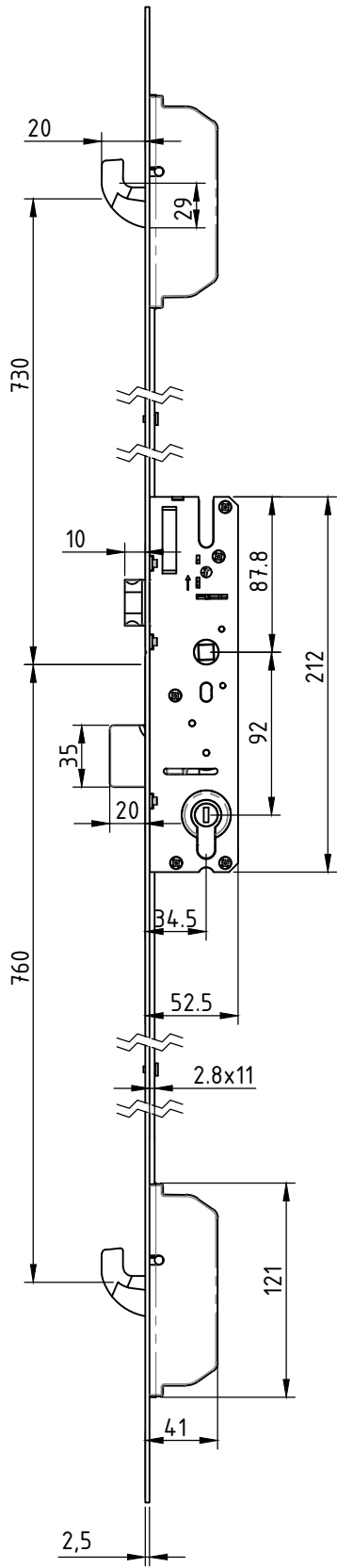
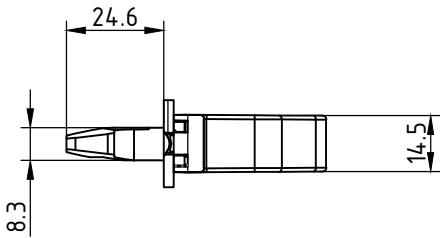
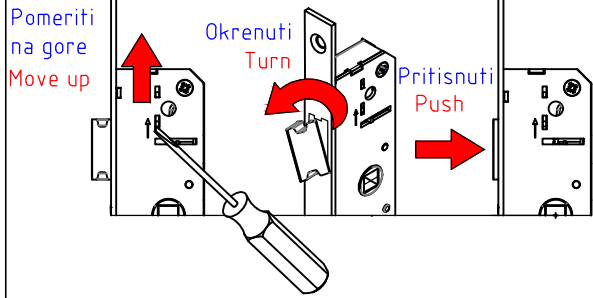


Način okretanja jezička brave
 za desna i leva vrata
 Doorlock setup - orientation
 change for right and left doors



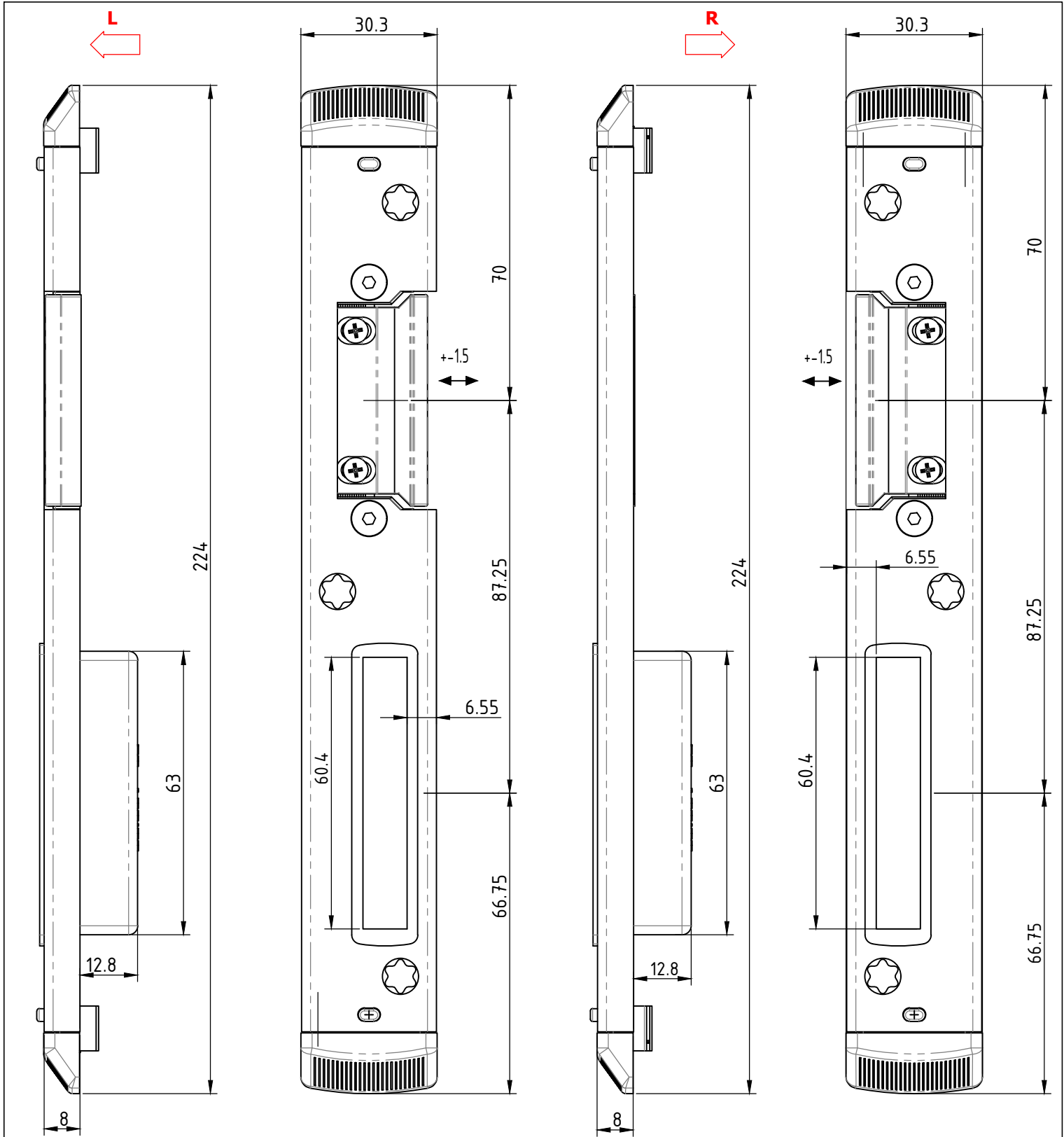
Naziv Name/Название	L (mm)	Artikal Code/Код				kg	
Petozatvorna brava na kljuc sa jezickom PVC 35/92/16 / Door locks PVC 35/92/16 mm / Дверные замки ПВХ 35/92/16 mm	1920	70930	7	4	50/1	1.885	



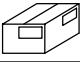


Okov za vrata
 Door fittings
 Дверная фурнитура

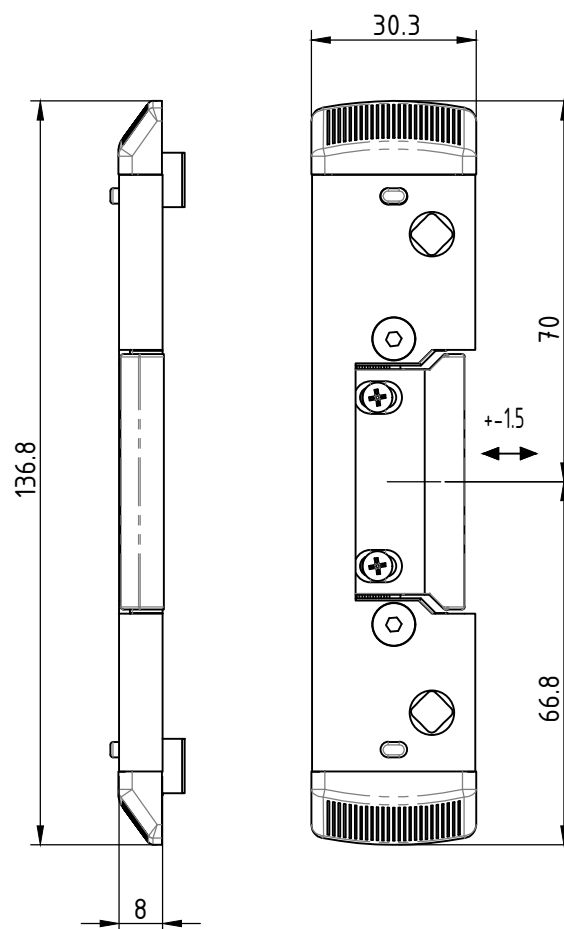




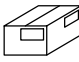


Poz Pos/Поз	Naziv Name/Название	L (mm)	Artikal Code/Код				kg	
	Petozativna brava za PVC vrata 35/92 - ključ (kljun) Multylock 5 points door lock PVC 35/92 - key (leather) Дверные замки 35/ 92 mm	1920	70920	8	/	1/5	1.885	

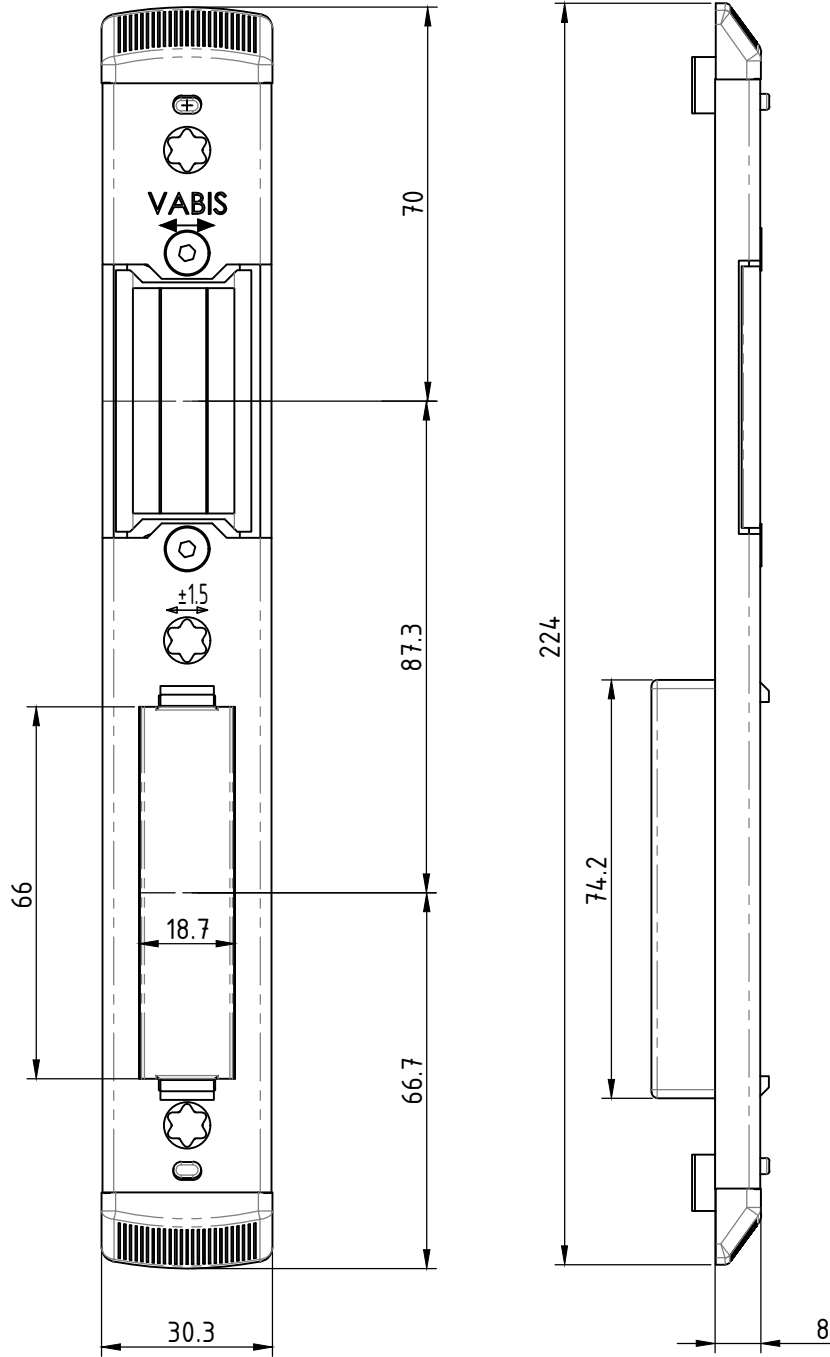
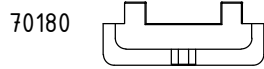
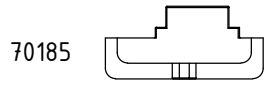
Okov za vrata
 Door fittings
 Дверная фурнитура



Poz Pos/Поз	Naziv Name/Название	L (mm)	Artikal Code/Код					
12.1	Prihvatnik brave za jednokrnlina vrata - L Door lock striker - L/Встречные планки замка - Л	224	70150	3	/	1/100	0.142	48 kut.
	Prihvatnik brave za jednokrnlina vrata - D Door lock striker - R/Встречные планки замка - П	224	70155	3	/	1/100	0.142	48 kut.
	Prihvatnik brave za dvokrnlina vrata - L Door lock striker - L/Встречные планки замка - Л	224	70160	3	/	1/100	0.142	48 kut.
	Prihvatnik brave za dvokrnlina vrata - D Door lock striker - R/Встречные планки замка - П	224	70165	3	/	1/100	0.142	48 kut.

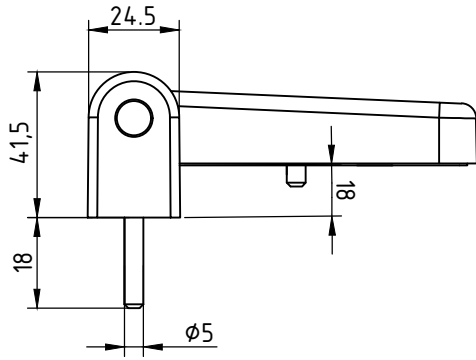


Poz Pos/Поз	Naziv Name/Название	L (mm)	Artikal Code/Код					
12.2	Prihvatnik brave za jednokrilna vrata Door lock striker/Встречные планки замка	136.8	70140	2	/	1/100	0.099	48 kut.
	Prihvatnik brave za dvokrilna vrata Door lock striker/Встречные планки замка	136.8	70145	2	/	1/100	0.099	48 kut.

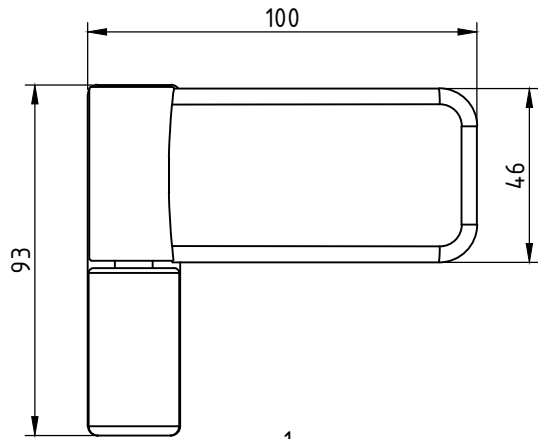


Poz Pos/Поз	Naziv Name/Название	L (mm)	Artikal Code/Код				kg	
12.2	Prihvatnik brave za jednokrnlina vrata Door lock striker/Встречные планки замка	224	70180	3	/	1/100	0.122	48 kut.
	Prihvatnik brave za dvokrnlina vrata Door lock striker/Встречные планки замка	224	70185	3	/	1/100	0.122	48 kut.

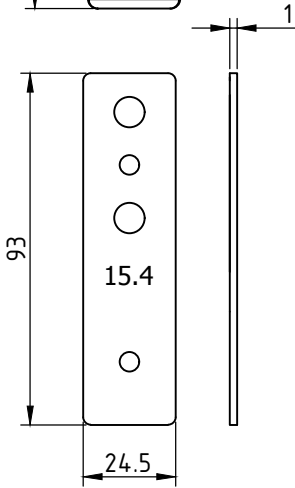
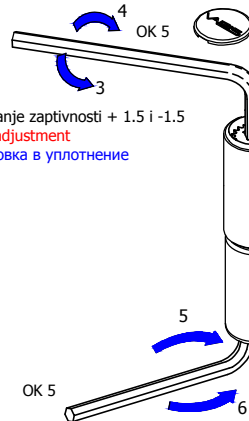
Okov za vrata
 Door fittings
 Дверная фурнитура



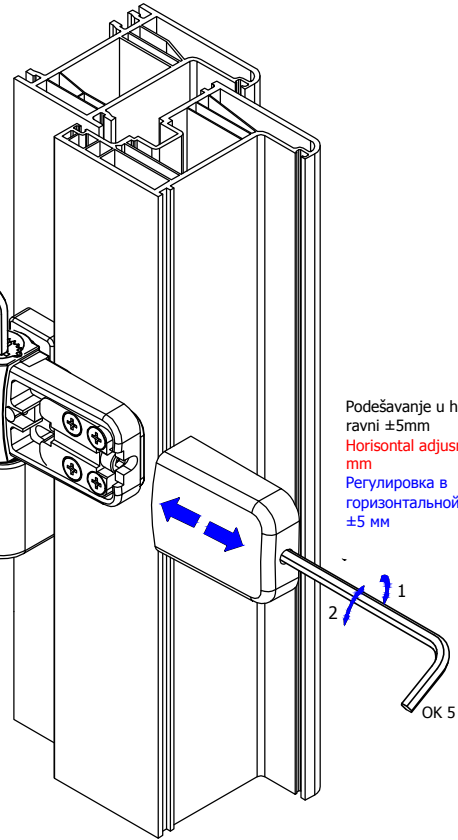
Nazubljena čaura se fiksira u željenom položaju postavljajanjem pokrivne kape
 Fix toothed knob in wanted position with placing the cap
 Втулка фиксируется в нужном положении поместив накладку



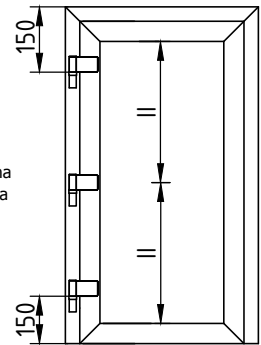
Podešavanje zaptivnosti + 1.5 i -1.5
 Sealing adjustment
 Регулировка в уплотнение



Vertikalno podešavanje iz nulte pozicije podizanje +5mm.
 Vertical adjustment out of balanced position up +5mm, down.
 Вертикальная регулировка в нулевое положение повышение 5 мм.



Podešavanje u horizontalnoj ravni ±5mm
 Horizontal adjustment ±5 mm
 Регулировка в горизонтальной плоскости ±5 мм



Preporučujemo da se ugradnja spojnice na PVC vrata izvrši na mestima označenim na crtežu.

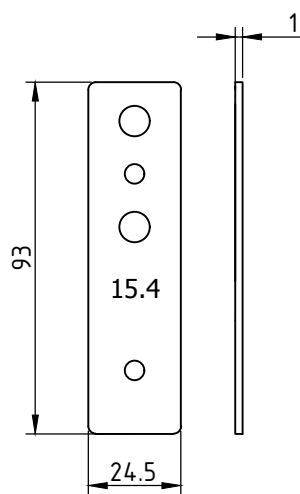
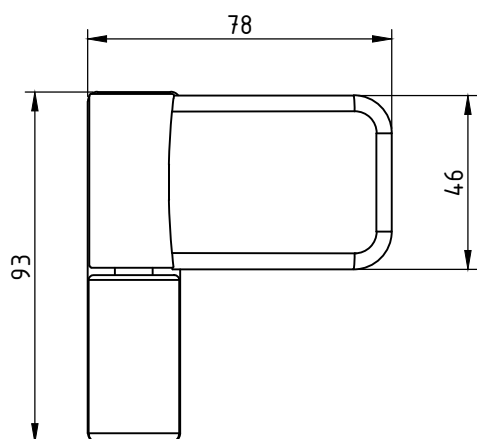
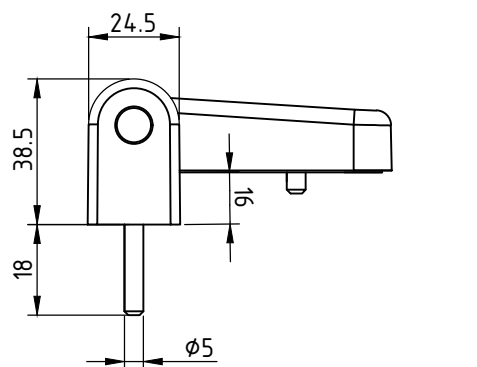
Door hinge installation is recommended according to the drawing.

Рекомендуем для установки петли использовать чертеж.

Nosivost spojnice 100 kg.
 Allowed load 100 kg.
 Можность петли 100 кг.

Poz Pos/Поз	Naziv Name/Название	Artikal Code/Код	Boja Color/Цвет			kg	
15.3	Spojnica za PVC vrata Door hinge Петля фиксированная	20212-1	Bela, RAL 9016 White, RAL 9016/Белый, РАЛ 9016	6	20/1	0.411	240
		20212-7	Braon, RAL 8019/Brown, RAL 8019/Браун, РАЛ 8019	6	20/1	0.411	240
		20212-3	Siva, RAL 9006 Gray, RAL 9006/Серый, РАЛ 9006	6	20/1	0.411	240
		20212-4	Crna, RAL 9005 Black, RAL 9005/Черный, РАЛ 9005	6	20/1	0.411	240
15.4	Podloška za spojnicu Shiw for door hinge Вкладыш для петли	20211-1	Bela, RAL 9016 White, RAL 9016/Белый, РАЛ 9016	6	20/1	0.004	240
		20211-4	Crna, RAL 9005 Black, RAL 9005/Черный, РАЛ 9005	6	20/1	0.004	240

Okov za vrata
Door fittings
Дверная фурнитура

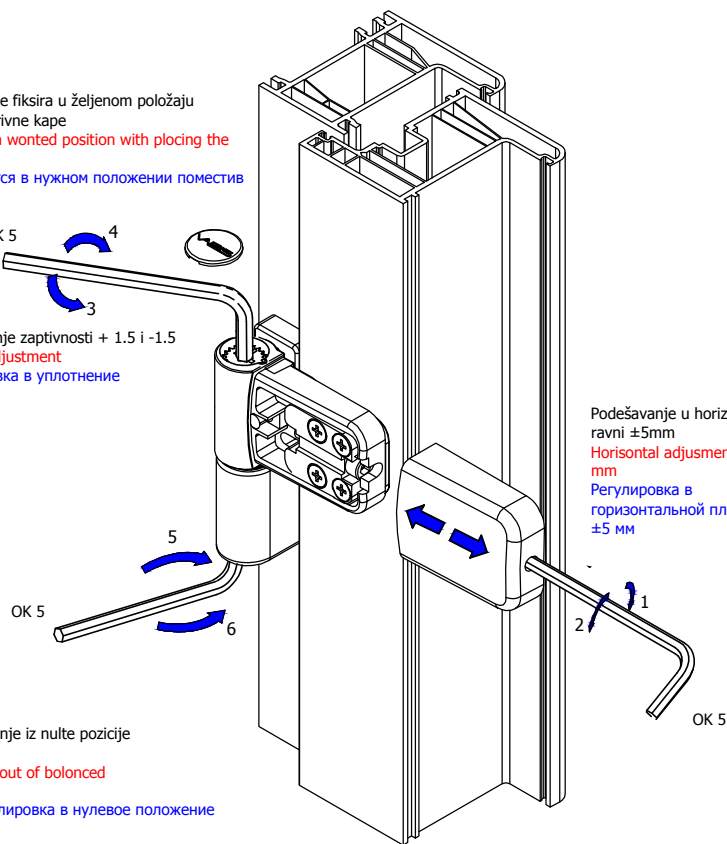


Nazubljena čaura se fiksira u željenom položaju postavljanjem pokrivne kape
 Fix toothed knob in wanted position with placing the cap
 Втулка фиксируется в нужном положении поместив накладку

OK 5
 4
 3
 Podešavanje zaptivnosti + 1.5 i -1.5
 Sealing adjustment
 Регулировка в уплотнение

Vertikalno podešavanje iz nulte pozicije podizanje +5mm
 Vertical adjustment out of balanced position up +5mm
 Вертикальная регулировка в нулевое положение повышение 5 мм

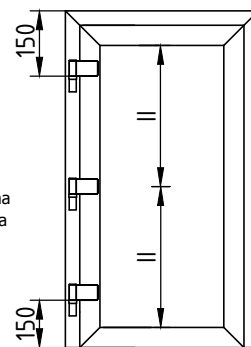
Podešavanje u horizontalnoj ravni ±5mm
 Horizontal adjustment ±5 mm
 Регулировка в горизонтальной плоскости ±5 мм



Preporučujemo da se ugradnja spojnice na PVC vrata izvrši na mestima označenim na crtežu.

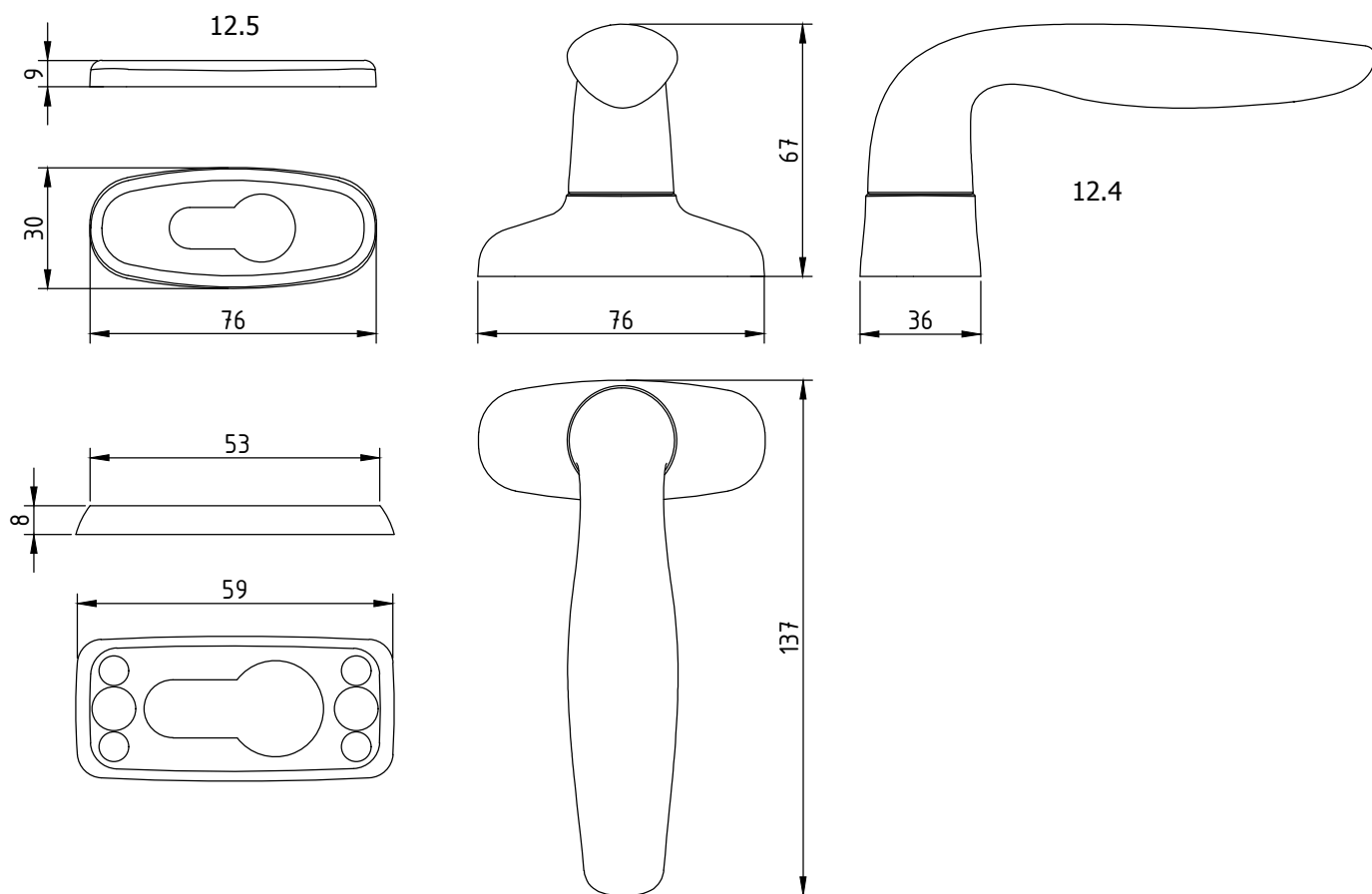
Door hinge installation is recommended according the drawing.

Рекомендуем для установки петли использовать чертеж.



Nosivost spojnice 80 kg.
 Allowed load 80 kg.
 Можно петли 80 кг.

Poz Pos/Поз	Naziv Name/Название	Artikal Code/Код	Boja Color/Цвет			kg	
15.3	Spojnica za PVC vrata Door hinge Петля фиксированная	20222-1	Bela, RAL 9016 White, RAL 9016/Белый, РАЛ 9016	6	20/1	0.396	240
		20222-7	Braon, RAL 8019/Brown, RAL 8019/Браун, РАЛ 8019	6	20/1	0.396	240
		20222-3	Siva, RAL 9006 Gray, RAL 9006/Серый, РАЛ 9006	6	20/1	0.396	240
		20222-4	Crna, RAL 9005 Black, RAL 9005/Черный, РАЛ 9005	6	20/1	0.396	240
15.4	Podloška za spojnicu Shiw for door hinge Вкладыш для петли	20211-1	Bela, RAL 9016 White, RAL 9016/Белый, РАЛ 9016	6	20/1	0.004	240
		20211-4	Crna, RAL 9005 Black, RAL 9005/Черный, РАЛ 9005	6	20/1	0.004	240



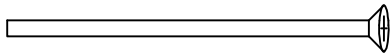
Četvrtka	8x8x145	za sve profile	1 kom
Quadrate		for all profiles	
Стержень стальной		для всех профилей	

Poz Pos/Поз	Naziv Name/Название	Artikal Code/Код	Boja Color/Цвет			kg	
12.4	Kvaka za ulazna vrata Door handle Дверной защелки	80110-1	Bela, RAL 9016 White, RAL 9016/Белый, РАЛ 9016	2	20/1	0.448	48 kut.
		80110-7	Braon, RAL 8019 Brown, RAL 8019/Браун, РАЛ 8019	2	20/1	0.448	48 kut.
		80110-3	Siva, RAL 9006 Gray, RAL 9006/Серый, РАЛ 9006	2	20/1	0.448	48 kut.
		80110-4	Crna, RAL 9005 Black, RAL 9005/Черный, РАЛ 9005	2	20/1	0.448	48 kut.
12.5	Maska za cilindar brave Cylinder cap Накладка цилиндра замка	80410-1	Bela, RAL 9016 White, RAL 9016/Белый, РАЛ 9016	2	20/1	0.038	48 kut.
		80410-7	Braon, RAL 8019 Brown, RAL 8019/Браун, РАЛ 8019	2	20/1	0.038	48 kut.
		80410-3	Siva, RAL 9006 Gray, RAL 9006/Серый, РАЛ 9006	2	20/1	0.038	48 kut.
		80410-4	Crna, RAL 9005 Black, RAL 9005/Черный, РАЛ 9005	2	20/1	0.038	48 kut.

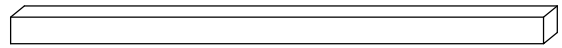
Okov za vrata

Door fittings

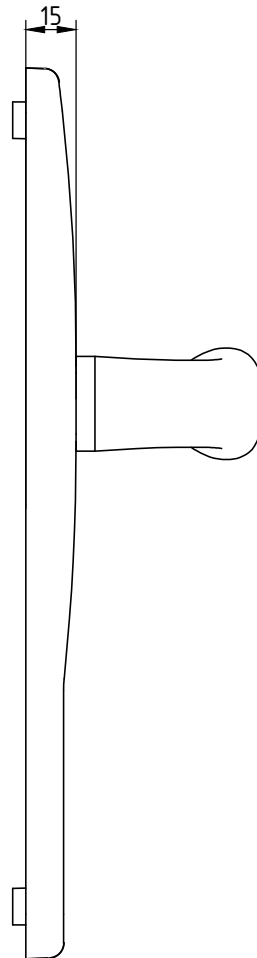
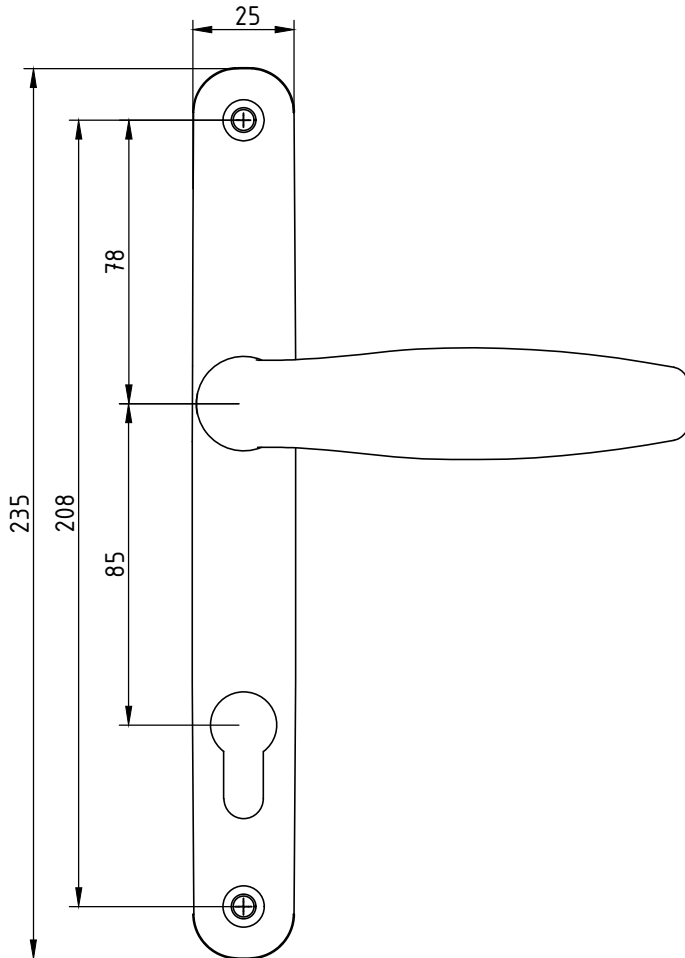
Дверная фурнитура







Zavrtanj	M5x90	za sve profile	2 kom
Screw		for all profiles	
Болт		для всех профилей	

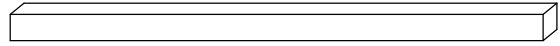
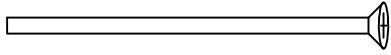


Četvrtka	8x8x145	za sve profile	1 kom
Quadrate		for all profiles	
Стержень стальной		для всех профилей	



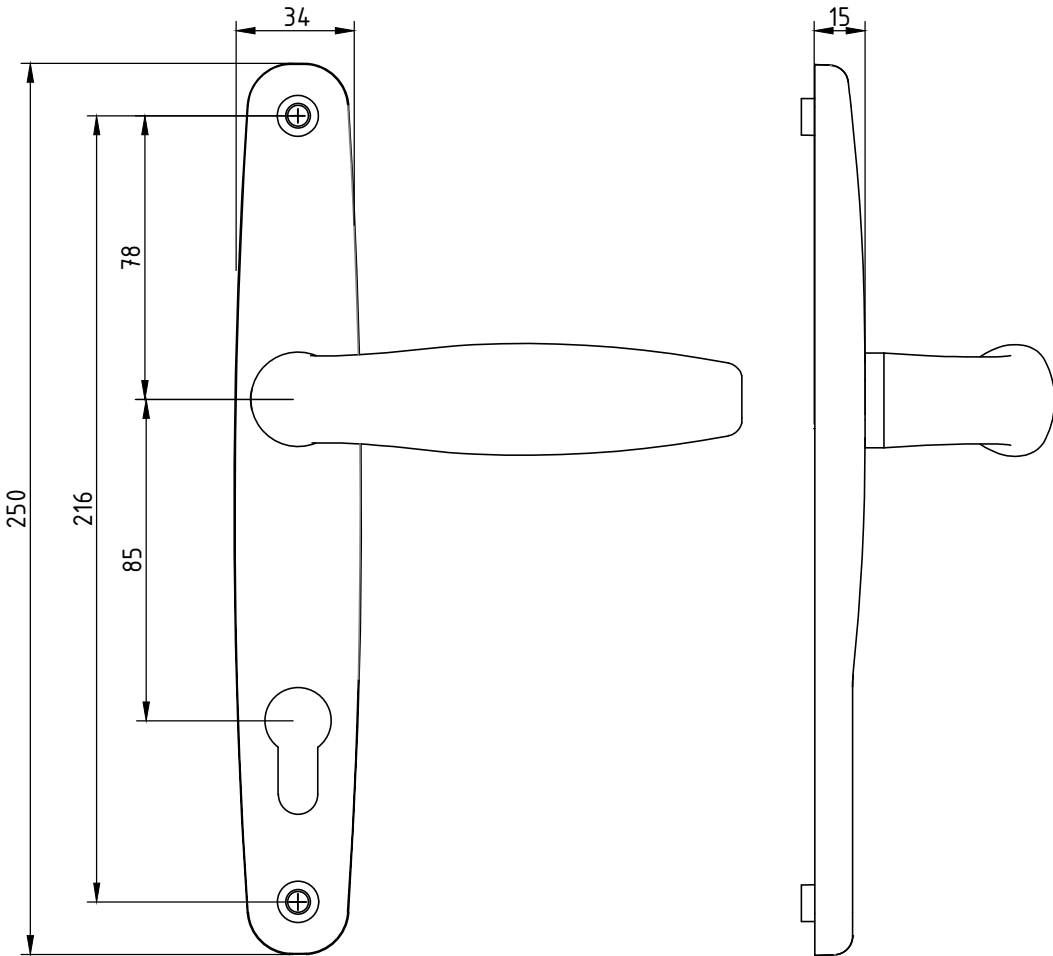
Poz Pos/Поз	Naziv Name/Название	Artikal Code/Код	Voja Color/Цвет				
16.10	Квака за ulazna vrata 25/85 Door handle 25/85 Дверной защелки 25/85	80215-1	Bela, RAL 9016 White, RAL 9016/Белый, РАЛ 9016	2	20/1	0.494	48 kut.
		80215-7	Braon, RAL 8019 Brown, RAL 8019/Браун, РАЛ 8019	2	20/1	0.494	48 kut.
		80215-3	Siva, RAL 9006 Gray, RAL 9006/Серый, РАЛ 9006	2	20/1	0.494	48 kut.
		80215-4	Crna, RAL 9005 Black, RAL 9005/Черный, РАЛ 9005	2	20/1	0.494	48 kut.

Okov za vrata
 Door fittings
 Дверная фурнитура



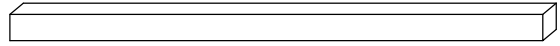
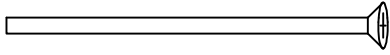
Zavrtanj	M5x90	za sve profile	2 kom
Screw		for all profiles	
Болт		для всех профилей	

Četvrtka	8x8x145	za sve profile	1 kom
Quadrate		for all profiles	
Стержень стальной		для всех профилей	



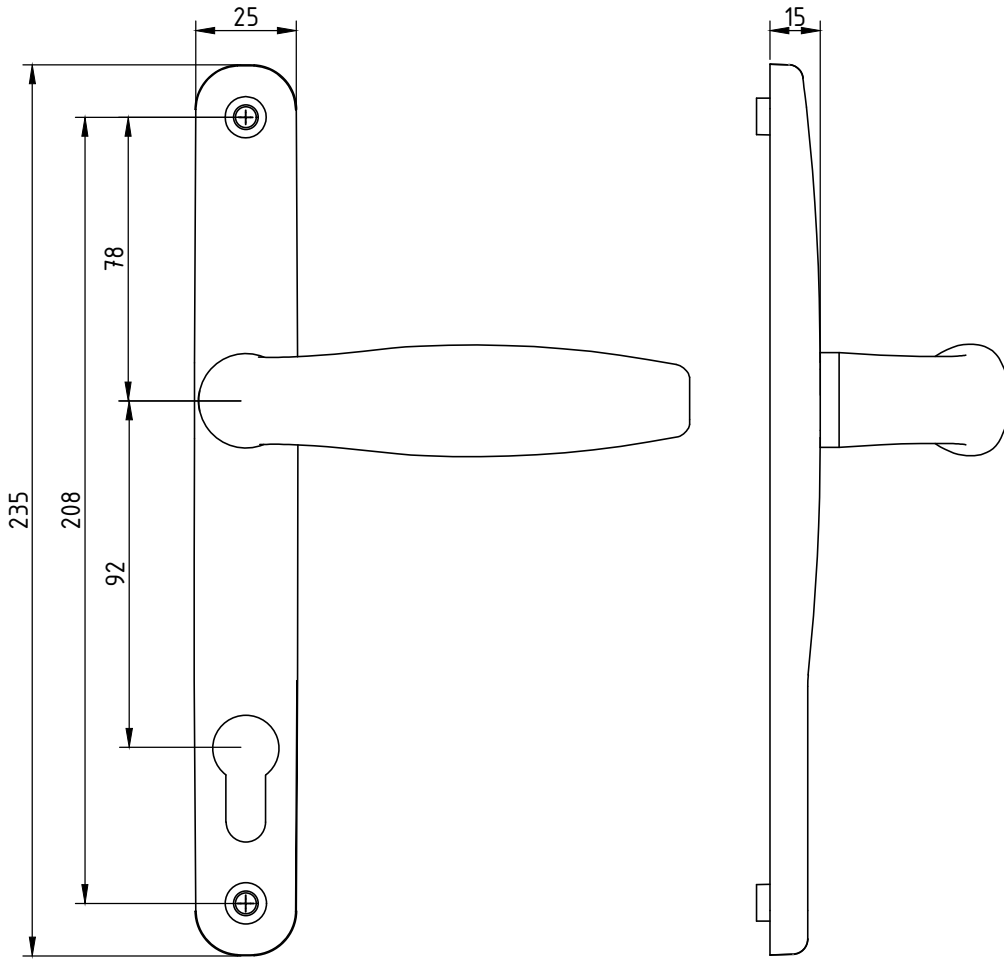
Poz Pos/Поз	Naziv Name/Название	Artikal Code/Код	Voja Color/Цвет			kg	
16.11	Квака за ulazna vrata 34/85 Door handle 34/85 Дверной защелки 34/85	80220-1	Bela, RAL 9016 White, RAL 9016/Белый, РАЛ 9016	2	15/1	0.640	48 kut.
		80220-7	Braon, RAL 8019 Brown, RAL 8019/Браун, РАЛ 8019	2	15/1	0.640	48 kut.
		80220-3	Siva, RAL 9006 Gray, RAL 9006/Серый, РАЛ 9006	2	15/1	0.640	48 kut.
		80220-4	Crna, RAL 9005 Black, RAL 9005/Черный, РАЛ 9005	2	15/1	0.640	48 kut.

Okov za vrata
 Door fittings
 Дверная фурнитура



Zavrtanj	M5x90	za sve profile	2 kom
Screw		for all profiles	
Болт		для всех профилей	

Četvrtka	8x8x145	za sve profile	1 kom
Quadrate		for all profiles	
Стержень стальной		для всех профилей	

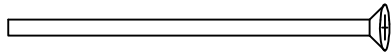


Poz Pos/Поз	Naziv Name/Название	Artikal Code/Код	Voja Color/Цвет			kg	
16.12	Квака за ulazna vrata 25/92 Door handle 25/92 Дверной защелки 25/92	80225-1	Bela, RAL 9016 White, RAL 9016/Белый, РAL 9016	2	20/1	0.500	48 kut.
		80225-7	Braon, RAL 8019 Brown, RAL 8019/Браун, РAL 8019	2	20/1	0.500	48 kut.
		80225-3	Siva, RAL 9006 Gray, RAL 9006/Серый, РAL 9006	2	20/1	0.500	48 kut.
		80225-4	Crna, RAL 9005 Black, RAL 9005/Черный, РAL 9005	2	20/1	0.500	48 kut.

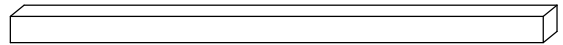
Okov za vrata

Door fittings

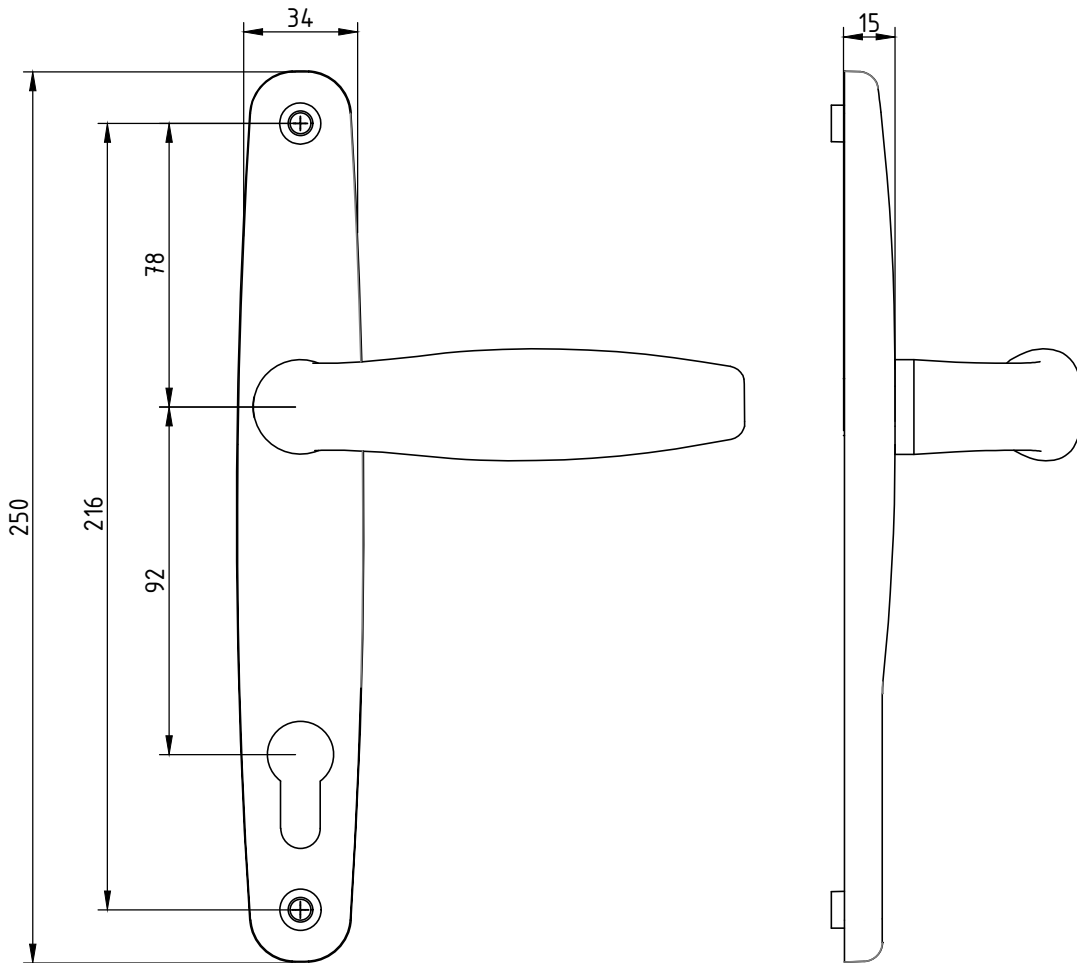
Дверная фурнитура



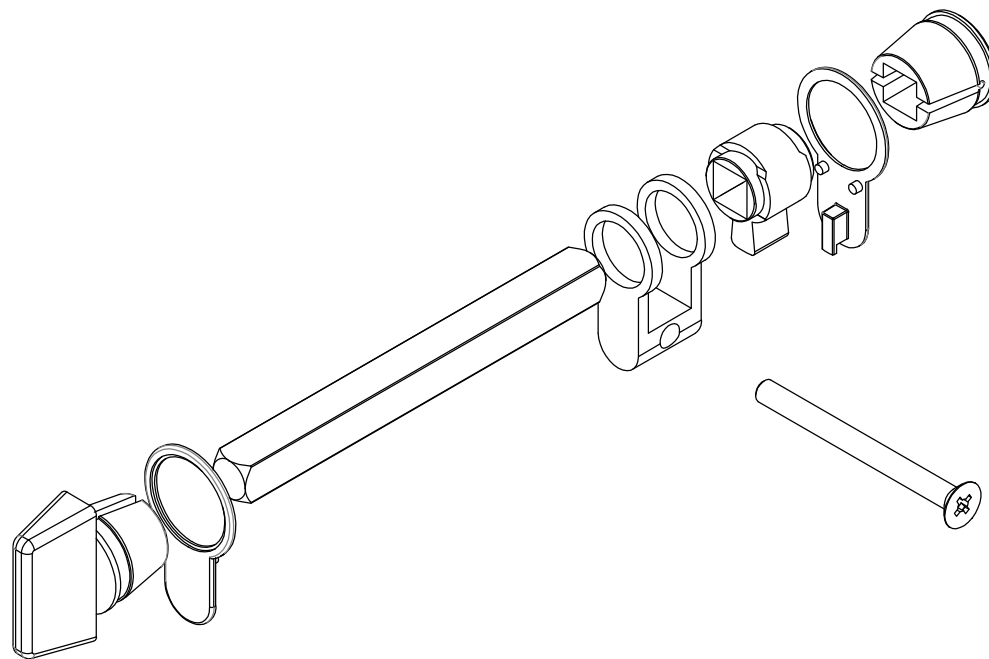
Zavrtanj	M5x90	za sve profile	2 kom
Screw		for all profiles	
Болт		для всех профилей	







Četvrtka	8x8x145	za sve profile	1 kom
Quadrate		for all profiles	
Стержень стальной		для всех профилей	



Poz Pos/Поз	Naziv Name/Название	Artikal Code/Код	Voja Color/Цвет			kg	
16.13	Квака за ulazna vrata 34/92 Door handle 34/92 Дверной защелки 34/92	80230-1	Bela, RAL 9016 White, RAL 9016/Белый, РАЛ 9016	2	15/1	0.643	48 kut.
		80230-7	Braon, RAL 8019 Brown, RAL 8019/Браун, РАЛ 8019	2	15/1	0.643	48 kut.
		80230-3	Siva, RAL 9006 Gray, RAL 9006/Серый, РАЛ 9006	2	15/1	0.643	48 kut.
		80230-4	Crna, RAL 9005 Black, RAL 9005/Черный, РАЛ 9005	2	15/1	0.643	48 kut.



Poz Pos/Поз	Naziv Name/Название	Artikal Code/Код	Boja Color/Цвет			kg 	
		80505-1	Bela, RAL 9016 White, RAL 9016/Белый, РАЛ 9016	1	100/1	0.093	48 kut.
		80505-7	Braon, RAL 8019 Brown, RAL 8019/Браун, РАЛ 8019	1	100/1	0.093	48 kut.
		80505-3	Siva, RAL 9006 Gray, RAL 9006/Серый, РАЛ 9006	1	100/1	0.093	48 kut.
		80505-4	Crna, RAL 9005 Black, RAL 9005/Черный, РАЛ 9005	1	100/1	0.093	48 kut.
	Квака za ulazna vrata 34/92 Door handle 34/92 Дверной защелки 34/92						



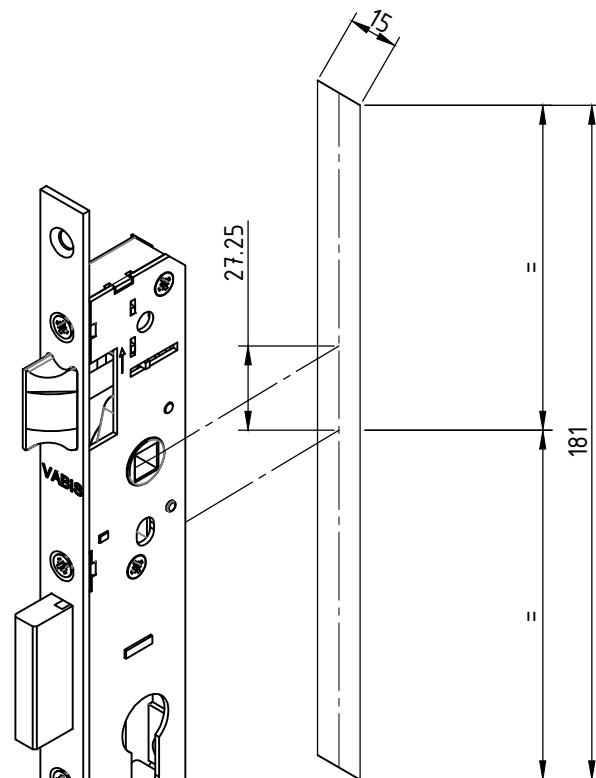
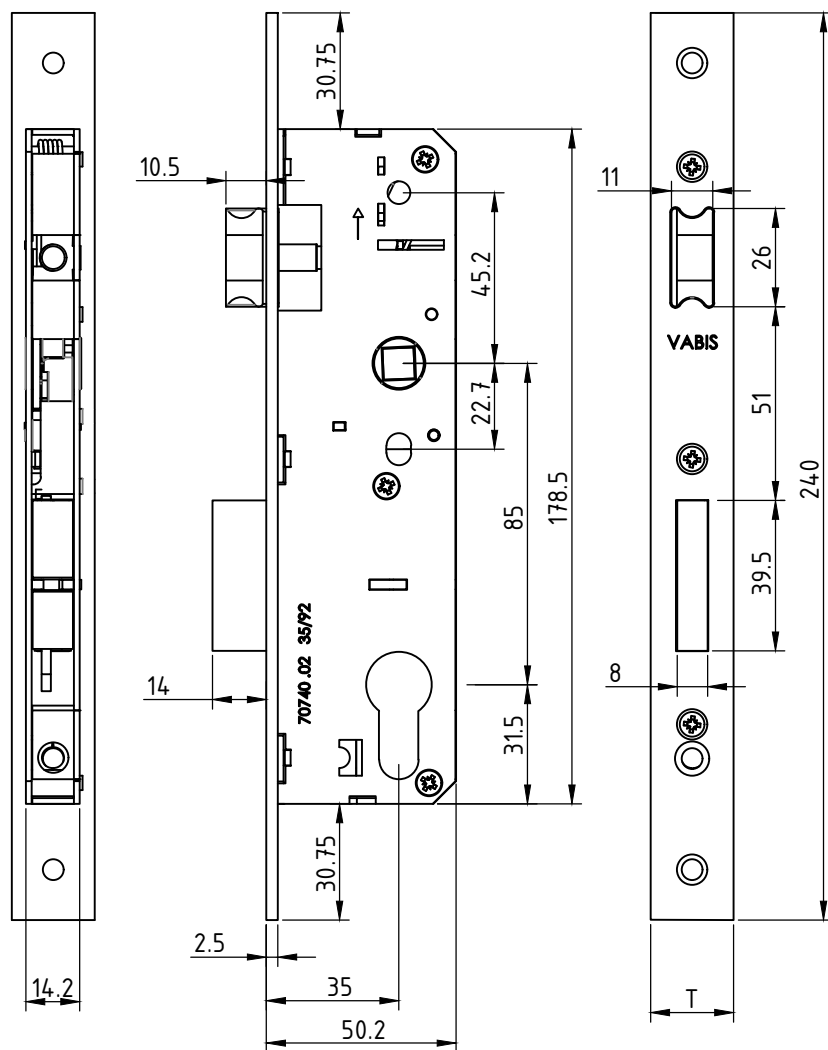
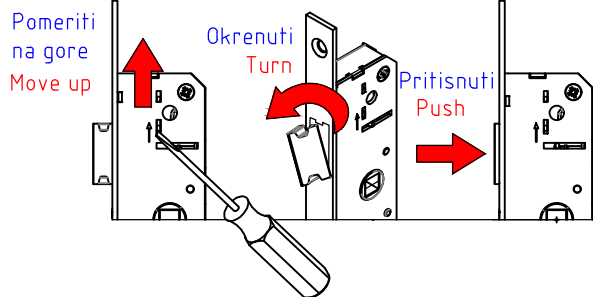
*Okov za vrata od aluminijumskih
profila*

*Door fittings for
aluminum profiles*

*Дверная фурнитура для
алюминиевых профилей*



Način okretanja jezička brave
za desna i leva vrata
Doorlock setup - orientation
change for right and left doors



Doorlock assembling

Brava za AL vrata 35/85
Četvrtka 8x8
Pocinkovano i prohromsko celo
otporno na koroziju
Svaka brava upakovana u
specijalno dizajnirane kutije

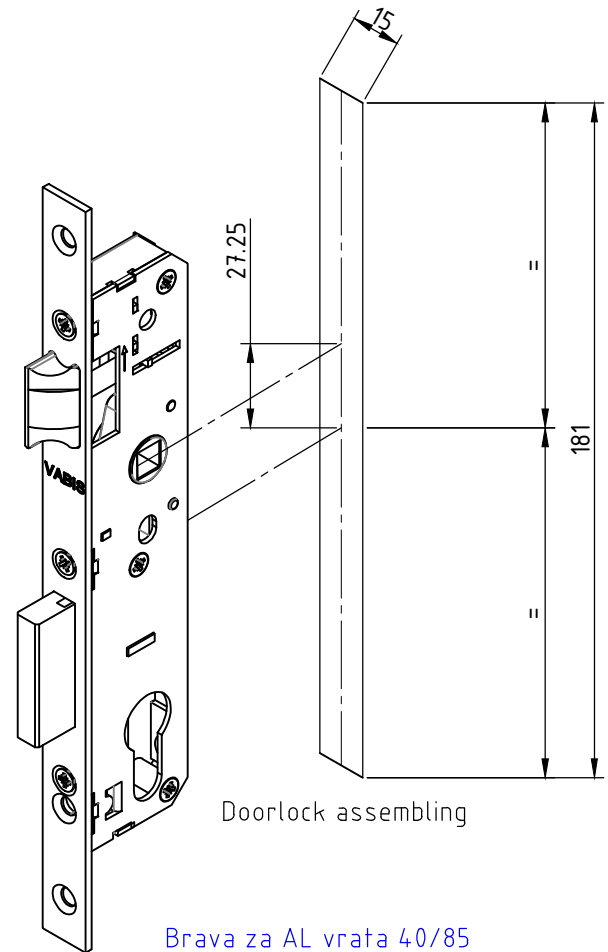
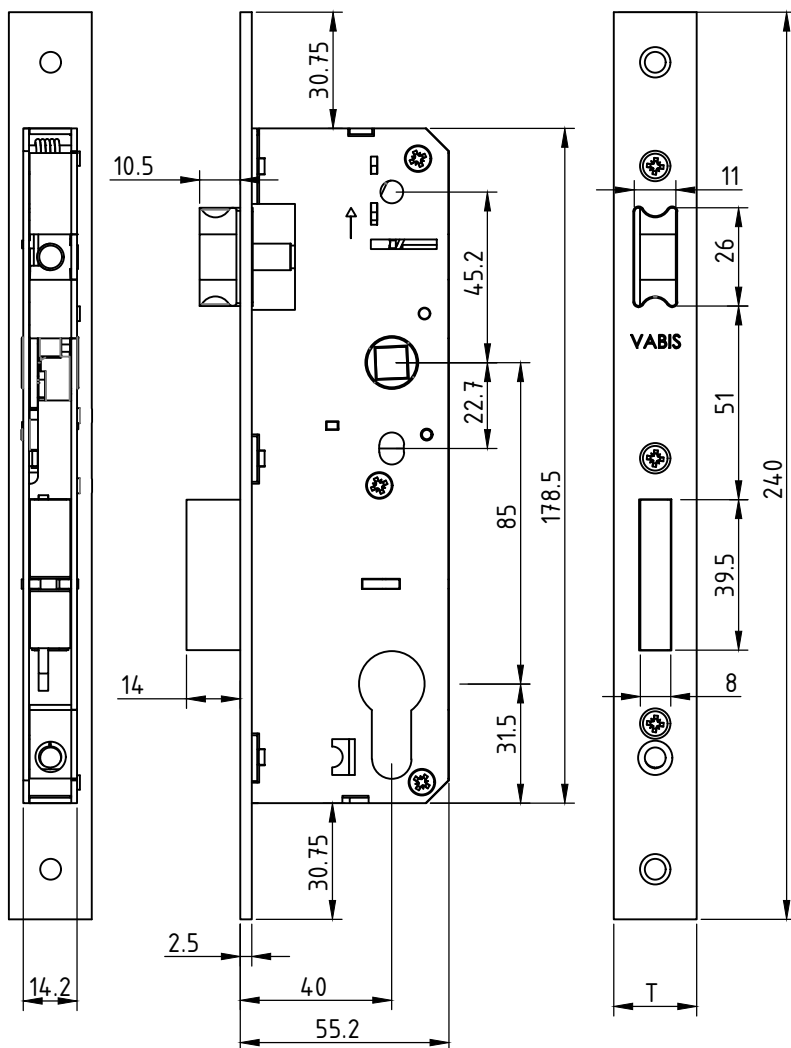
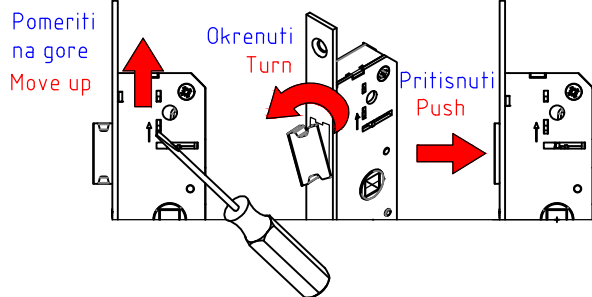
Door lock AL 35/85 mm
8x8 mm square
Zink plated and Inox forehead
corrosion resistance
Every single door lock packed
into a special design carton box

- Standardna varijanta
- Standard variant
- Minimalna količina za narucivanje
300 kom
- Minimum quantity for order
300 pcs

Naziv Name/Название	T (mm)	L (mm)	Artikal Code/Код						
Brava za metalna vrata - 35/85/22 mm INOX Čelo Door lock 35/85/22 mm - INOX forehead Дверные замки 35/85/22 mm	<input type="radio"/>	22	240	70600	2	/	40/1	0.457	48 kut.
Brava za metalna vrata - 35/85/22 mm Pocinkovano čelo Door lock 35/85/22 mm - Zn plated forehead Дверные замки 35/85/22 mm	<input type="radio"/>	22	240	70610	2	/	40/1	0.462	48 kut.
Brava za metalna vrata - 35/85/24 mm INOX Čelo Door lock 35/85/24 mm - INOX forehead Дверные замки 35/85/24 mm	<input checked="" type="checkbox"/>	24	240	70612	2	/	40/1	0.471	48 kut.



Način okretanja jezička brave
za desna i leva vrata
Doorlock setup - orientation
change for right and left doors



Doorlock assembling

Brava za AL vrata 40/85
Četvrtka 8x8
Pocinkovano i prohromsko celo
otporno na koroziju
Svaka brava upakovana u
specijalno dizajnirane kutije

Door lock AL 40/85 mm
8x8 mm square
Zink plated and Inox forehead
corrosion resistance
Every single door lock packed
into a special design carton box

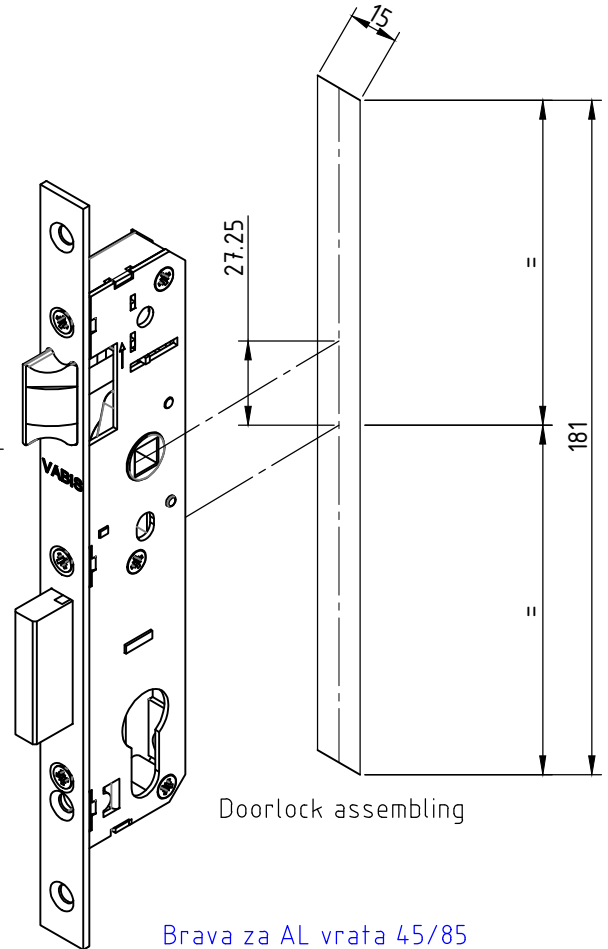
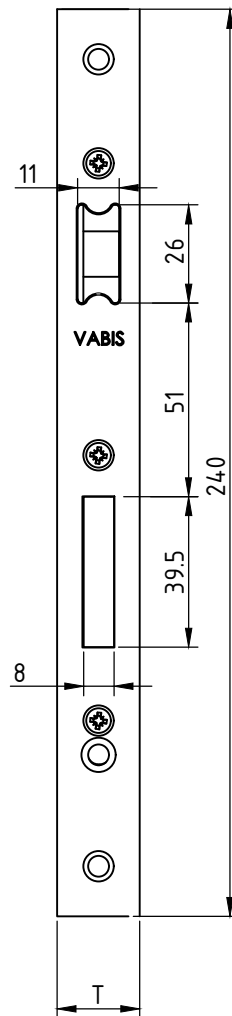
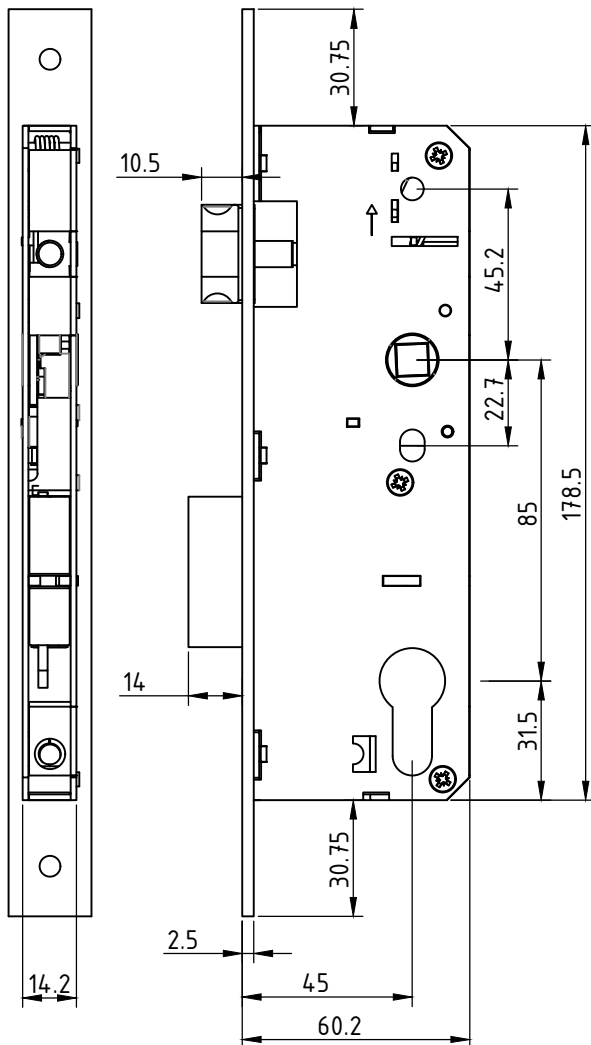
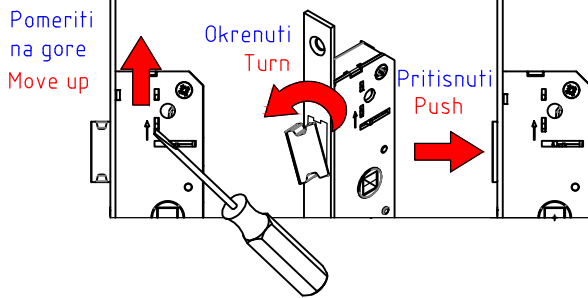
Minimalna količina za narucivanje
300 kom

Minimum quantity for order
300 pcs

Naziv Name/Название	T (mm)	L (mm)	Artikal Code/Код					
Brava za metalna vrata -40/85/22 mm INOX Čelo Door lock 40/85/22 mm - INOX forehead Дверные замки 40/85/22 мм	22	240	70670	2	/	40/1	0.492	48 kut.
Brava za metalna vrata - 40/85/22 mm Pocinkovano čelo Door lock 40/85/22 mm - Zn plated forehead Дверные замки 40/85/22 мм	22	240	70675	2	/	40/1	0.497	48 kut.
Brava za metalna vrata -40/85/24 mm INOX Čelo Door lock 40/85/24 mm - INOX forehead Дверные замки 40/85/24 мм	24	240	70676	2	/	40/1	0.506	48 kut.



Način okretanja jezička brave
za desna i leva vrata
Doorlock setup - orientation
change for right and left doors



Doorlock assembling

Brava za AL vrata 45/85
Četvrtka 8x8
Pocinkovano i prohromsko celo
otporno na koroziju
Svaka brava upakovana u
specijalno dizajnirane kutije

Door lock AL 45/85 mm
8x8 mm square
Zink plated and Inox forehead
corrosion resistance
Every single door lock packed
into a special design carton box

Minimalna količina za narucivanje
300 kom

Minimum quantity for order
300 pcs

Naziv Name/Название	T (mm)	L (mm)	Artikal Code/Код					
Brava za metalna vrata -45/85/22 mm INOX Čelo Door lock 45/85/22 mm - INOX forehead Дверные замки 45/85/22 мм	22	240	70685	2	/	40/1	0.526	48 kut.
Brava za metalna vrata - 45/85/22 mm Pocinkovano čelo Door lock 45/85/22 mm - Zn plated forehead Дверные замки 45/85/22 мм	22	240	70690	2	/	40/1	0.531	48 kut.
Brava za metalna vrata -45/85/24 mm INOX Čelo Door lock 45/85/24 mm - INOX forehead Дверные замки 45/85/24 мм	24	240	70692	2	/	40/1	0.540	48 kut.

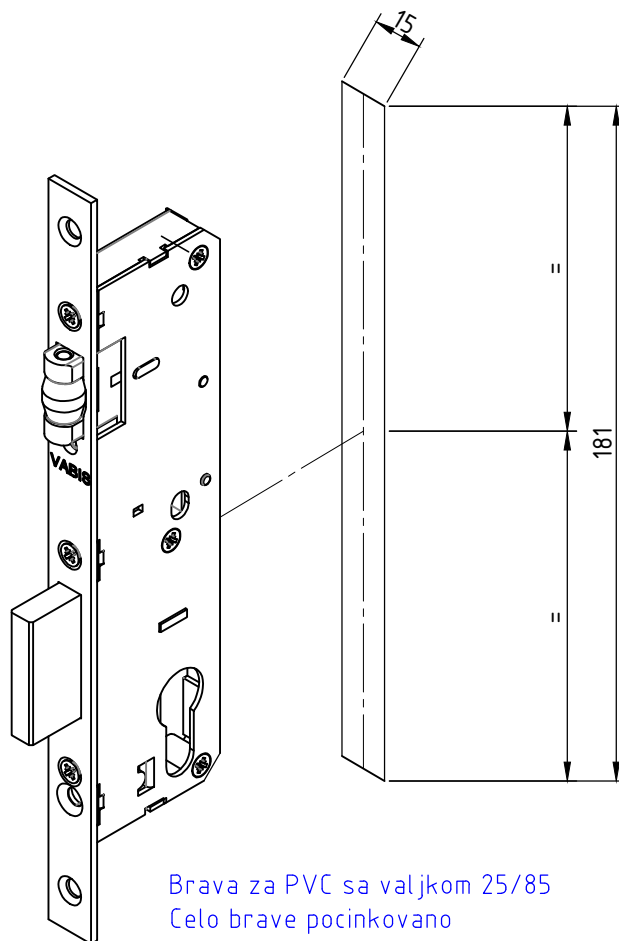
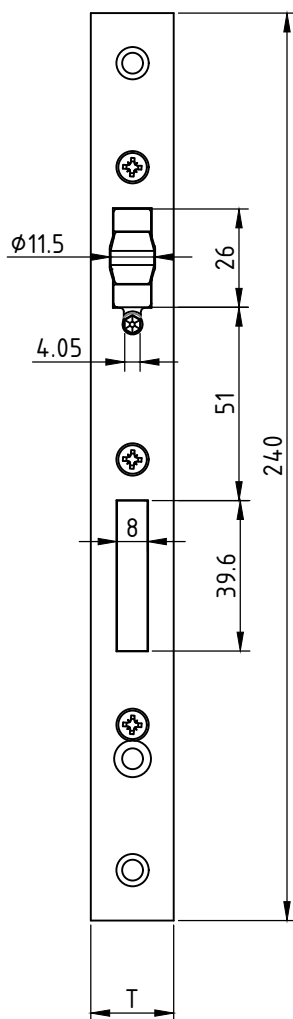
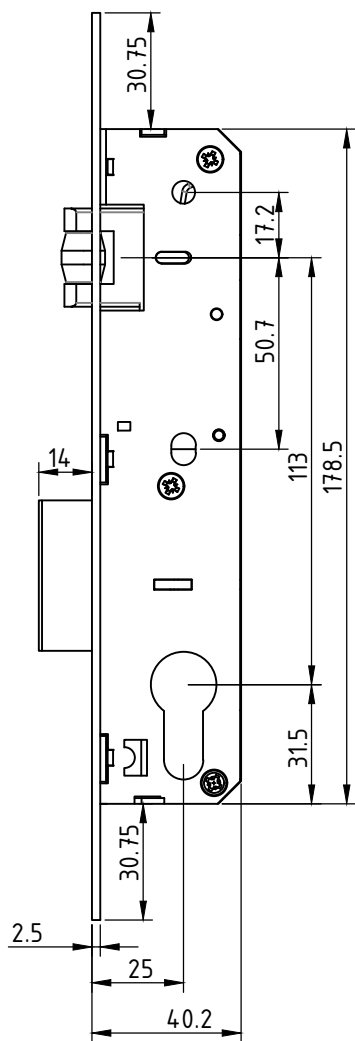
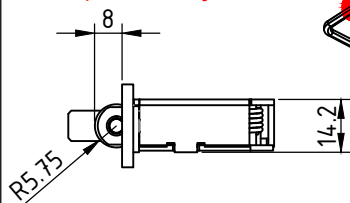
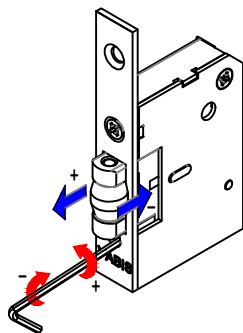


Podesavanje visine valjka

Valjak se podesava Imbus ključem 4, rotirajući levo ili desno valjak menja dužinu

Roller adjust

Allen key 4 - turn left and right to adjust roller length



Brava za PVC sa valjkom 25/85
Celo brave pocinkovano
zasticeno od korozije
Svaka brava pakovana u
specijalno dizajnirane kutije
Valjak sa mehanizmom za
podesavanje

Door lock for PVC with roller
25/85
Zink plated forehead corrosion
resistance
Every single door lock packed
into a special design carton
box
Roller adjusted mechanism

Minimalna količina za narucivanje
300 kom

Minimum quantity for order
300 pcs

Naziv Name/Название	T (mm)	L (mm)	Artikal Code/Код				kg	
Brava za metalna vrata -25/85/22 mm INOX Čelo / Valjak Door lock 25/85/22 mm - INOX forehead / Roller Дверные замки 25/85/22 mm	22	240	70657	2	/	40/1	0.391	48 kut.
Brava za metalna vrata - 25/85/22 mm Pocinkovano čelo / Valjak Door lock 25/85/22 mm - Zn plated forehead / Roller Дверные замки 25/85/22 mm	22	240	70658	2	/	40/1	0.396	48 kut.
Brava za metalna vrata -25/85/24 mm INOX Čelo Door lock 25/85/24 mm - INOX forehead Дверные замки 25/85/24 mm	24	240	70659	2	/	40/1	0.405	48 kut.

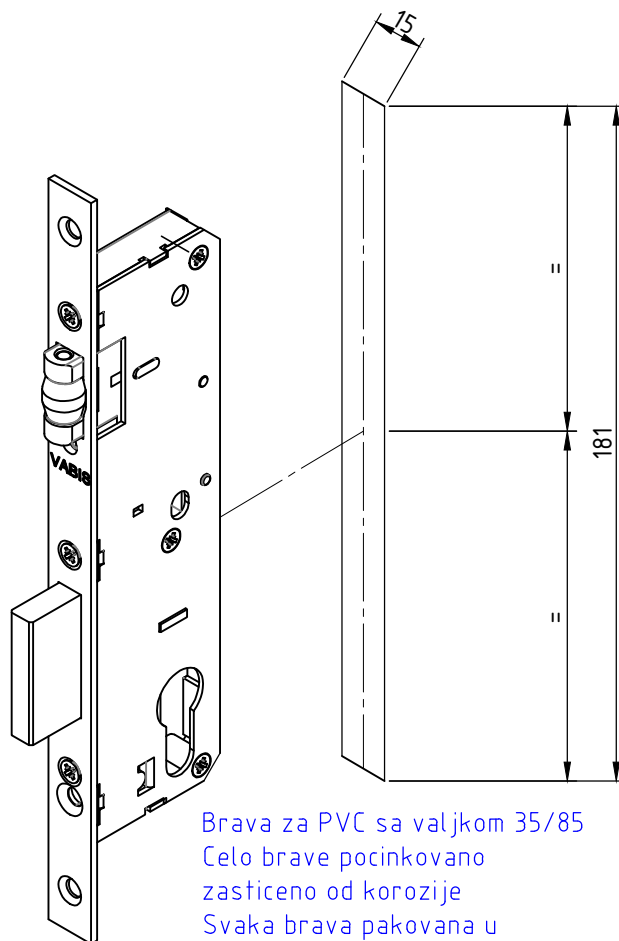
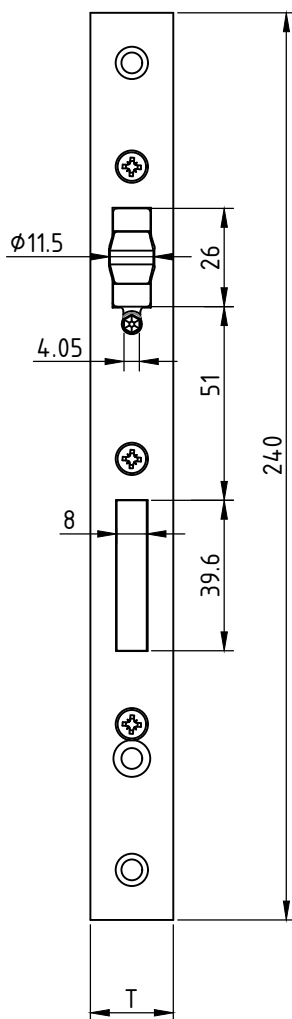
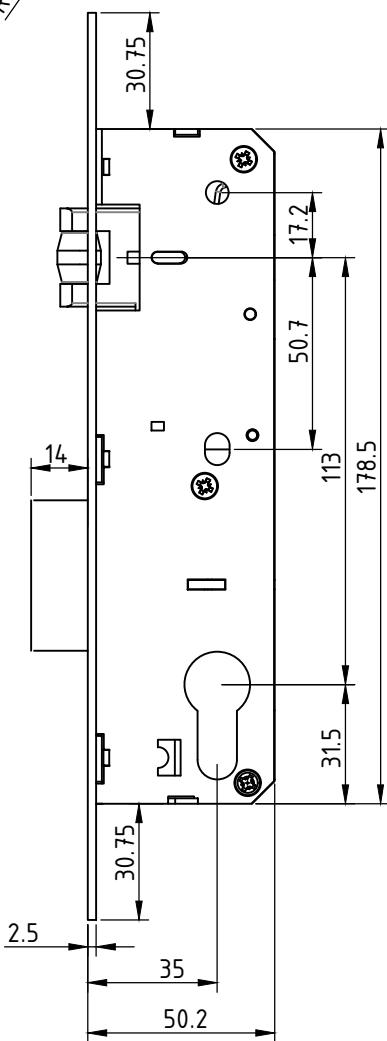
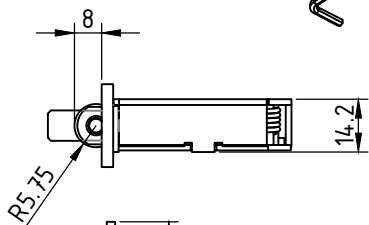
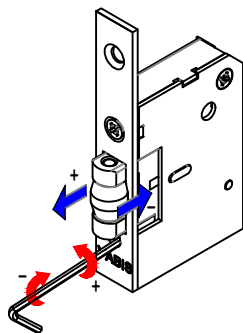


Podesavanje visine valjka

Valjak se podesava Imbus ključem 4, rotirajući levo ili desno valjak menja dužinu

Roller adjust

Allen key 4 - turn left and right to adjust roller length



Brava za PVC sa valjkom 35/85
Celo brave pocinkovano
zasticeno od korozije
Svaka brava pakovana u
specijalno dizajnirane kutije
Valjak sa mehanizmom za
podesavanje

Door lock for PVC with roller
35/85
Zink plated forehead corrosion
resistance
Every single door lock packed
into a special design carton box
Roller adjusted mechanism

- Standardna varijanta
- Standard variant
- Minimalna kolicina za narucivanje
300 kom
- Minimum quantity for order
300 pcs

Naziv Name/Название	T (mm)	L (mm)	Artikal Code/Код				kg	
Brava za metalna vrata -35/85/22 mm INOX Čelo / Valjak Door lock 35/85/22 mm - INOX forehead / Roller Дверные замки 35/85/22 mm	22	240	70630	2	/	40/1	0.462	48 kut.
Brava za metalna vrata - 35/85/22 mm Pocinkovano čelo / Valjak Door lock 35/85/22 mm - Zn plated forehead / Roller Дверные замки 35/85/22 mm	22	240	70635	2	/	40/1	0.467	48 kut.
Brava za metalna vrata -35/85/24 mm INOX Čelo / Valjak Door lock 35/85/24 mm - INOX forehead / Roller Дверные замки 35/85/24 mm	24	240	70639	2	/	40/1	0.476	48 kut.

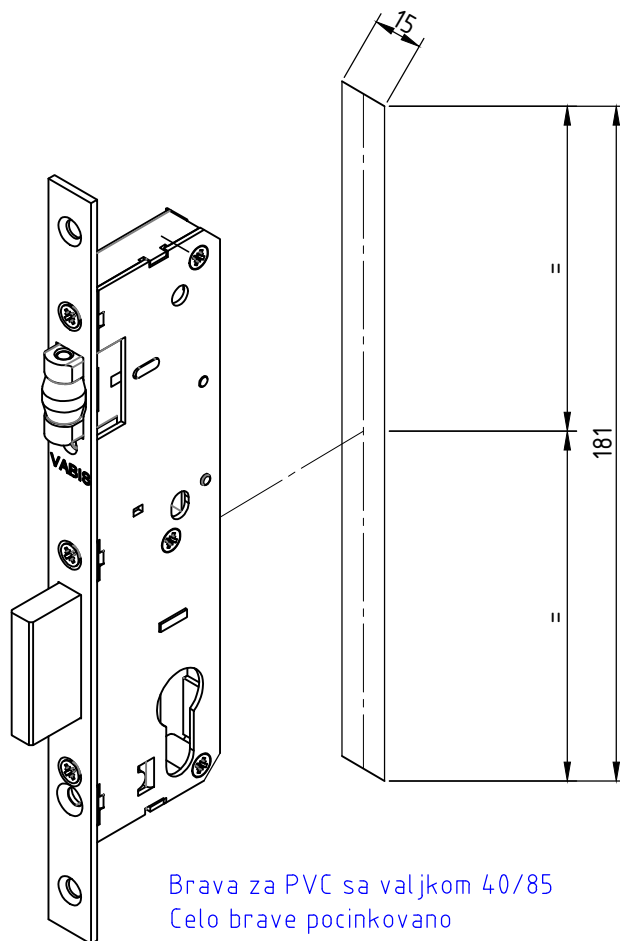
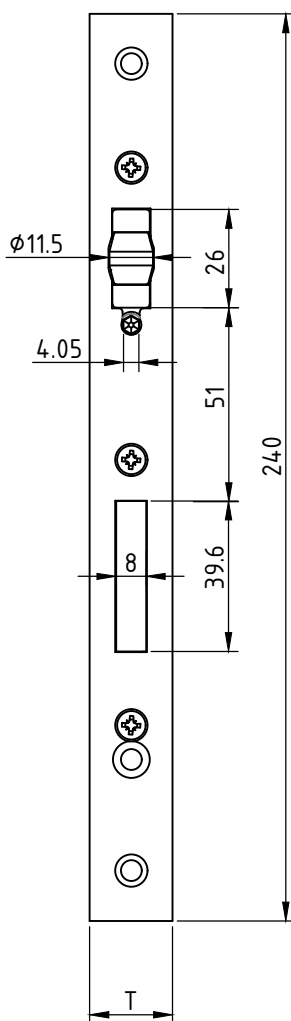
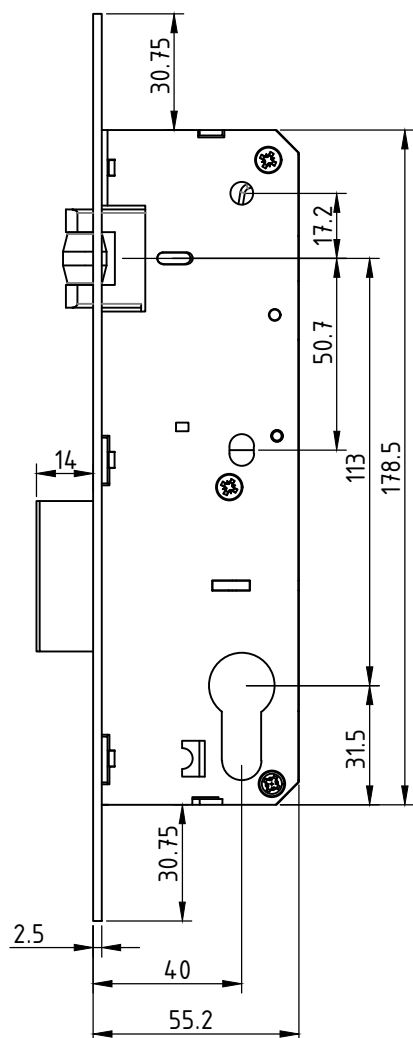
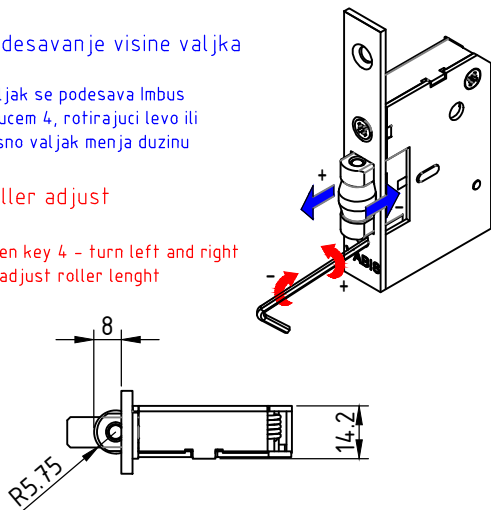


Podesavanje visine valjka

Valjak se podesava Imbus ključem 4, rotirajući levo ili desno valjak menja dužinu

Roller adjust

Allen key 4 - turn left and right to adjust roller length



Brava za PVC sa valjkom 40/85
Čelo brave pocinkovano
zasticeno od korozije
Svaka brava pakovana u
specijalno dizajnirane kutije
Valjak sa mehanizmom za
podesavanje

Door lock for PVC with roller
40/85

Zink plated forehead corrosion
resistance

Every single door lock packed
into a special design carton box
Roller adjusted mechanism

Minimalna kolicina za narucivanje
300 kom

Minimum quantity for order
300 pcs

Naziv Name/Название	T (mm)	L (mm)	Artikal Code/Код				kg	
Brava za metalna vrata -40/85/22 mm INOX Čelo / Valjak Door lock 40/85/22 mm - INOX forehead / Roller Дверные замки 40/85/22 mm	22	240	70677	2	/	40/1	0.503	48 kut.
Brava za metalna vrata - 40/85/22 mm Pocinkovano čelo / Valjak Door lock 40/85/22 mm - Zn plated forehead / Roller Дверные замки 40/85/22 mm	22	240	70678	2	/	40/1	0.508	48 kut.
Brava za metalna vrata -40/85/24 mm INOX Čelo / Valjak Door lock 40/85/24 mm - INOX forehead / Roller Дверные замки 40/85/24 mm	24	240	70679	2	/	40/1	0.517	48 kut.

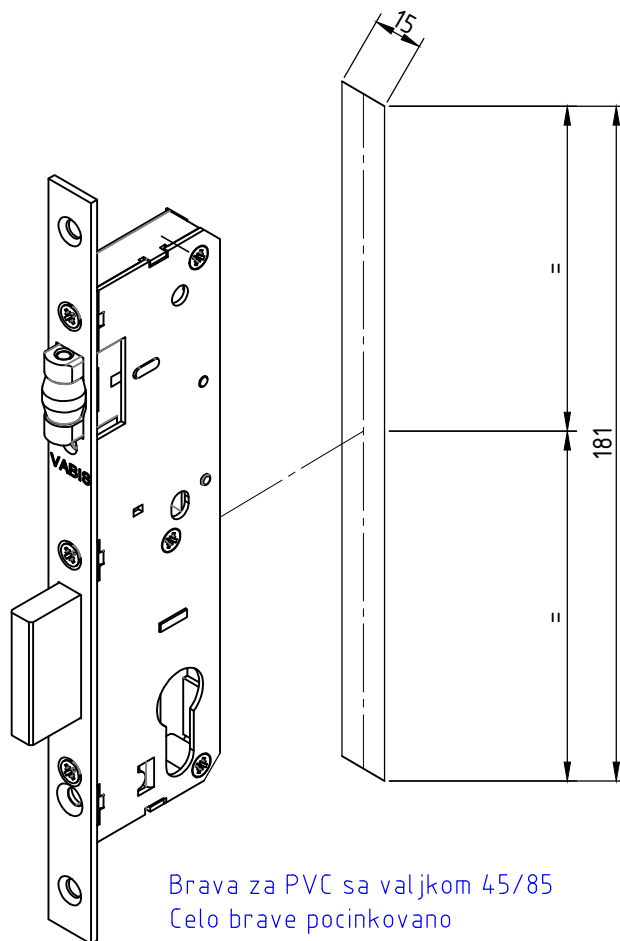
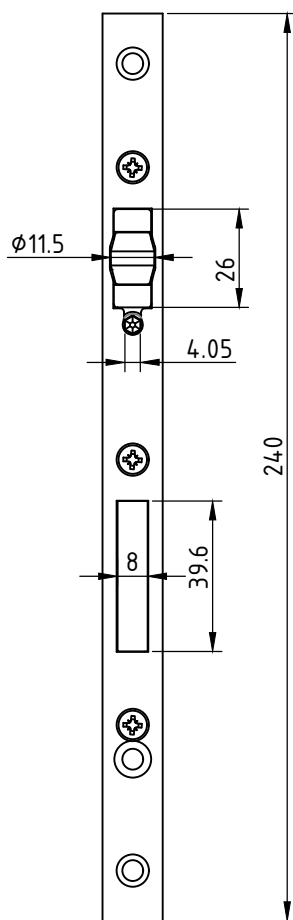
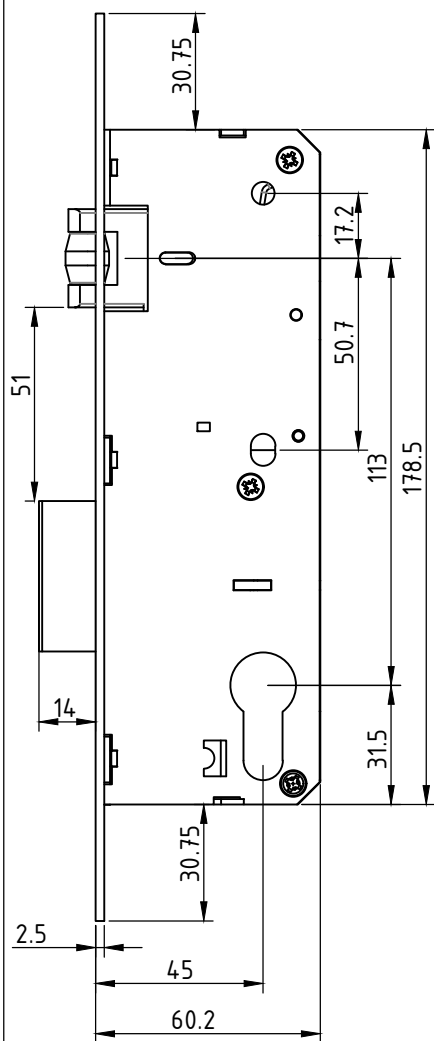
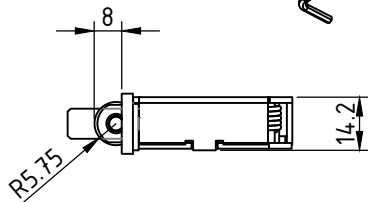
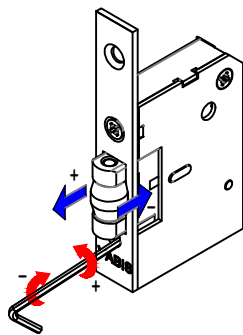


Podesavanje visine valjka

Valjak se podesava Imbus ključem 4, rotirajući levo ili desno valjak menja dužinu

Roller adjust

Allen key 4 - turn left and right to adjust roller length



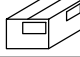



Brava za PVC sa valjkom 45/85
Čelo brave pocinkovano
zasticeno od korozije
Svaka brava pakovana u
specijalno dizajnirane kutije
Valjak sa mehanizmom za
podesavanje

Door lock for PVC with roller
45/85 mm
Zink plated forehead corrosion
resistance
Every single door lock packed
into a special design carton box
Roller adjusted mechanism

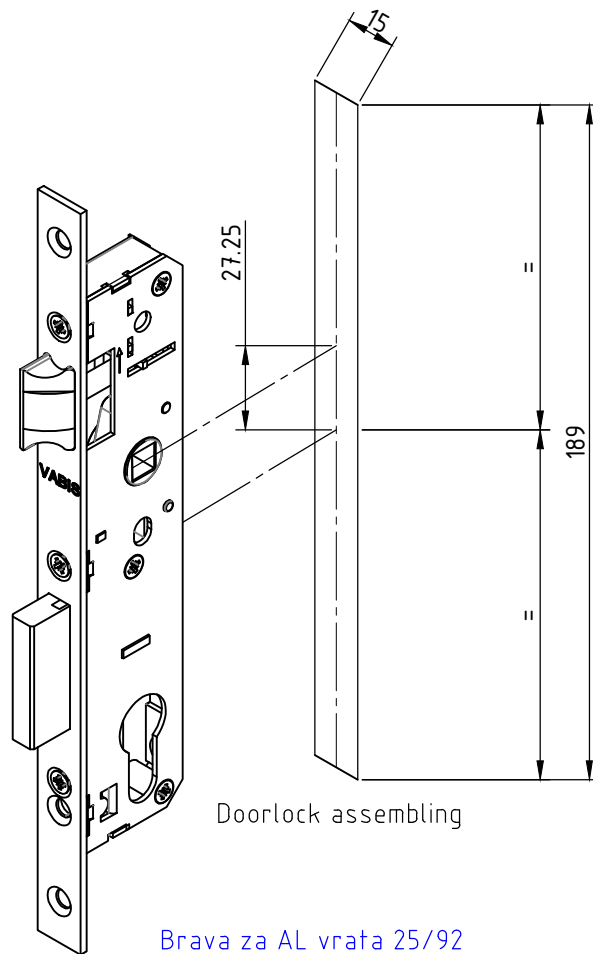
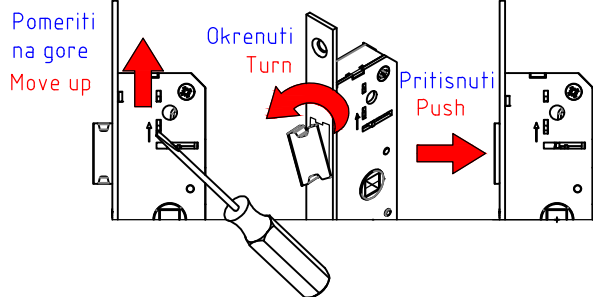
~~Minimalna količina za narucivanje~~
300 kom

~~Minimum quantity for order~~
300 pcs

Naziv Name/Название	T (mm)	L (mm)	Artikal Code/Код				kg	
Brava za metalna vrata -45/85/22 mm INOX Čelo / Valjak Door lock 45/85/22 mm - INOX forehead / Roller Дверные замки 45/85/22 mm	22	240	70697	2	/	40/1	0.540	48 kut.
Brava za metalna vrata - 45/85/22 mm Pocinkovano čelo / Valjak Door lock 45/85/22 mm - Zn plated forehead / Roller Дверные замки 45/85/22 mm	22	240	70698	2	/	40/1	0.545	48 kut.
Brava za metalna vrata -45/85/24 mm INOX Čelo / Valjak Door lock 45/85/24 mm - INOX forehead / Roller Дверные замки 45/85/24 mm	24	240	70699	2	/	40/1	0.554	48 kut.



Način okretanja jezička brave
za desna i leva vrata
Doorlock setup - orientation
change for right and left doors



Doorlock assembling

Brava za AL vrata 25/92

Četvrtka 8x8

Pocinkovano i prohromsko celo
otporno na koroziju

Svaka brava upakovana u
specijalno dizajnirane kutije

Door lock AL 25/92 mm

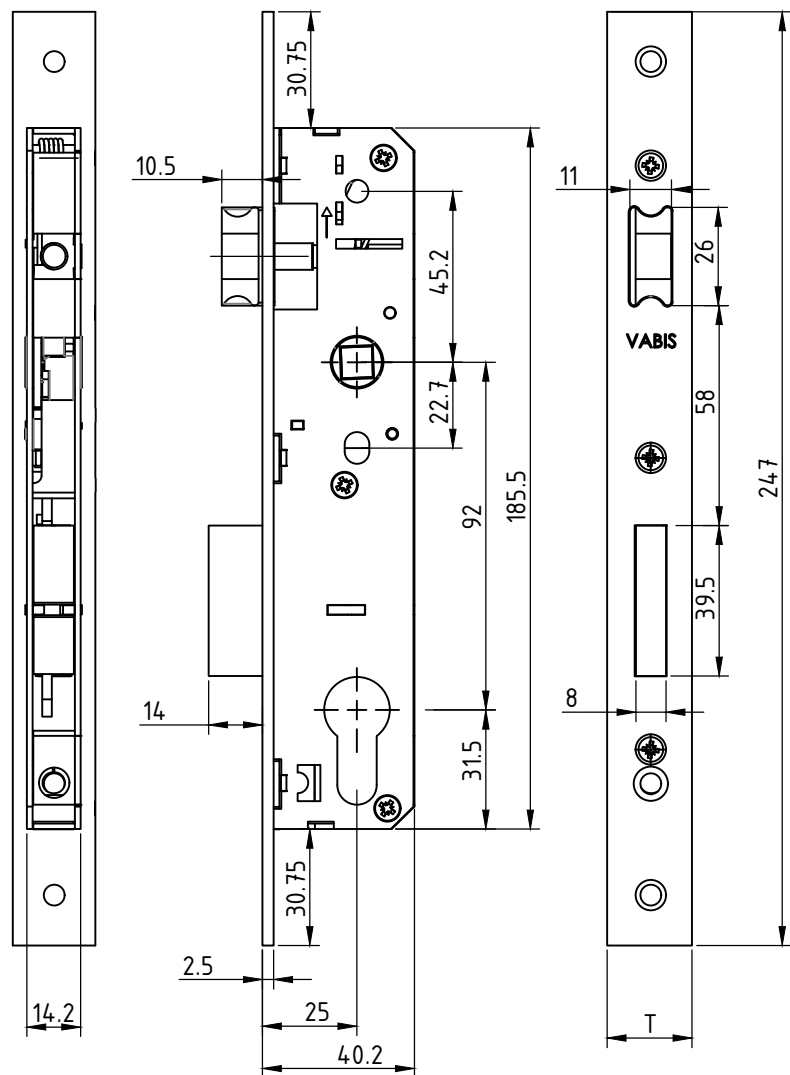
8x8 mm square





Zink plated and Inox forehead
corrosion resistance

Every single door lock packed
into a special design carton box

 Standardna varijanta

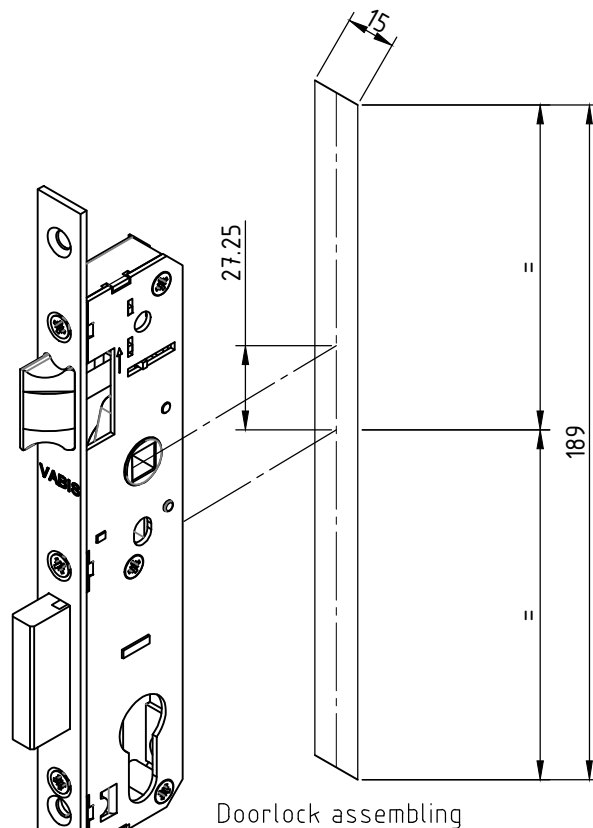
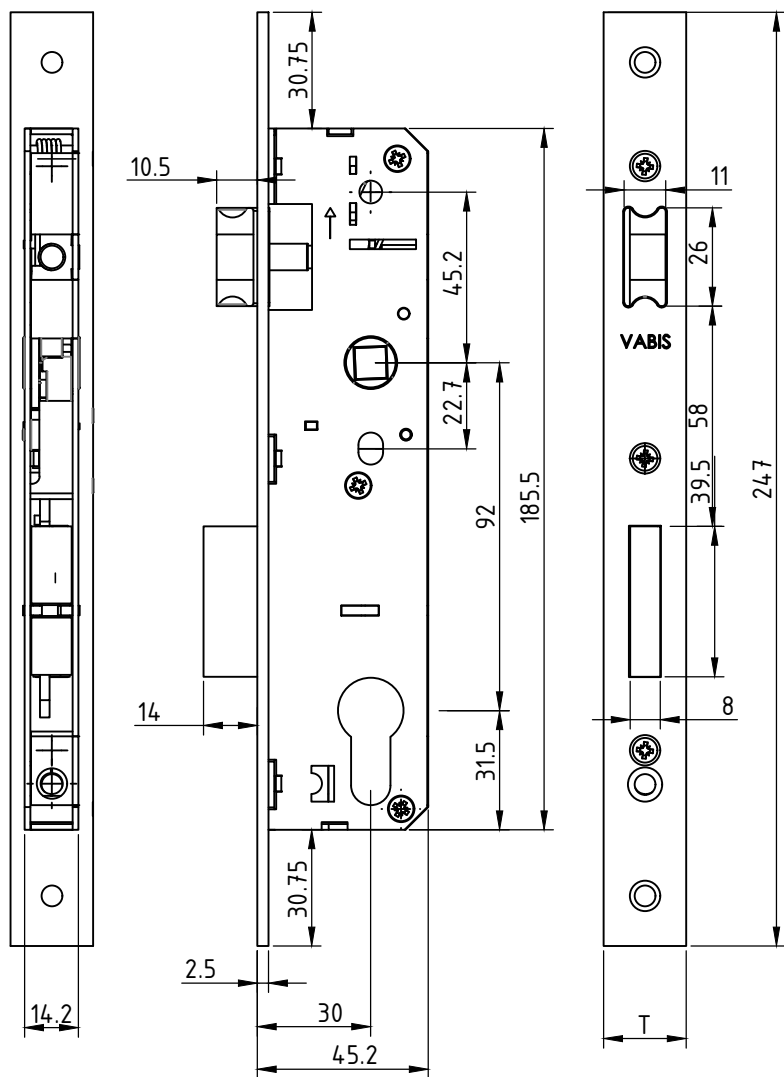
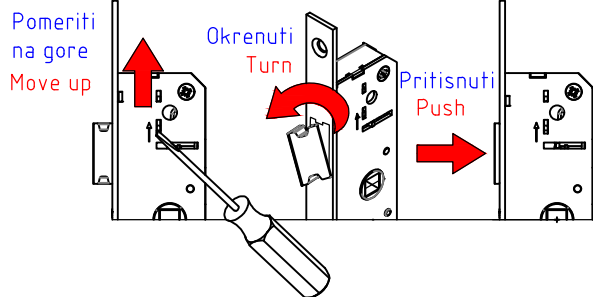
 Standard variant



Naziv Name/Название	T (mm)	L (mm)	Artikal Code/Код				kg	
Brava za metalna vrata - 25/92/22 mm INOX Čelo Door lock 25/92/22 mm - INOX forehead Дверные замки 25/92/22 mm	22	240	70710	2	/	40/1	0.397	48 kut.
Brava za metalna vrata - 25/92/22 mm Pocinkovano čelo Door lock 25/92/22 mm - Zn plated forehead Дверные замки 25/92/22 mm	22	240	70712	2	/	40/1	0.402	48 kut.
Brava za metalna vrata - 25/92/24 mm INOX Čelo Door lock 25/92/24 mm - INOX forehead Дверные замки 25/92/24 mm	24	240	70715	2	/	40/1	0.411	48 kut.



Način okretanja jezička brave
za desna i leva vrata
Doorlock setup - orientation
change for right and left doors



Brava za AL vrata 30/92
Četvrtka 8x8
Pocinkovano i prohromsko celo
otporno na koroziju
Svaka brava upakovana u
specijalno dizajnirane kutije
Door lock AL 30/92 mm
8x8 mm square
Zink plated and Inox forehead
corrosion resistance
Every single door lock packed
into a special design carton box

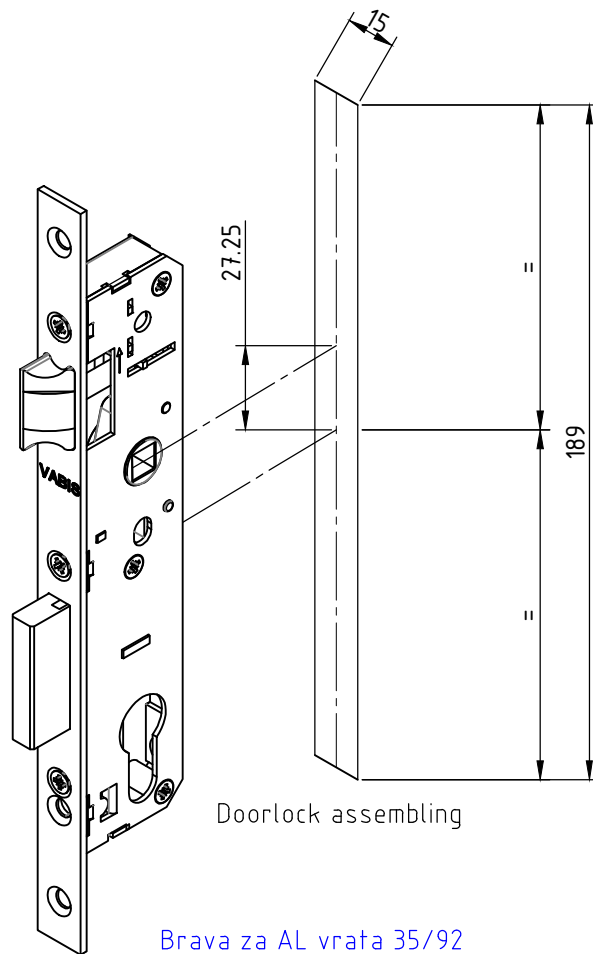
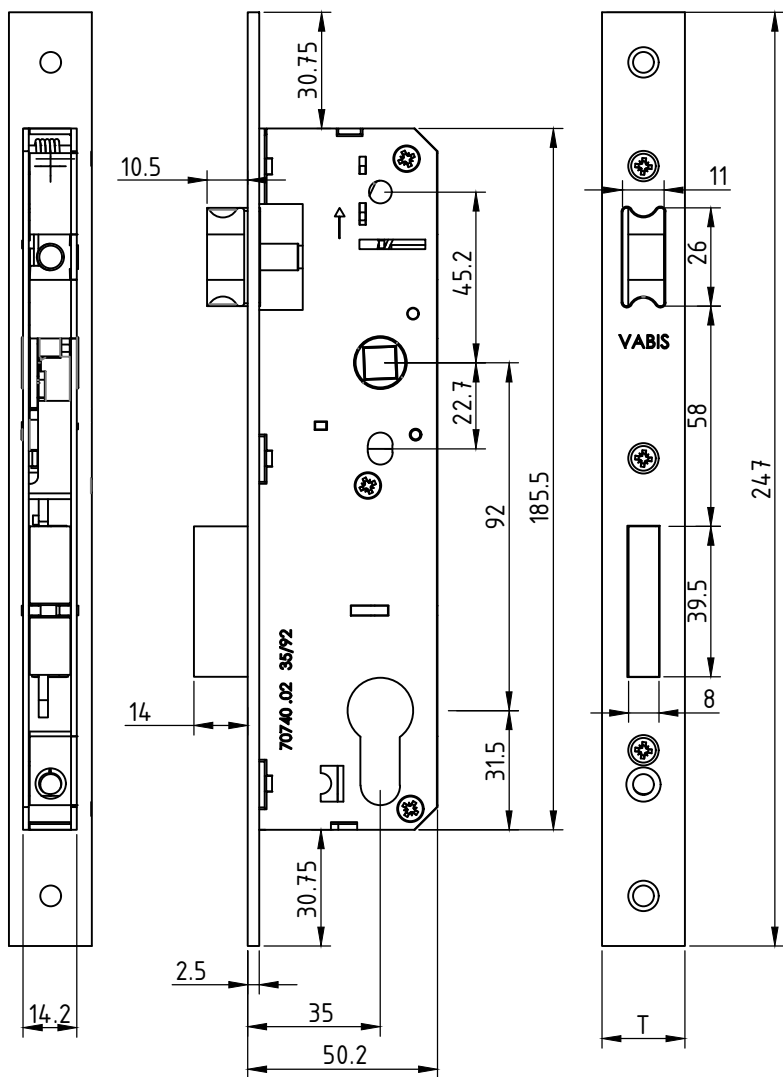
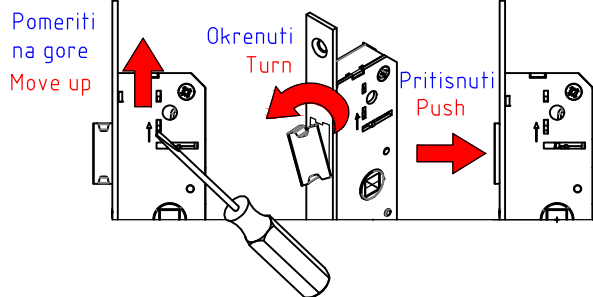
Minimalna količina za narucivanje
300 kom

Minimum quantity for order
300 pcs

Naziv Name/Название	T (mm)	L (mm)	Artikal Code/Код				kg	
Brava za metalna vrata - 30/92/22 mm INOX Čelo Door lock 30/92/22 mm - INOX forehead Дверные замки 30/92/22 mm	22	240	70730	2	/	40/1	0.435	48 kut.
Brava za metalna vrata - 30/92/22 mm Pocinkovano čelo Door lock 30/92/22 mm - Zn plated forehead Дверные замки 30/92/22 mm	22	240	70732	2	/	40/1	0.440	48 kut.
Brava za metalna vrata - 30/92/24 mm INOX Čelo Door lock 30/92/24 mm - INOX forehead Дверные замки 30/92/24 mm	24	240	70735	2	/	40/1	0.449	48 kut.



Način okretanja jezička brave
za desna i leva vrata
Doorlock setup - orientation
change for right and left doors





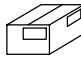


Doorlock assembling

Brava za AL vrata 35/92
Četvrtka 8x8
Pocinkovano i prohromsko celo
otporno na koroziju
Svaka brava upakovana u
specijalno dizajnirane kutije

Door lock AL 35/92 mm
8x8 mm square
Zink plated and Inox forehead
corrosion resistance
Every single door lock packed
into a special design carton box

 Standardna varijanta

 Standard variant

Naziv Name/Название	T (mm)	L (mm)	Artikal Code/Код					
Brava za metalna vrata -35/92/22 mm INOX Čelo Door lock 35/92/22 mm - INOX forehead Дверные замки 35/92/22 mm	22	240	70750	2	/	40/1	0.473	48 kut.
Brava za metalna vrata - 35/92/22 mm Pocinkovano čelo Door lock 35/92/22 mm - Zn plated forehead Дверные замки 35/92/22 mm	22	240	70752	2	/	40/1	0.478	48 kut.
Brava za metalna vrata -35/92/24 mm INOX Čelo Door lock 35/92/24 mm - INOX forehead Дверные замки 35/92/24 mm	24	240	70755	2	/	40/1	0.487	48 kut.

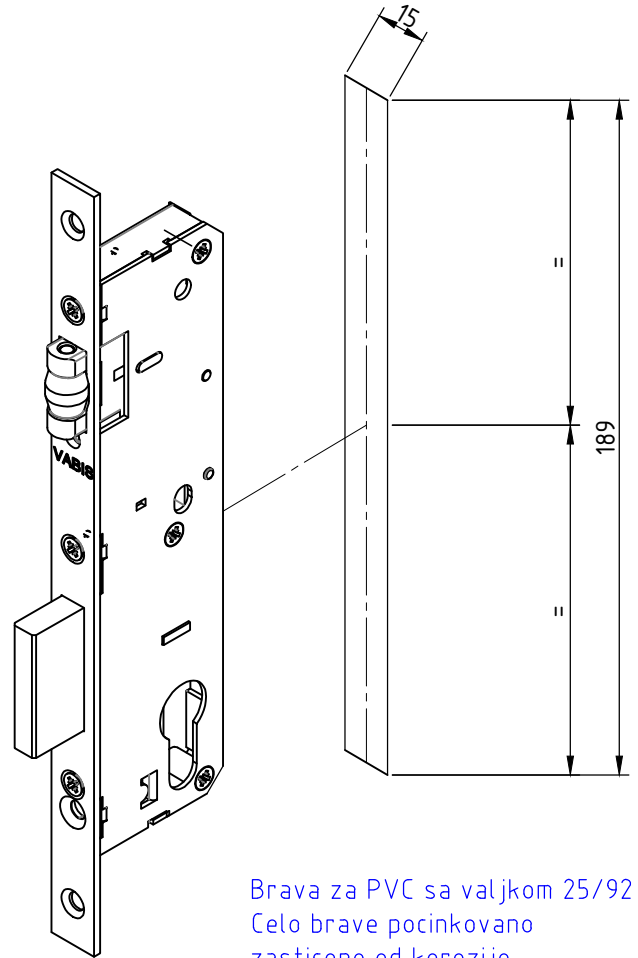
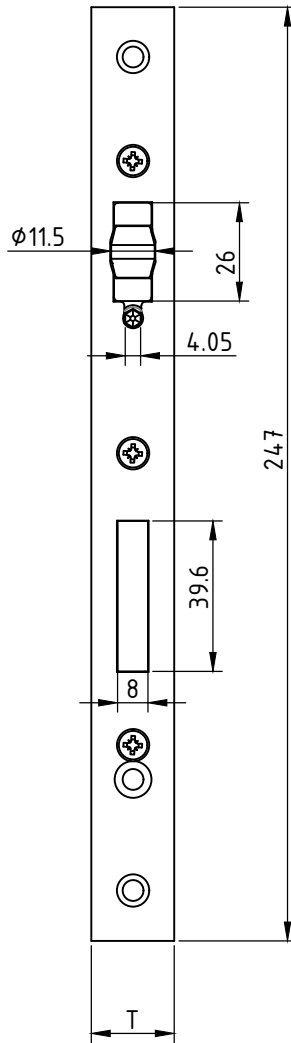
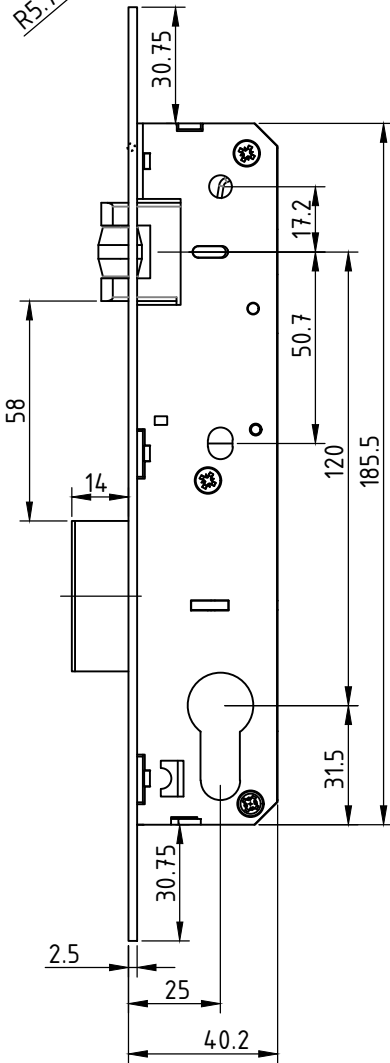
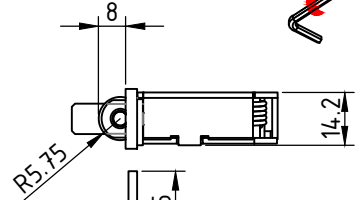
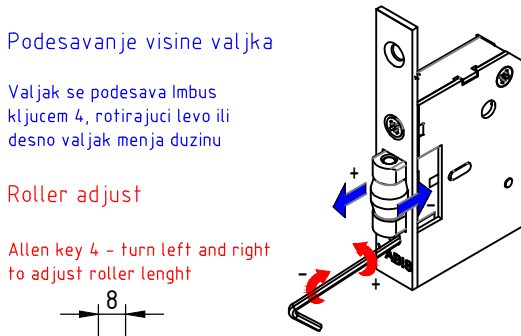
Okov za vrata
Door fittings
Дверная фурнитура

Podesavanje visine valjka

Valjak se podesava Imbus ključem 4, rotirajući levo ili desno valjak menja dužinu

Roller adjust

Allen key 4 - turn left and right to adjust roller length



Brava za PVC sa valjkom 25/92
 Čelo brave pocinkovano
 zasticeno od korozije
 Svaka brava pakovana u
 specijalno dizajnirane kutije
 Valjak sa mehanizmom za
 podesavanje

Door lock for PVC with roller
 25/92
 Zink plated forehead corrosion
 resistance
 Every single door lock packed
 into a special design carton box
 Roller adjusted mechanism

Minimalna količina za narucivanje
 300 kom

Minimum quantity for order
 300 pcs

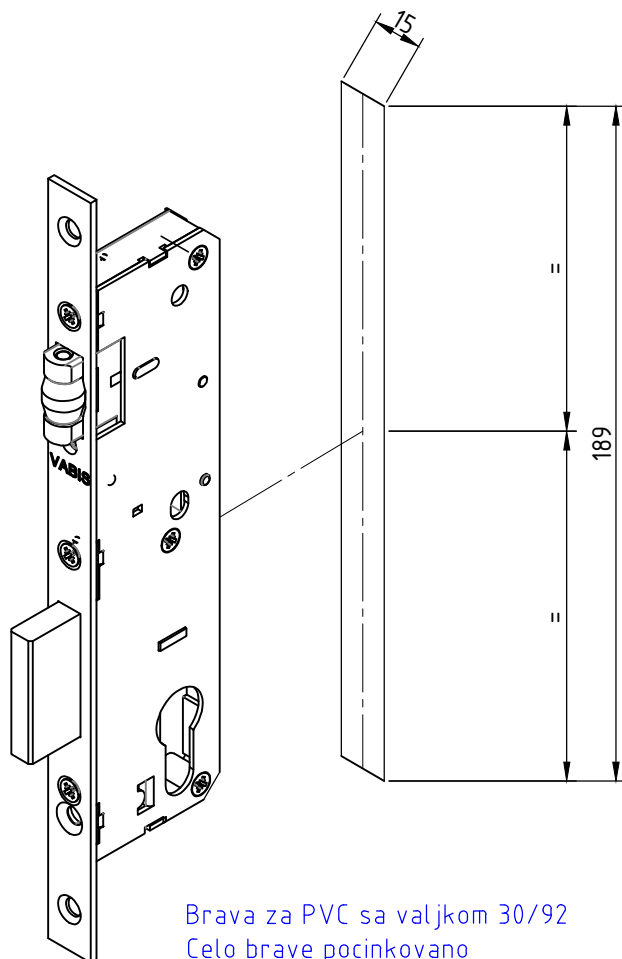
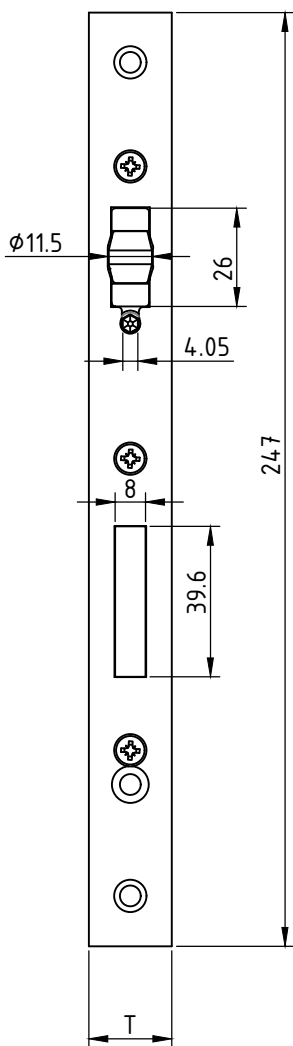
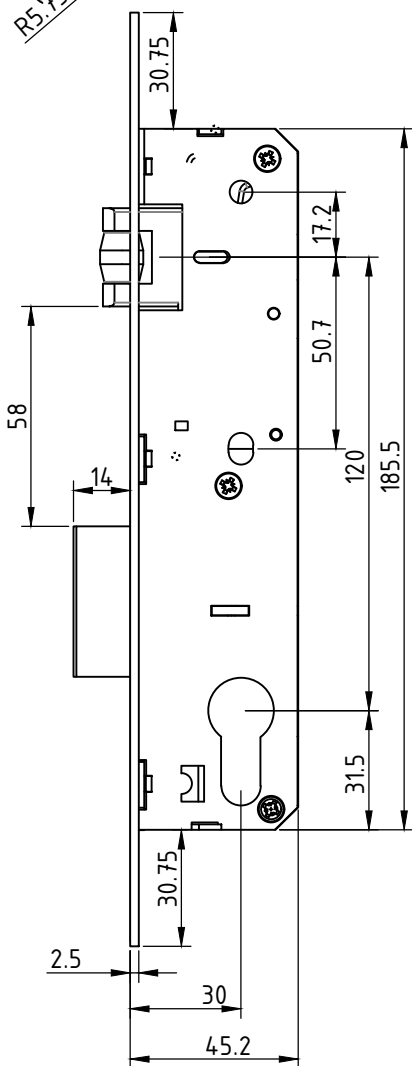
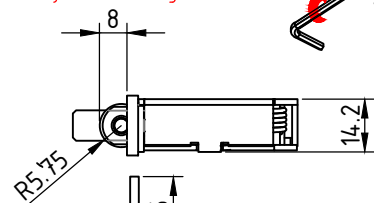
Naziv Name/Название	T (mm)	L (mm)	Artikal Code/Код				kg	
Brava za metalna vrata -25/92/22 mm INOX Čelo / Valjak Door lock 25/92/22 mm - INOX forehead / Roller Дверные замки 25/92/22 mm	22	240	70705	2	/	40/1	0.398	48 kut.
Brava za metalna vrata - 25/92/22 mm Pocinkovano čelo / Valjak Door lock 25/92/22 mm - Zn plated forehead / Roller Дверные замки 25/92/22 mm	22	240	70707	2	/	40/1	0.403	48 kut.
Brava za metalna vrata -25/92/24 mm INOX Čelo Door lock 25/92/24 mm - INOX forehead Дверные замки 25/92/24 mm	24	240	70702	2	/	40/1	0.412	48 kut.

Podesavanje visine valjka

Valjak se podesava Imbus ključem 4, rotirajući levo ili desno valjak menja dužinu

Roller adjust

Allen key 4 - turn left and right to adjust roller length



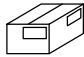



Brava za PVC sa valjkom 30/92
Čelo brave pocinkovano
zasticeo od korozije
Svaka brava pakovana u
specijalno dizajnirane kutije
Valjak sa mehanizmom za
podesavanje

Door lock for PVC with roller
30/92
Zink plated forehead corrosion
resistance
Every single door lock packed
into a special design carton box
Roller adjusted mechanism

Minimalna količina za narucivanje
300 kom

Minimum quantity for order
300 pcs

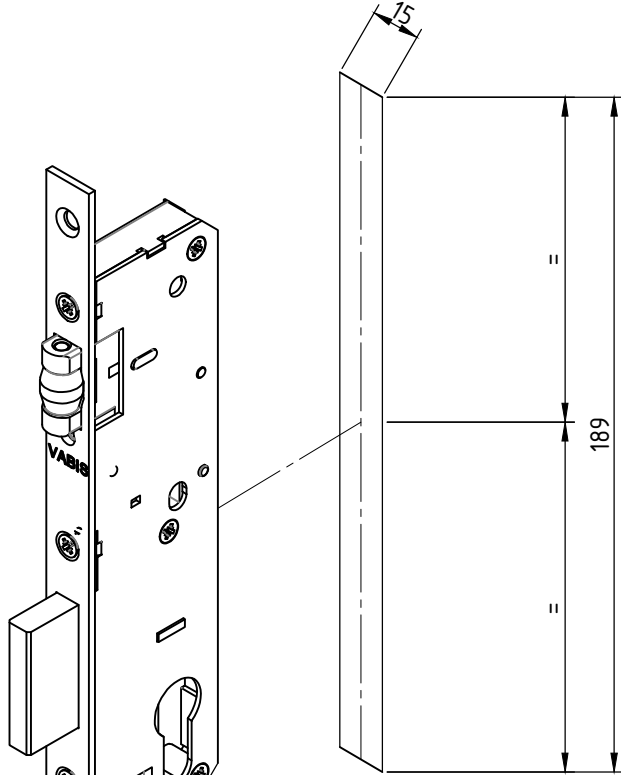
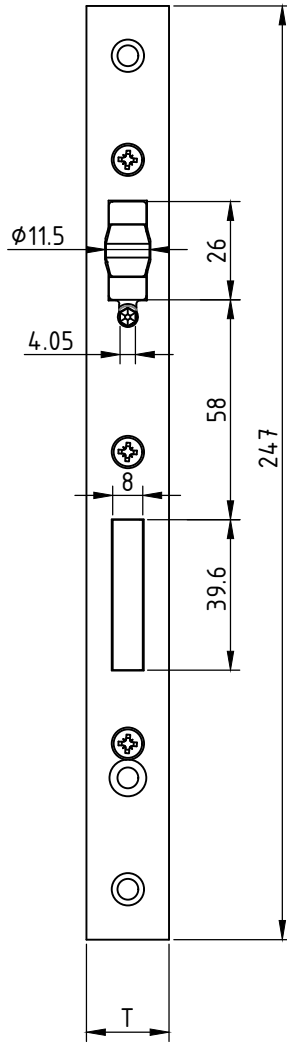
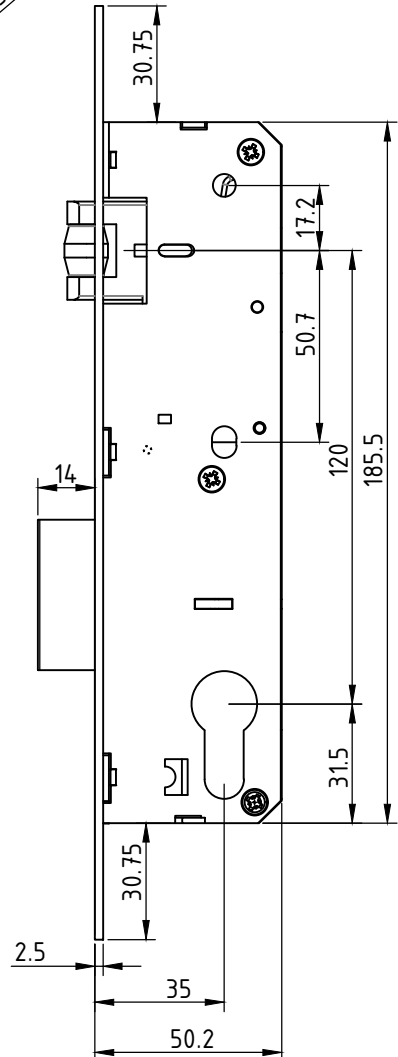
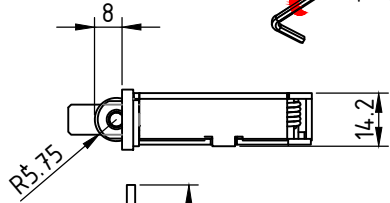
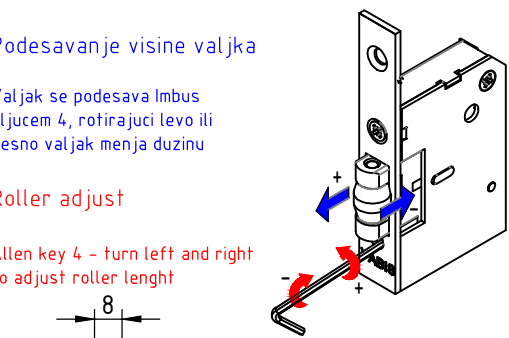
Naziv Name/Название	T (mm)	L (mm)	Artikal Code/Код				kg	
Brava za metalna vrata - 30/92/22 mm INOX Čelo / Valjak Door lock 30/92/22 mm - INOX forehead / Roller Дверные замки 30/92/22 mm	22	240	70725	2	/	40/1	0.436	48 kut.
Brava za metalna vrata - 30/92/22 mm Pocinkovano Čelo / Valjak Door lock 30/92/22 mm - Zn plated forehead / Roller Дверные замки 30/92/22 mm	22	240	70727	2	/	40/1	0.441	48 kut.
Brava za metalna vrata - 30/92/24 mm INOX Čelo Door lock 30/92/24 mm - INOX forehead Дверные замки 30/92/24 mm	24	240	70722	2	/	40/1	0.450	48 kut.

Podesavanje visine valjka

Valjak se podesava Imbus ključem 4, rotirajući levo ili desno valjak menja dužinu

Roller adjust

Allen key 4 - turn left and right to adjust roller length



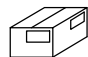



Brava za PVC sa valjkom 35/92
Celo brave pocinkovano
zasticeno od korozije
Svaka brava pakovana u
specijalno dizajnirane kutije
Valjak sa mehanizmom za
podesavanje

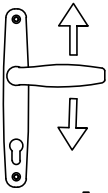
Door lock for PVC with roller
35/92 mm
Zink plated forehead corrosion
resistance
Every single door lock packed
into a special design carton box
Roller adjusted mechanism

~~Minimalna količina za narucivanje
300 kom~~

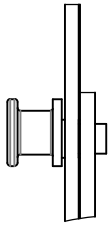
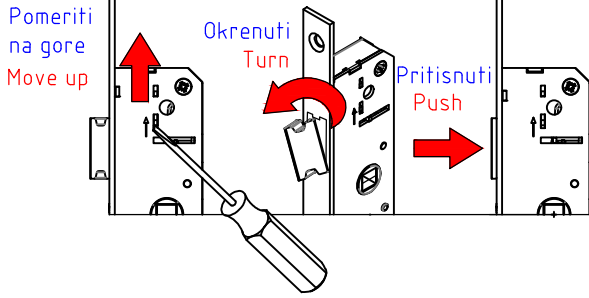
~~Minimum quantity for order
300 pcs~~

Naziv Name/Название	T (mm)	L (mm)	Artikal Code/Код				kg	
Brava za metalna vrata -35/92/22 mm INOX Čelo / Valjak Door lock 35/92/22 mm - INOX forehead / Roller Дверные замки 35/92/22 mm	22	240	70745	2	/	40/1	0.474	48 kut.
Brava za metalna vrata - 35/92/22 mm Pocinkovano čelo / Valjak Door lock 35/92/22 mm - Zn plated forehead / Roller Дверные замки 35/92/22 mm	22	240	70747	2	/	40/1	0.479	48 kut.
Brava za metalna vrata -35/92/24 mm INOX Čelo Door lock 35/92/24 mm - INOX forehead Дверные замки 35/92/24 mm	24	240	70742	2	/	40/1	0.488	48 kut.

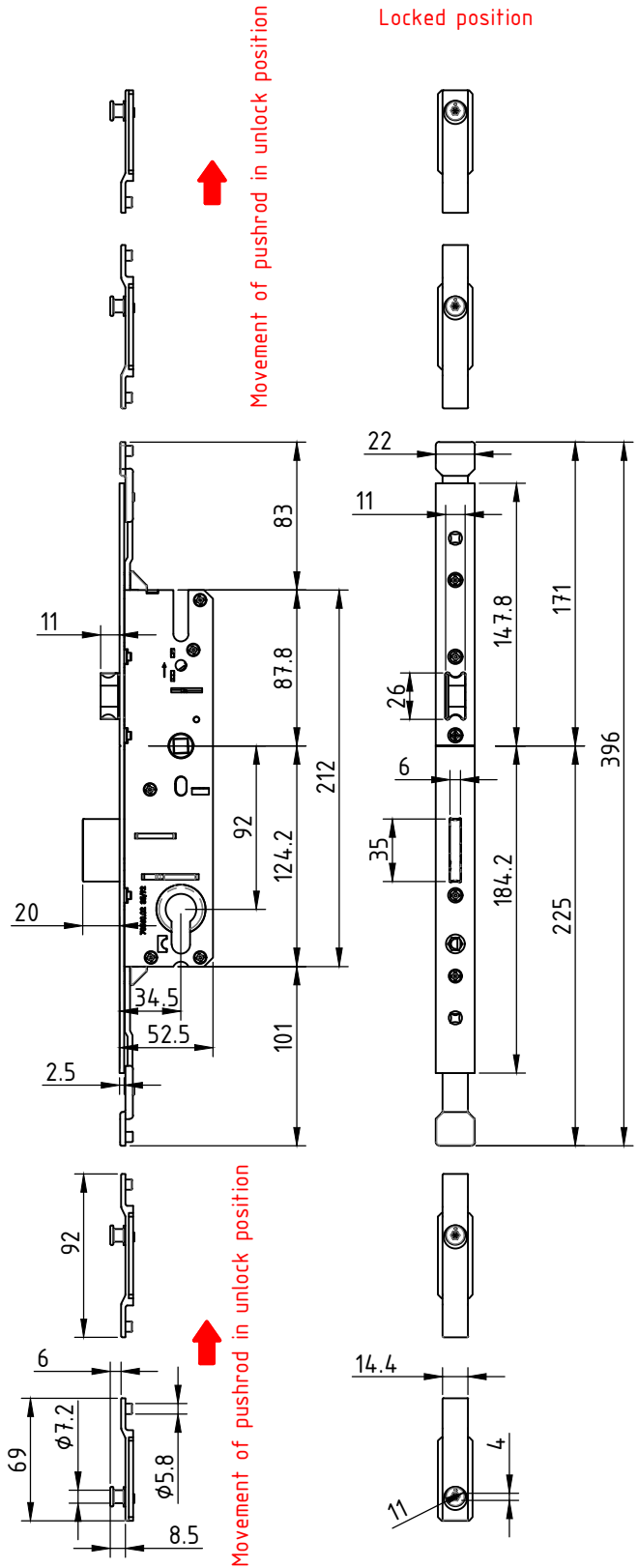
Okov za vrata
Door fittings
Дверная фурнитура



Način okretanja jezička brave
 za desna i leva vrata
 Doorlock setup - orientation
 change for right and left doors

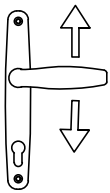


4 x sigurnosni
 ekcentar
 4 x safety eccentric pin

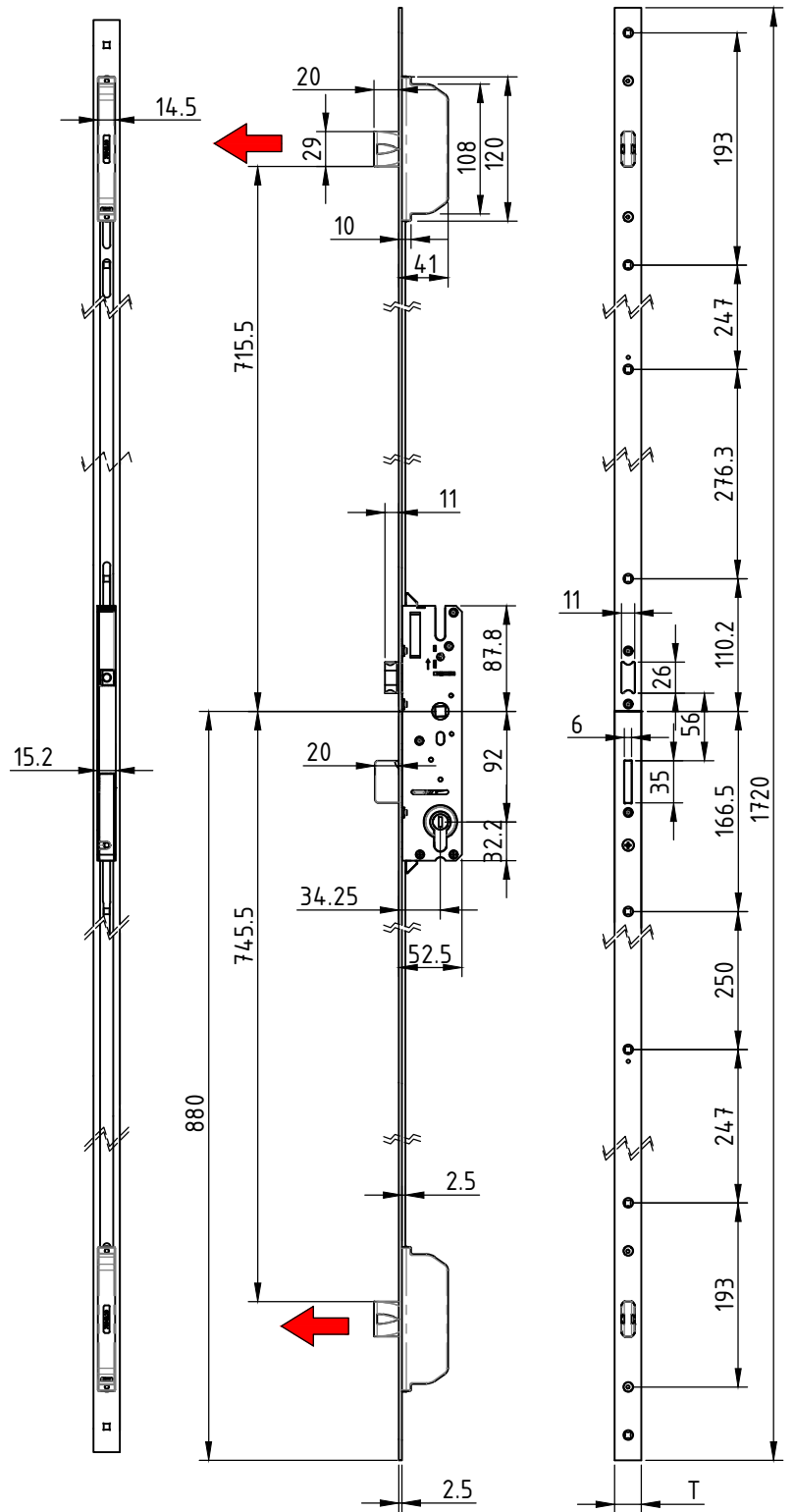
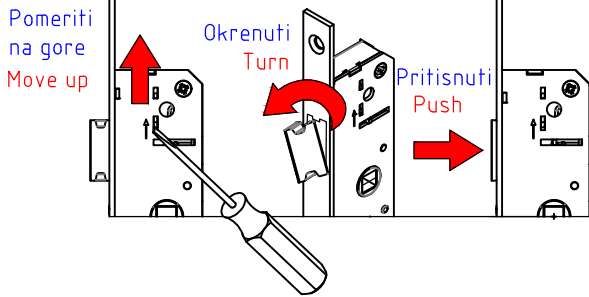




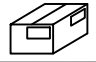

Naziv Name/Название	T(mm)	L (mm)	Artikal Code/Код				kg	
Brava na potez 35-92 Pocinkovano celo/ Multipoint door lock with the latchbolts key operated 35-92 Zink plated/ Дверные замки ПВХ 35/92	22	396	70647	2	0	50/1	0.799	

Okov za vrata
 Door fittings
 Дверная фурнитура



Način okretanja jezička brave
 za desna i leva vrata
 Doorlock setup - orientation
 change for right and left doors



Naziv Name/Название	T(mm)	L (mm)	Artikal Code/Код				kg	
Trozašvorna brava na ključ sa jezickom 35-92 Pocinkovano celo/ Multipoint door lock with the latchbolts key operated 35-92 Zink plated/ Дверные замки ПВХ 35/92	22	1720	70840	2	0	50/1	1.885	
Trozašvorna brava na ključ sa jezickom 35-92 INOX celo/ Multipoint door lock with the latchbolts key operated 35-92 INOX plate/ Дверные замки ПВХ 35/92	22	1720	70841	2	0	50/1	1.885	
Trozašvorna brava na ključ sa jezickom 35-92 INOX celo/ Multipoint door lock with the latchbolts key operated 35-92 INOX plate/ Дверные замки ПВХ 35/92	24	1720	70842	2	0	50/1	1.885	

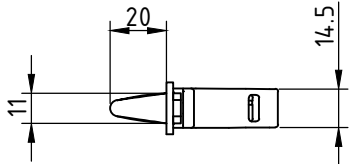
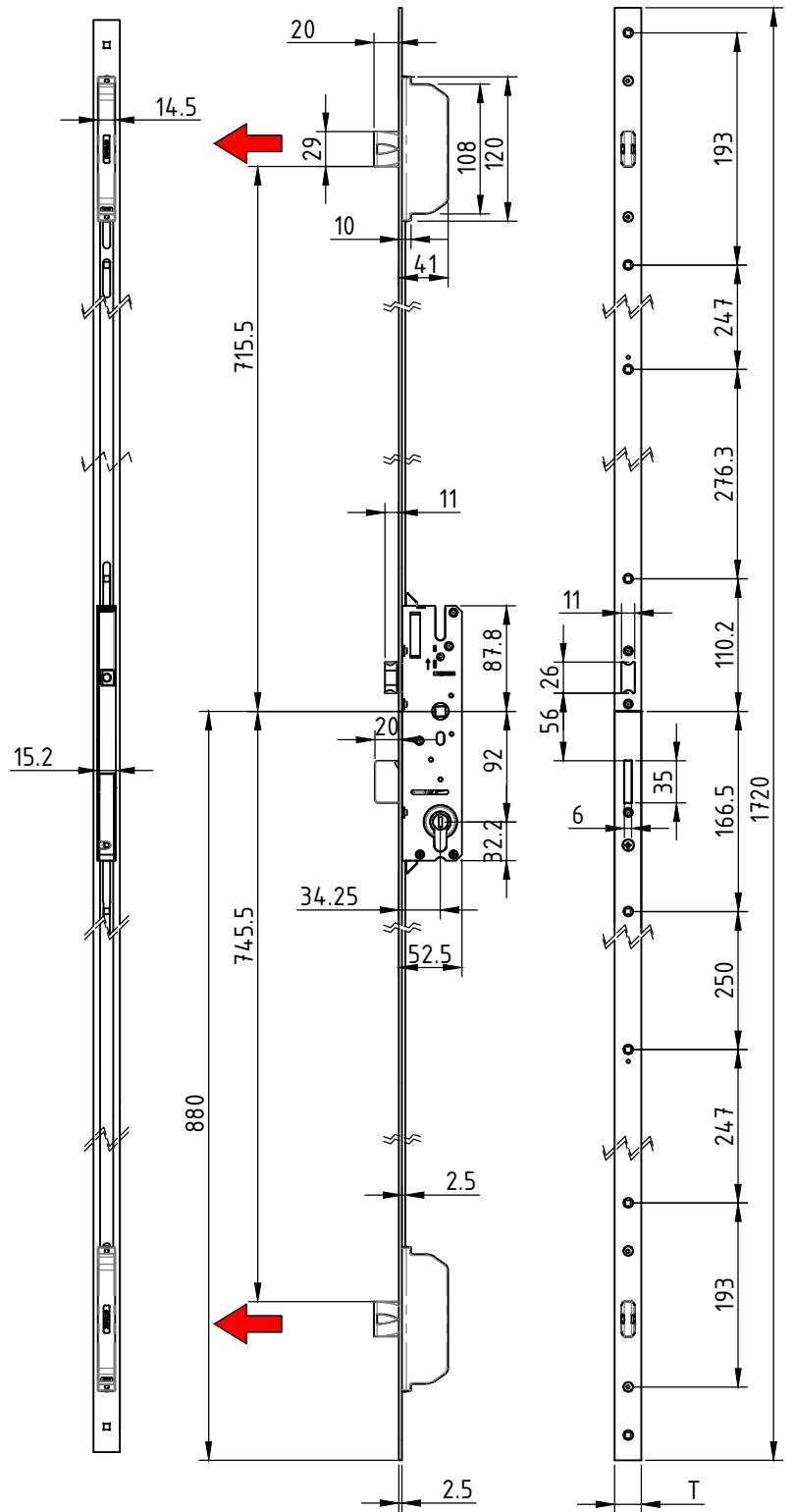
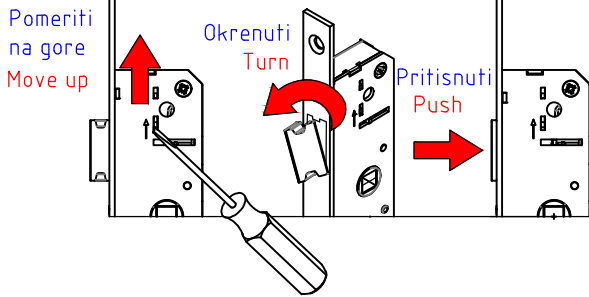
Okov za vrata

Door fittings

Дверная фурнитура



Način okretanja jezička brave
za desna i leva vrata
Doorlock setup - orientation
change for right and left doors

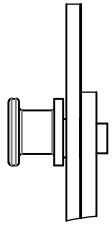
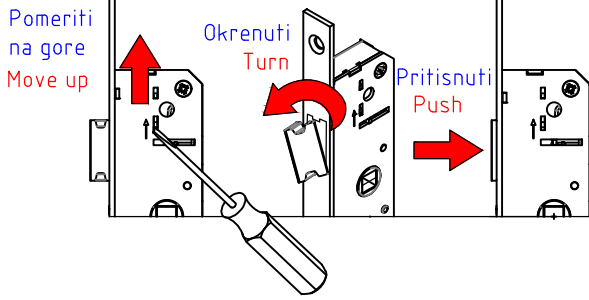


Naziv Name/Название	T (mm)	L (mm)	Artikal Code/Код				kg	
Trozaštovna brava na ključ sa jezickom 35-92 Pocinkovano celo/ Multipoint door lock with the latchbolts key operated 35-92 Zink plated/ Дверные замки ПВХ 35/92	22	1720	70940	2	0	50/1	1.885	
Trozaštovna brava na ključ sa jezickom 35-92 INOX celo/ Multipoint door lock with the latchbolts key operated 35-92 INOX plate/ Дверные замки ПВХ 35/92	22	1720	70941	2	0	50/1	1.885	
Trozaštovna brava na ključ sa jezickom 35-92 INOX celo/ Multipoint door lock with the latchbolts key operated 35-92 INOX plate/ Дверные замки ПВХ 35/92	24	1720	70942	2	0	50/1	1.885	

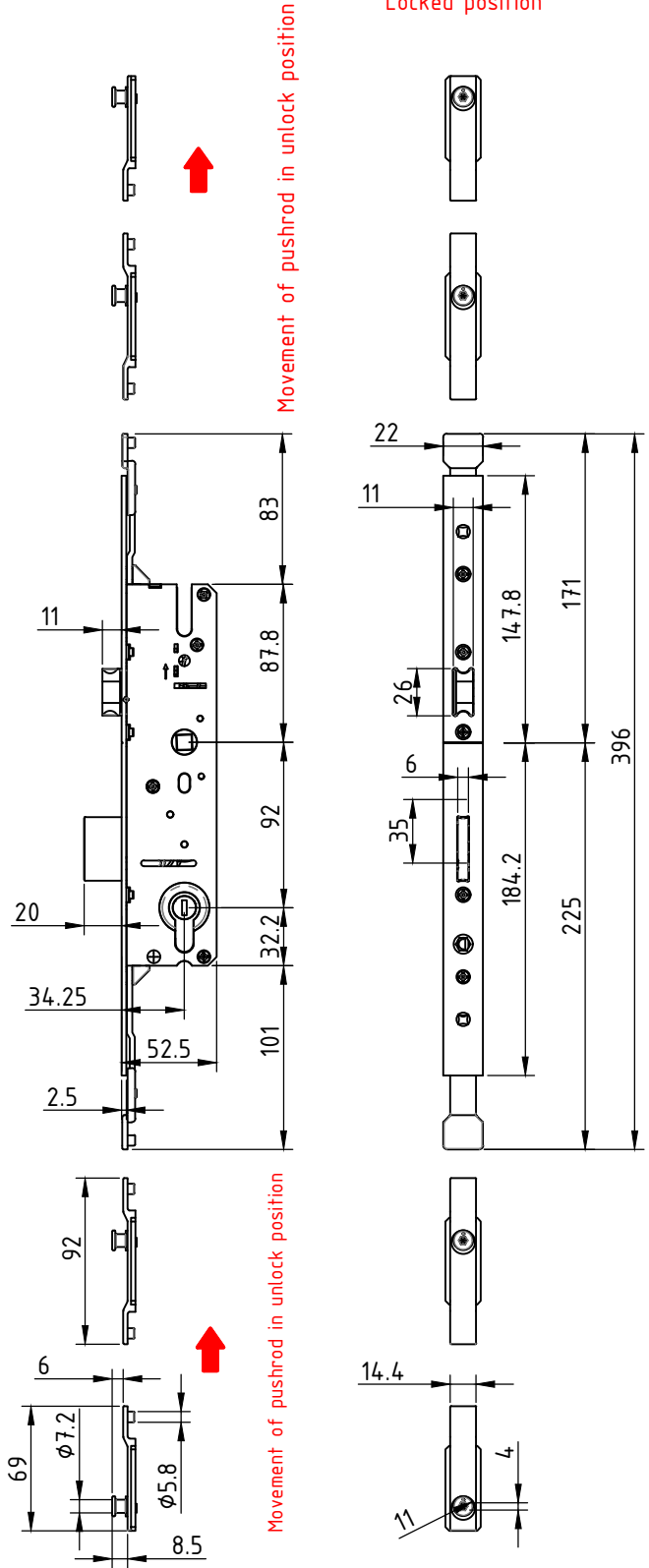
Okov za vrata
Door fittings
Дверная фурнитура



Način okretanja jezička brave
 za desna i leva vrata
 Doorlock setup - orientation
 change for right and left doors



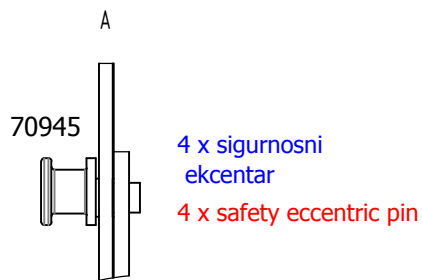
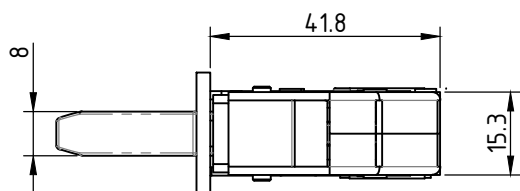
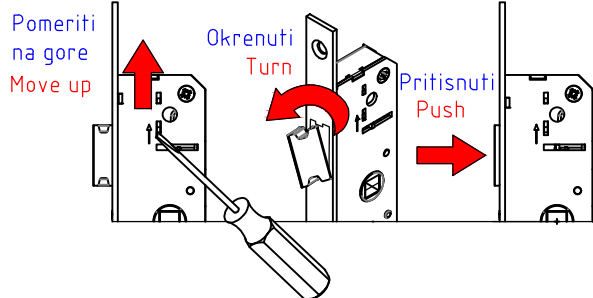
4 x sigurnosni
 ekcentar
 4 x safety eccentric pin



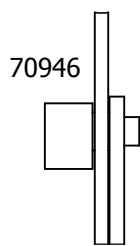
Naziv Name/Название	T(mm)	L (mm)	Artikal Code/Код					
Brava na potez 35-92 Pocinkovano celo/ Multipoint door lock with the latchbolts key operated 35-92 Zink plated/ Дверные замки ПВХ 35/92	22	396	70947	2	4	50/1	0.871	



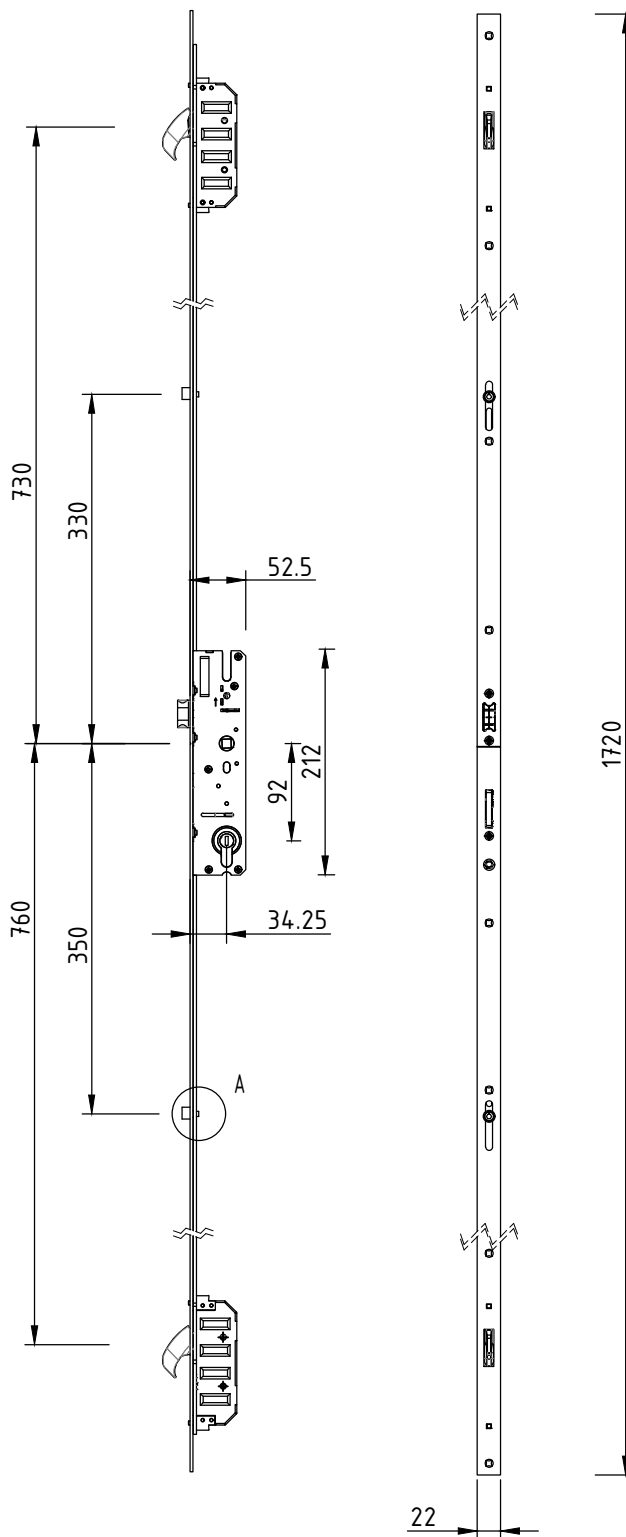
Način okretanja jezička brave
za desna i leva vrata
Doorlock setup - orientation
change for right and left doors



4 x sigurnosni
ekcentar
4 x safety eccentric pin

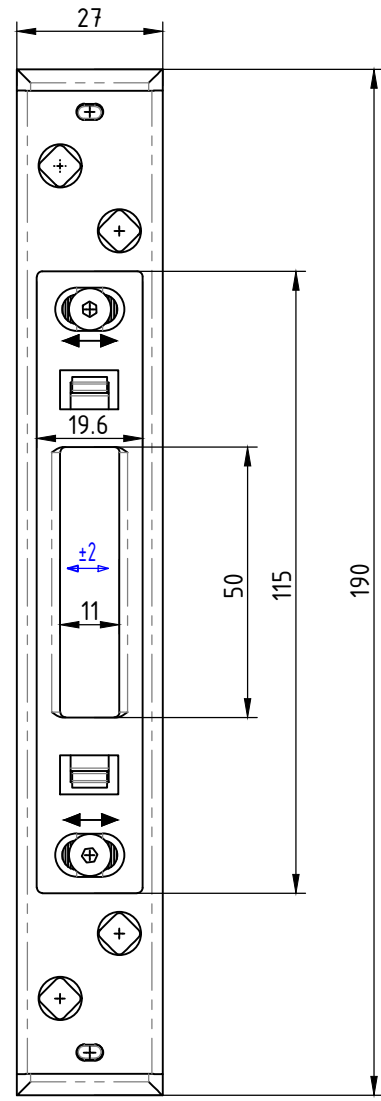
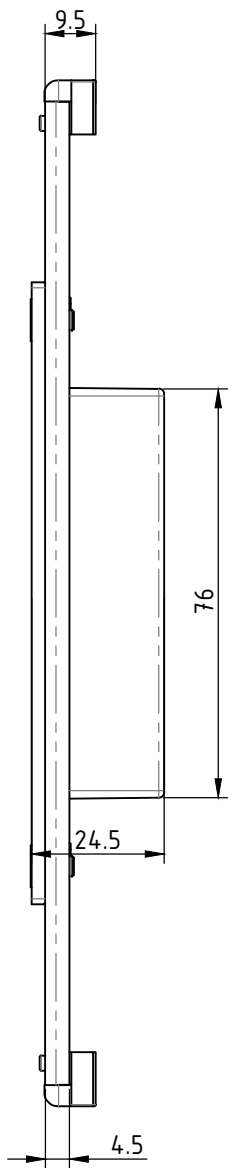
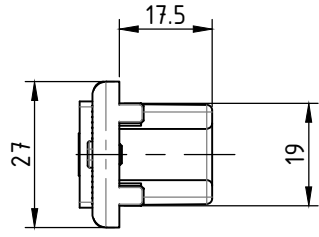




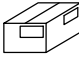


4 x ekcentar sa rolnicom
4 x roller eccentric pin



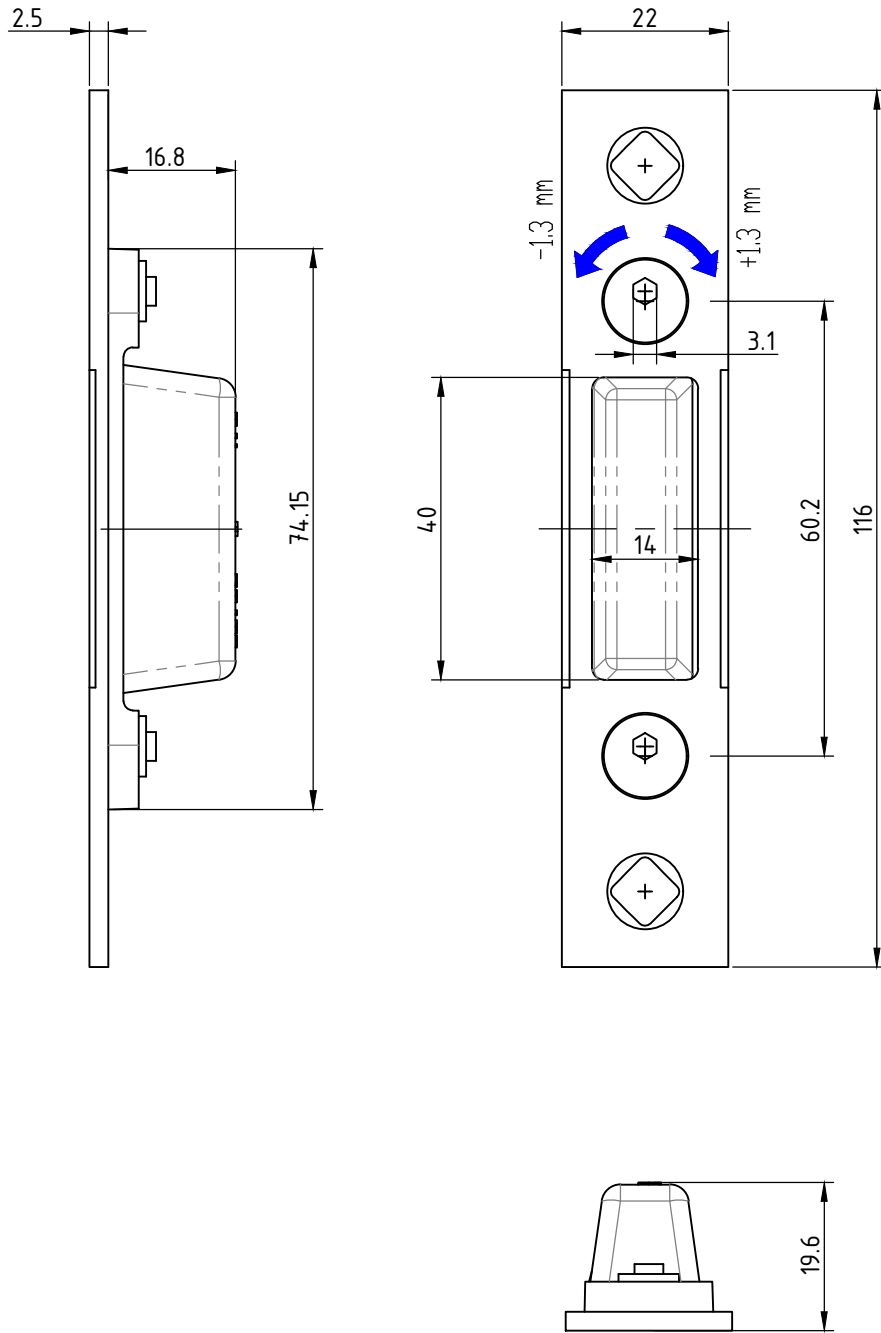
Poz Pos/Поз	Naziv Name/Название	L (mm)	Artikal Code/Код				kg	
	Petozativna brava za Al vrata 35/92 - ključ (kljun) Multylock 5 points door lock AL 35/92 - key (leather) Дверные замки 35/ 92 mm	1720	70945 70946		2	1/5	1.965 1.933	



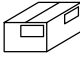

Okov za vrata
 Door fittings
 Дверная фурнитура

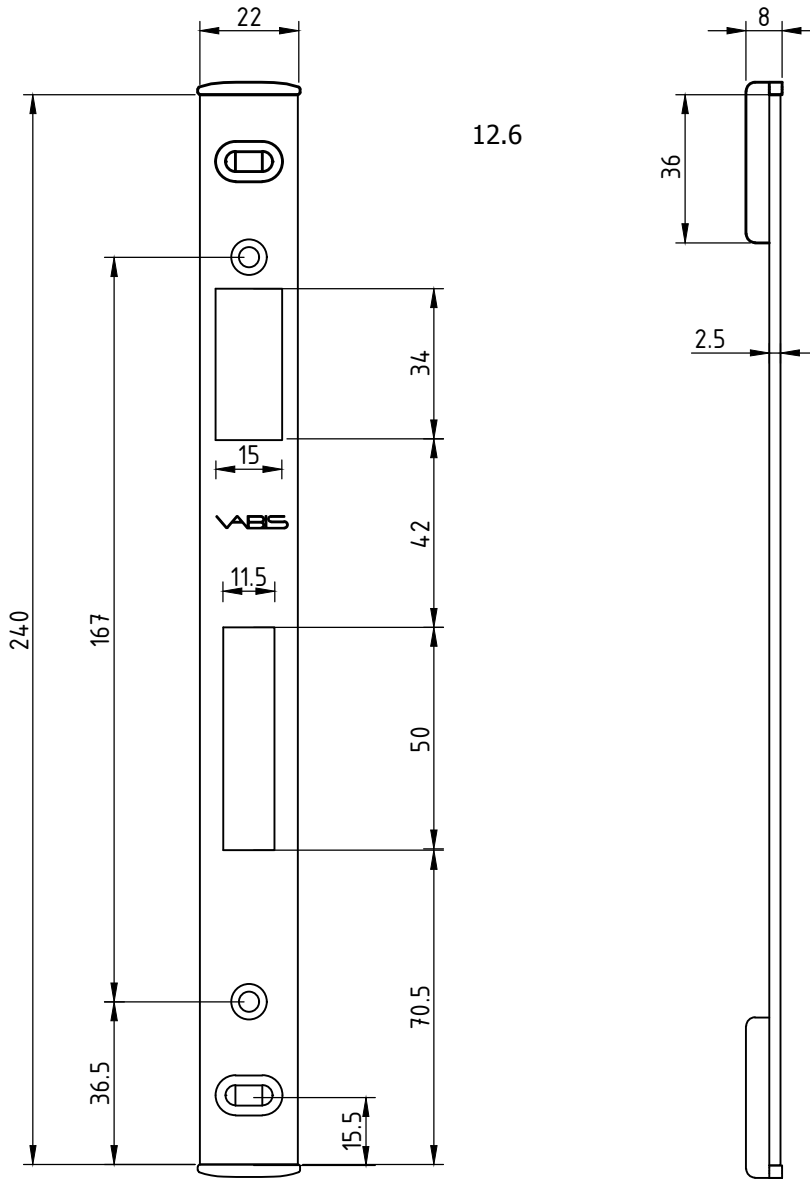


Poz Pos/Поз	Naziv Name/Название	L (mm)	Artikal Code/Код					
	Prihvatnik ploča brave na ključ sa kljunom/ Door lock striker for hooks/Встречные планки замка	190	70196	2	/	60	0.113	48 kut.

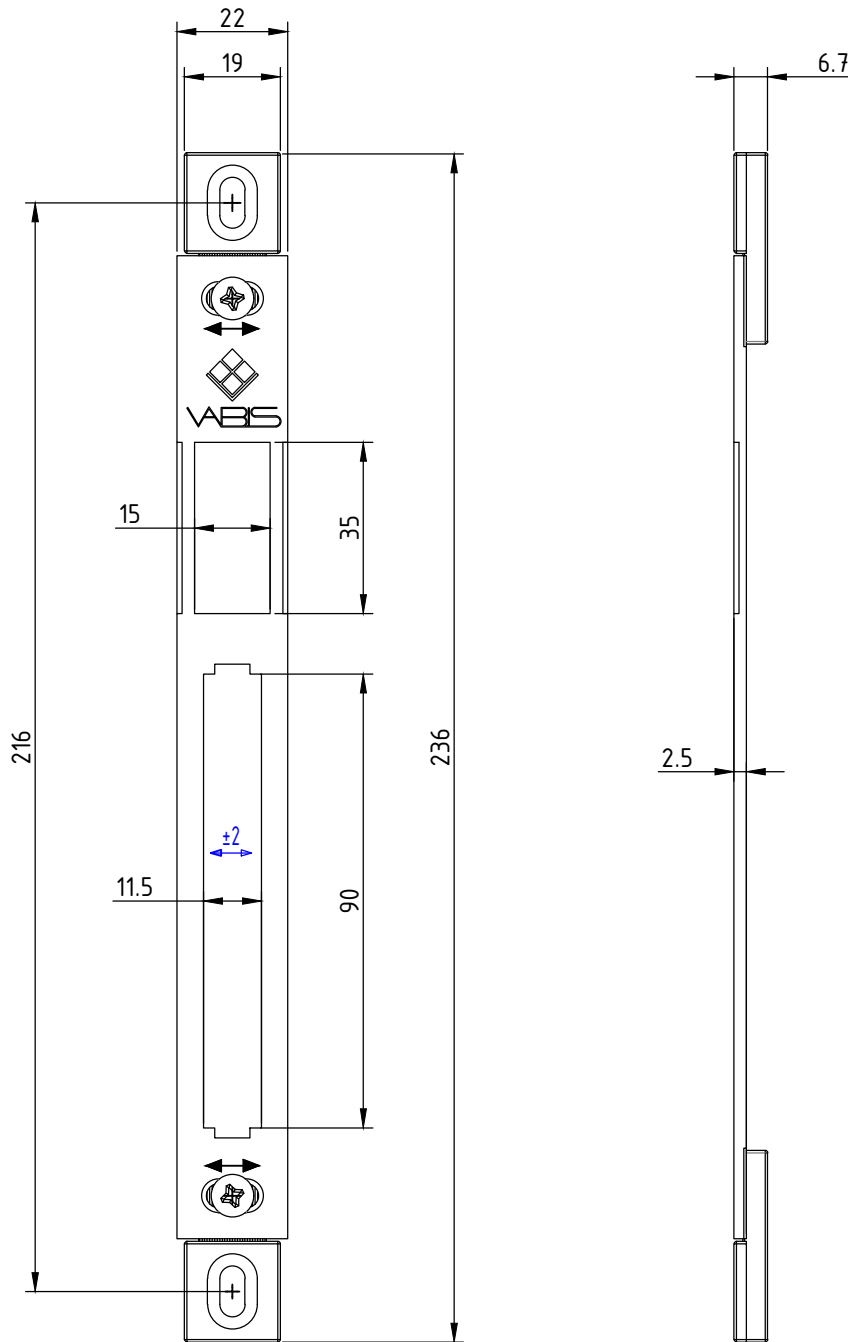
Okov za vrata
 Door fittings
 Дверная фурнитура



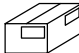




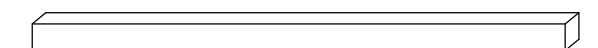
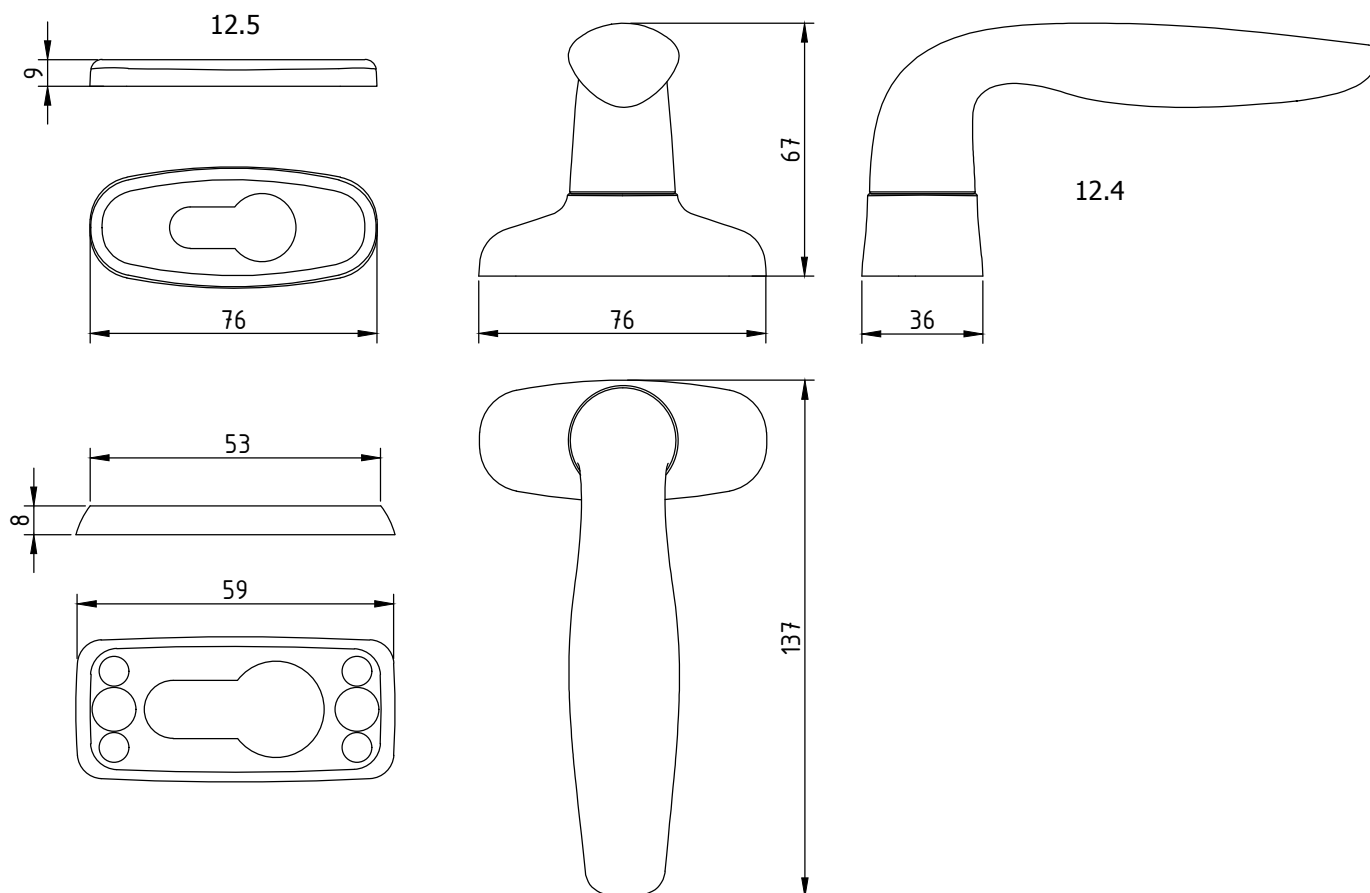
Poz Pos/Поз	Naziv Name/Название	L (mm)	Artikal Code/Код				kg	
	Prihvatna ploča brave na ključ sa jezičkom za Al/ Door lock striker for /Встречные планки замка	116	70195	2	/	60	0.060	48 kut.
	Prihvatna ploča brave na ključ sa jezičkom za Al inox/ Door lock striker for /Встречные планки замка	116	70194	2	/	60	0.060	48 kut.






Poz Pos/Поз	Naziv Name/Название	L (mm)	Artikal Code/Код				kg	
12.6	Prihvatnik brave za metalna vrata Door lock striker/Встречные планки замка	240	70170	2	/	1/100	0.077	48 kut.

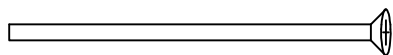


Naziv Name/Название	L (mm)	Artikal Code/Код					
Prihvatnik brave za jednokrilna vrata Pocinkovan Door lock striker/Встречные планки замка	236	70172	2	/	1/100	0.089	48 kut.
Prihvatnik brave za jednokrilna vrata Inox Door lock striker/Встречные планки замка	236	70174	2	/	1/100	0.089	48 kut.

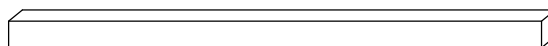


Četvrtka		za sve profile	1 kom
Quadrate	8x8x145	for all profiles	
Стержень стальной		для всех профилей	

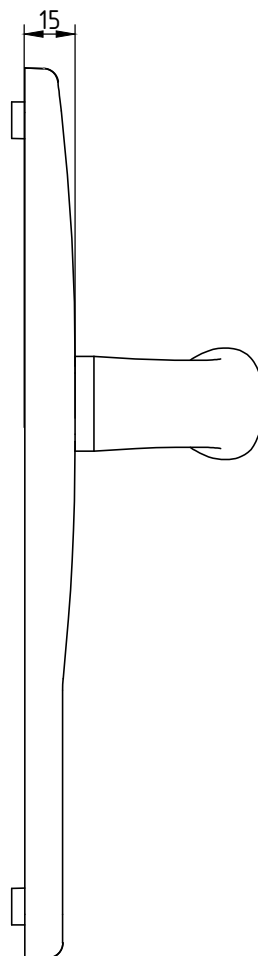
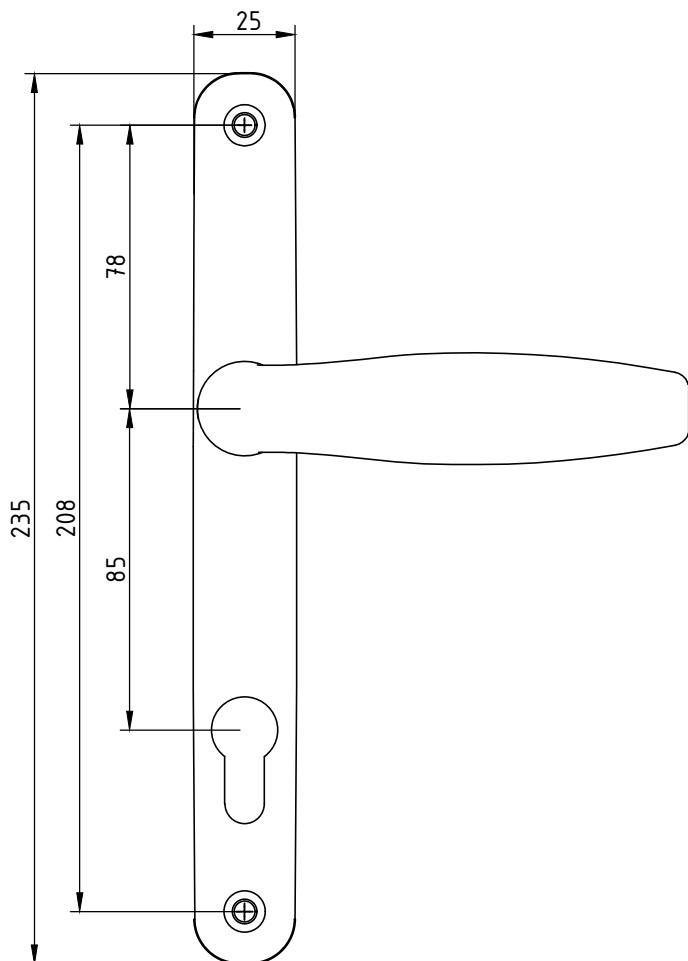
Poz Pos/Поз	Naziv Name/Название	Artikal Code/Код	Boja Color/Цвет			kg	
12.4	Kvaka za ulazna vrata Door handle Дверной защелки	80110-1	Bela, RAL 9016 White, RAL 9016/Белый, РАЛ 9016	2	20/1	0.448	48 kut.
		80110-7	Braon, RAL 8019 Brown, RAL 8019/Браун, РАЛ 8019	2	20/1	0.448	48 kut.
		80110-3	Siva, RAL 9006 Gray, RAL 9006/Серый, РАЛ 9006	2	20/1	0.448	48 kut.
		80110-4	Crna, RAL 9005 Black, RAL 9005/Черный, РАЛ 9005	2	20/1	0.448	48 kut.
12.5	Maska za cilindar brave Cylinder cap Накладка цилиндра замка	80410-1	Bela, RAL 9016 White, RAL 9016/Белый, РАЛ 9016	2	20/1	0.038	48 kut.
		80410-7	Braon, RAL 8019 Brown, RAL 8019/Браун, РАЛ 8019	2	20/1	0.038	48 kut.
		80410-3	Siva, RAL 9006 Gray, RAL 9006/Серый, РАЛ 9006	2	20/1	0.038	48 kut.
		80410-4	Crna, RAL 9005 Black, RAL 9005/Черный, РАЛ 9005	2	20/1	0.038	48 kut.



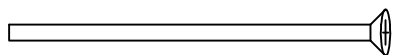
Zavrtanj	M5x90	za sve profile	2 kom
Screw		for all profiles	
Болт		для всех профилей	



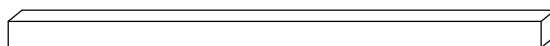
Četvrtka	8x8x145	za sve profile	1 kom
Quadrate		for all profiles	
Стержень стальной		для всех профилей	



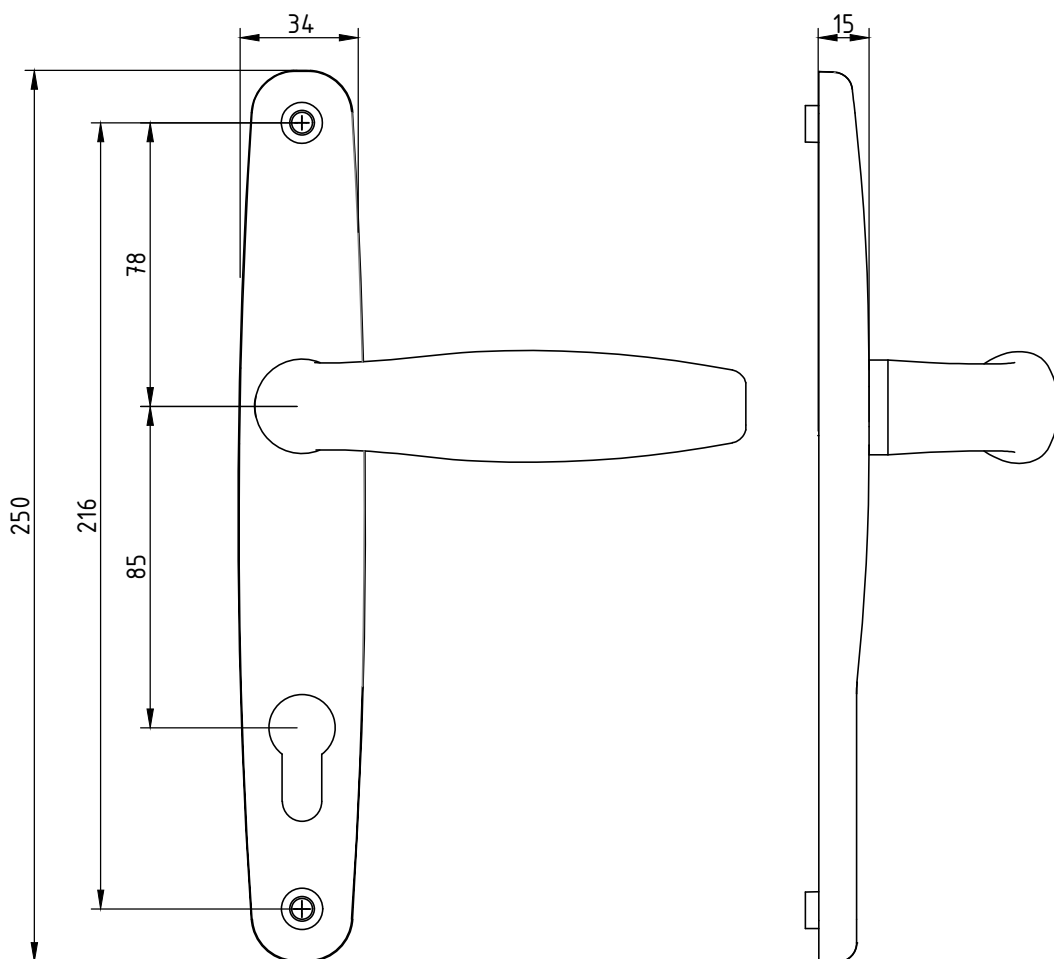
Poz Pos/Поз	Naziv Name/Название	Artikal Code/Код	Voja Color/Цвет			kg	
16.10	Квака за ulazna vrata 25/85 Door handle 25/85 Дверной защелки 25/85	80215-1	Bela, RAL 9016 White, RAL 9016/Белый, РАЛ 9016	4	20/1	0.494	48 kut.
		80215-7	Braon, RAL 8019 Brown, RAL 8019/Браун, РАЛ 8019	4	20/1	0.494	48 kut.
		80215-3	Siva, RAL 9006 Gray, RAL 9006/Серый, РАЛ 9006	4	20/1	0.494	48 kut.
		80215-4	Crna, RAL 9005 Black, RAL 9005/Черный, РАЛ 9005	4	20/1	0.494	48 kut.



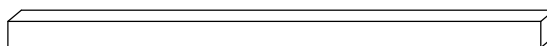
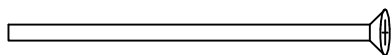
Zavrtanj	M5x90	za sve profile	2 kom
Screw		for all profiles	
Болт		для всех профилей	



Četvrtka	8x8x145	za sve profile	1 kom
Quadrate		for all profiles	
Стержень стальной		для всех профилей	

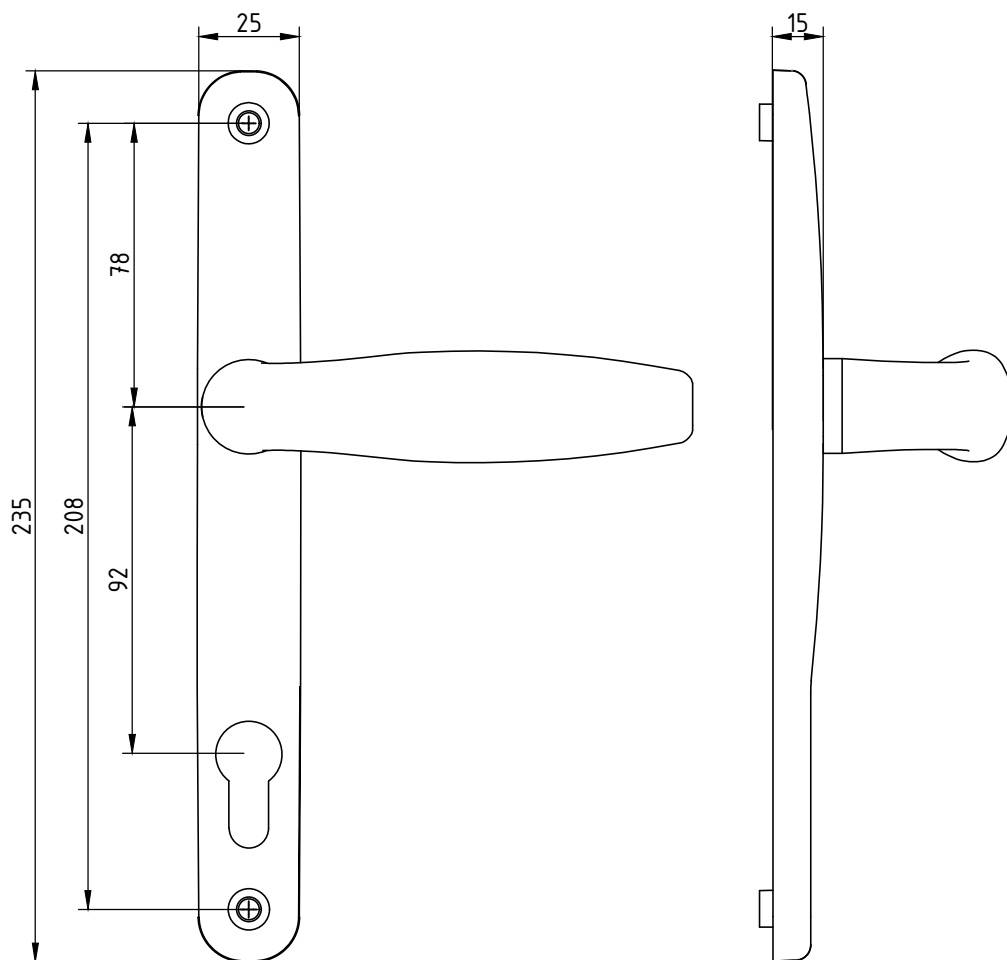





Poz Pos/Поз	Naziv Name/Название	Artikal Code/Код	Voja Color/Цвет			kg	
16.11	Квака за ulazna vrata 34/85 Door handle 34/85 Дверной защелки 34/85	80220-1	Bela, RAL 9016 White, RAL 9016/Белый, РАЛ 9016	2	15/1	0.640	48 kut.
		80220-7	Braon, RAL 8019 Brown, RAL 8019/Браун, РАЛ 8019	2	15/1	0.640	48 kut.
		80220-3	Siva, RAL 9006 Gray, RAL 9006/Серый, РАЛ 9006	2	15/1	0.640	48 kut.
		80220-4	Crna, RAL 9005 Black, RAL 9005/Черный, РАЛ 9005	2	15/1	0.640	48 kut.

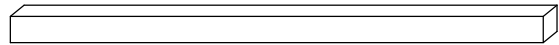
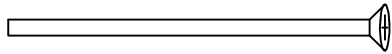


Zavrtanj	M5x90	za sve profile	2 kom
Screw		for all profiles	
Болт		для всех профилей	

Četvrtka	8x8x145	za sve profile	1 kom
Quadrate		for all profiles	
Стержень стальной		для всех профилей	

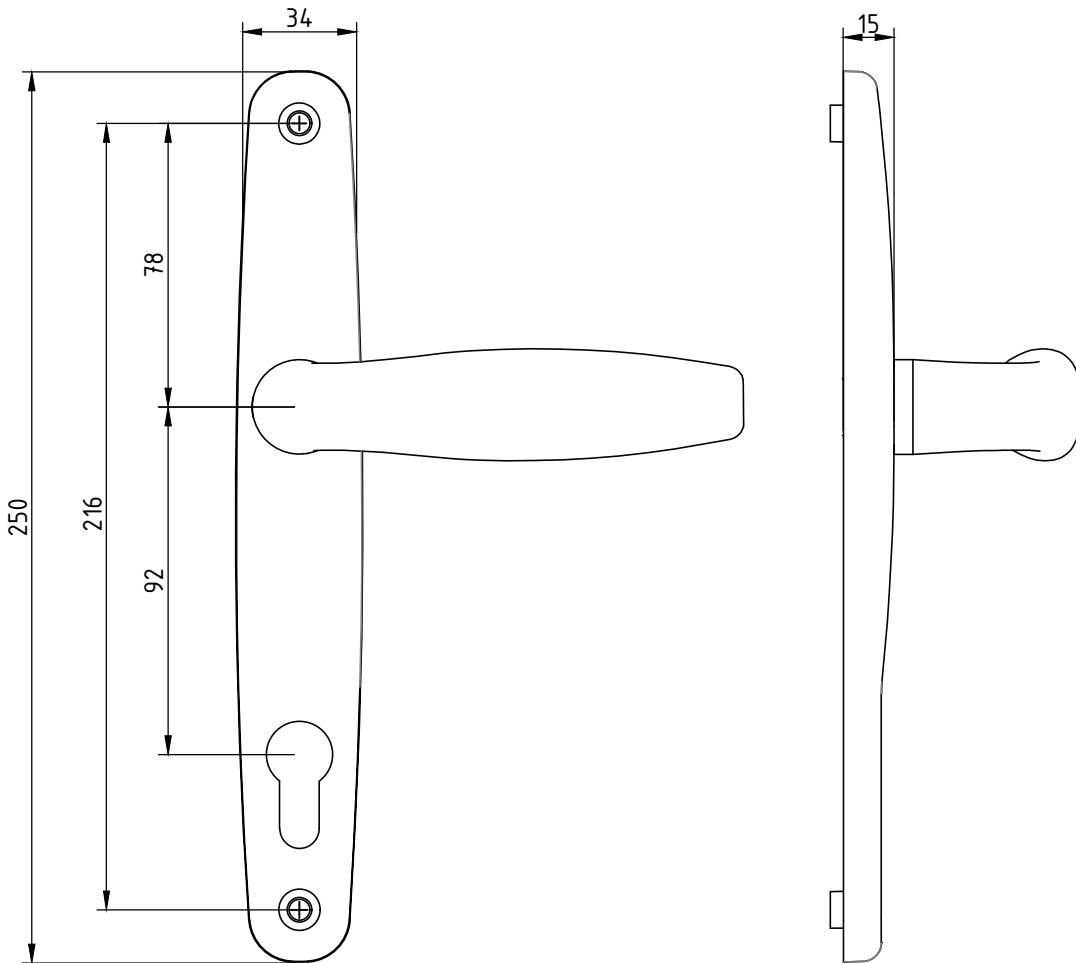


Poz Pos/Поз	Naziv Name/Название	Artikal Code/Код	Voja Color/Цвет			kg	
16.12	Квака за ulazna vrata 25/92 Door handle 25/92 Дверной защелки 25/92	80225-1	Bela, RAL 9016 White, RAL 9016/Белый, РАЛ 9016	2	20/1	0.500	48 kut.
		80225-7	Braon, RAL 8019 Brown, RAL 8019/Браун, РАЛ 8019	2	20/1	0.500	48 kut.
		80225-3	Siva, RAL 9006 Gray, RAL 9006/Серый, РАЛ 9006	2	20/1	0.500	48 kut.
		80225-4	Crna, RAL 9005 Black, RAL 9005/Черный, РАЛ 9005	2	20/1	0.500	48 kut.

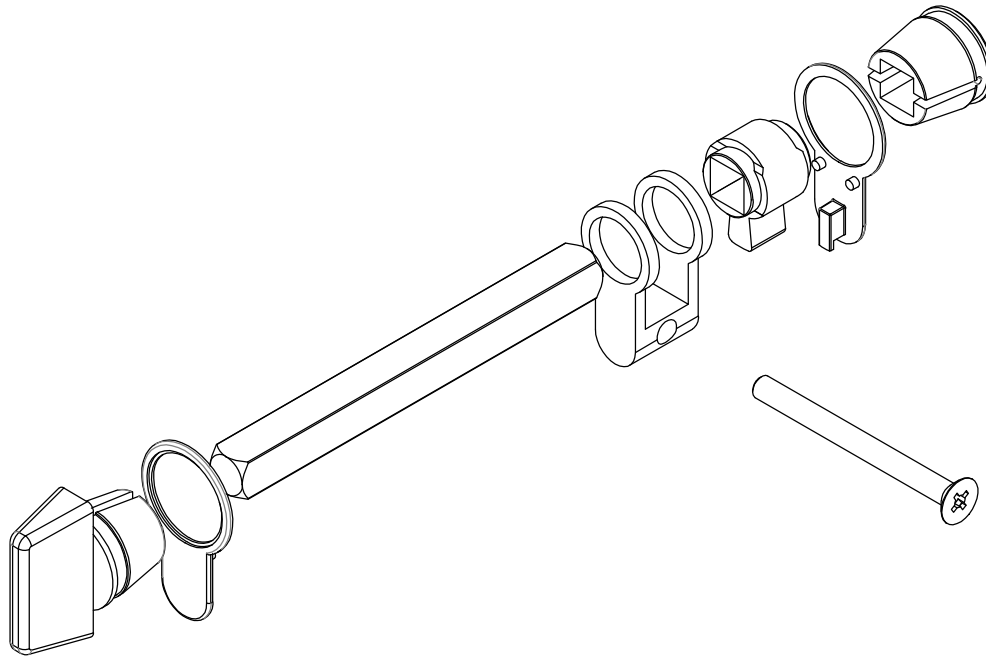






Zavrtanj	M5x90	za sve profile	2 kom
Screw		for all profiles	
Болт		для всех профилей	

Četvrtka	8x8x145	za sve profile	1 kom
Quadrate		for all profiles	
Стержень стальной		для всех профилей	

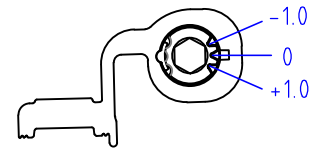
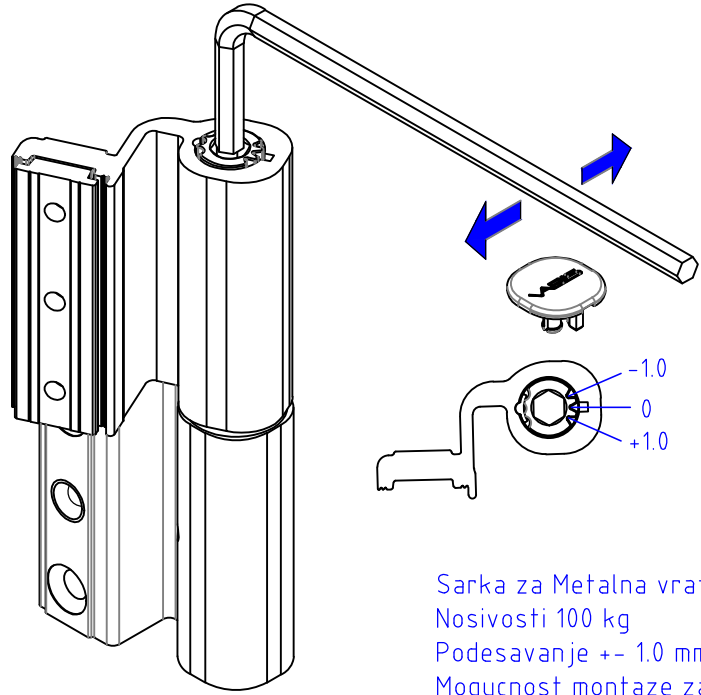
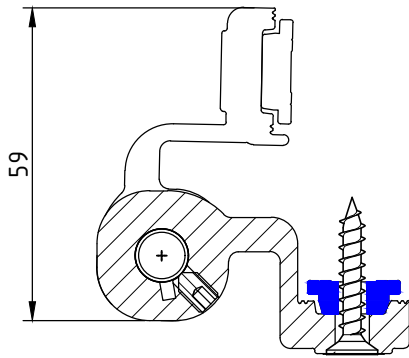


Poz Pos/Поз	Naziv Name/Название	Artikal Code/Код	Voja Color/Цвет			kg	
16.13	Квака за ulazna vrata 34/92 Door handle 34/92 Дверной защелки 34/92	80230-1	Bela, RAL 9016 White, RAL 9016/Белый, РАЛ 9016	2	15/1	0.643	48 kut.
		80230-7	Braon, RAL 8019 Brown, RAL 8019/Браун, РАЛ 8019	2	15/1	0.643	48 kut.
		80230-3	Siva, RAL 9006 Gray, RAL 9006/Серый, РАЛ 9006	2	15/1	0.643	48 kut.
		80230-4	Crna, RAL 9005 Black, RAL 9005/Черный, РАЛ 9005	2	15/1	0.643	48 kut.



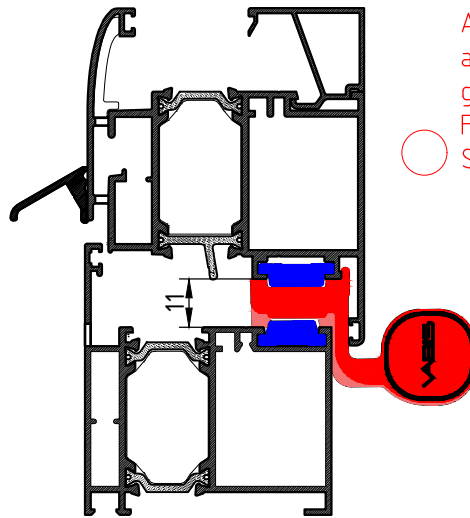
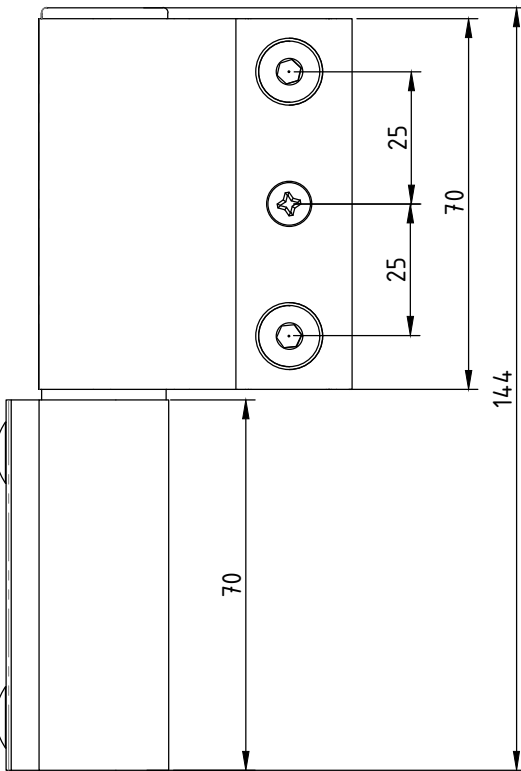
Poz Pos/Поз	Naziv Name/Название	Artikal Code/Код	Boja Color/Цвет				
		80505-1	Bela, RAL 9016 White, RAL 9016/Белый, РАЛ 9016	1	100/1	0.093	48 kut.
		80505-7	Braon, RAL 8019 Brown, RAL 8019/Браун, РАЛ 8019	1	100/1	0.093	48 kut.
		80505-3	Siva, RAL 9006 Gray, RAL 9006/Серый, РАЛ 9006	1	100/1	0.093	48 kut.
		80505-4	Crna, RAL 9005 Black, RAL 9005/Черный, РАЛ 9005	1	100/1	0.093	48 kut.

Квака за ulazna vrata 34/92
 Door handle 34/92
 Дверной защелки 34/92



Sarka za Metalna vrata
 Nosivosti 100 kg
 Podesavanje +/- 1.0 mm
 Mogucnost montaze za skoro
 sve Al.profile sa zlebom za okov
 Za leva i desna vrata
 Standardna varijanta

Hinge for Metal door
 Load - 100 kg
 Adjustable +/- 1.0 mm
 Available for almost every
 aluminium sections with clamp
 groove
 For left and right doors
 Standard variant



Nosivost 100 kg - isporucuje se u delovima

Poz Pos/Поз	Naziv Name/Название	Artikal Code/Код	Boja Color/Цвет			kg	
Dvodelna šarka za Al vrata 100 kg Two part hinge for Al door 100 kg	60100-1	Bela, RAL 9016 White, RAL 9016/Белый, РАЛ 9016	6	12/1	0.400	240	
	60100-7	Braon, RAL 8019/Brown, RAL 8019/Браун, РАЛ 8019	6	12/1	0.400	240	
	60100-3	Siva, RAL 9006 Gray, RAL 9006/Серый, РАЛ 9006	6	12/1	0.400	240	
	60100-4	Crna, RAL 9005 Black, RAL 9005/Черный, РАЛ 9005	6	12/1	0.400	240	



**VABIS D.O.O., ul Tihomira Djordjevića bb, Aleksinac - www.vabis.co.rs - office@vabis.co.rs
Tel. +381 (0)18 804 007, 800 009 Fax: +381 (0)18 800 008
GPS - N 43 33' 2,61" E - 21 41' 25,33"**